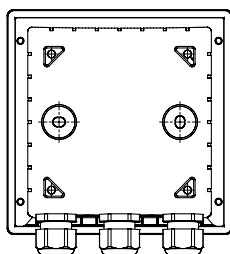
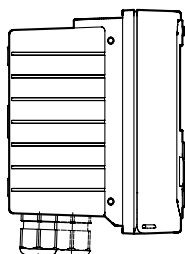
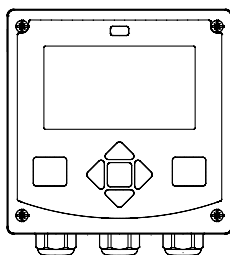
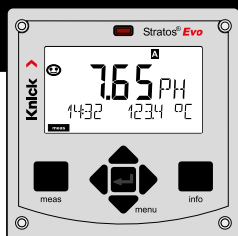


Stratos Evo A402



Quickstart guide3



Kurzübersicht.....47



Instructions succinctes..91



Início rápido135



Other languages: www.knick.de

Stratos Evo is a 4-wire analyzer for process analysis applications.

The analyzer comes as basic device for measurement with digital sensors

(Memosens, optical oxygen measurement, inductive conductivity measurement).

All measuring functions are stored in an internal memory. You select a measuring function to configure the analyzer for a specific measuring task. Additional measuring modules can be connected to allow measurement with analog sensors.

The Model A402B allows applications in hazardous-area Zone 2.

Current is provided through a universal power supply 80 ... 230 V AC, 45 ... 65 Hz / 24 ... 60 V DC. The analyzer provides two 0 (4) ... 20 mA current outputs for transmission of measured value and temperature, for example. Four floating relay contacts are available for free configuration. A PID controller and a time-controlled cleaning function can be configured. Two parameter sets are provided. You can externally switch between them via the Control input, for example. The HOLD input allows setting the HOLD mode from the outside. The analyzer also provides power supply and allows signal processing for additional transmitters, e.g., for flow monitoring.

You can select one of the following measuring functions:

- pH
- ORP
- Oxygen
- Oxygen, optical
- Conductivity measurement (conductive/inductive)
- Dual conductivity measurement using two analog sensors
- Dual measurement of pH/pH and pH/Oxy using two Memosens sensors

Enclosure and mounting possibilities

- The sturdy molded enclosure is rated IP 67/NEMA 4X outdoor.

Material of front unit: PBT, rear unit: PC.

Dimensions: H 148 mm, W 148 mm, D 117 mm.

It is provided with knockouts for:

- panel mounting (138 mm x 138 mm cutout to DIN 43700)
- wall mounting (with sealing plugs to seal the enclosure)
- post/pipe mounting (dia. 40 ... 60 mm, □ 30 ... 45 mm)

Connection of sensors, cable glands

For connecting the cables, the enclosure provides

- 3 knockouts for cable glands M20x1.5
- 2 knockouts for NPT 1/2" or rigid metallic conduit

Display

Plain-text messages in a large, backlit LC display allow intuitive operation. You can specify which values are to be displayed in standard measuring mode ("Main Display").

Color-coded user interface

The colored display backlighting signals different operating states (e.g., alarm: red, HOLD mode: orange).

Diagnostics functions

Diagnostics functions are provided by the "Sensocheck" automatic monitoring of glass and reference electrode and the "Sensoface" function for clear indication of the sensor condition.

Data logger

The internal logbook (additional function, TAN SW-A002) can handle up to 100 entries – up to 200 with AuditTrail (additional function, TAN SW-A003).

2 parameter sets A/B

The device provides two parameter sets which can be switched manually or via a control input for different process adaptations or different process conditions. For an overview of parameter sets (original for copy), refer to the CD or www.knick.de.

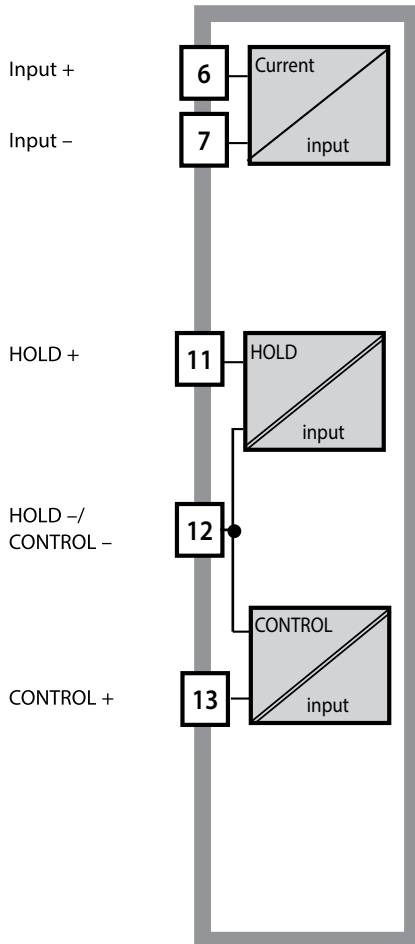
Password protection

Password protection (passcode) for granting access rights during operation can be configured.

Automatic calibration with Calimatic

You can choose from the most commonly used pH buffer solutions. In addition, you can enter an individual pH buffer set.

Control inputs



I input

The analog (0) 4 ... 20 mA current input can be used for external pressure or temperature compensation (TAN required).

HOLD

(floating digital control input)

The HOLD input can be used for external activation of the HOLD mode.

CONTROL

(floating digital control input)

The CONTROL input can be used either for parameter set selection (A/B) or for flow monitoring. The "Wash" contact can be used for indicating the active parameter set.

Power supply

Current is provided through a universal power supply 80 ... 230 V AC, 45 ... 65 Hz / 24 ... 60 V DC.

Options

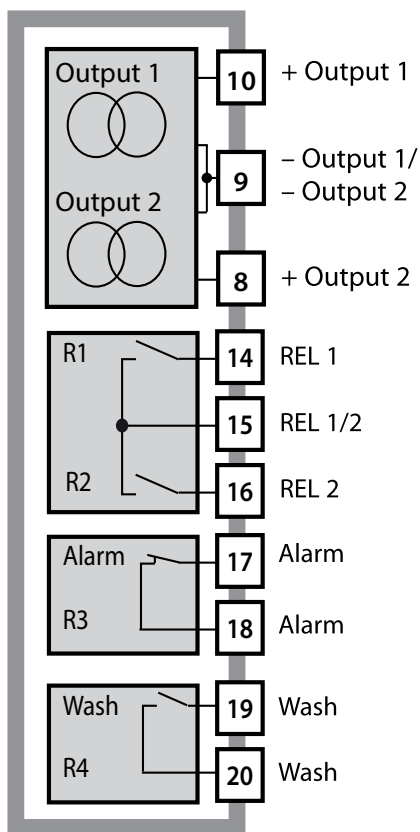
Additional functions can be activated by entering a TAN.

Signal outputs

The analyzer provides two 0 (4) ... 20 mA current outputs for transmission of measured value and temperature, for example.

Relay contacts

Four floating relay contacts are available.



Current outputs

The floating current outputs (0) 4 ... 20 mA are used for transmitting measured values. An output filter can be programmed, the fault current value can be specified.

Relay contacts

2 relay contacts for limit values. Adjustable for the selected process variable: hysteresis, switching behavior (MIN/MAX limit), contact type (N/O, N/C) and delay.

Alarm

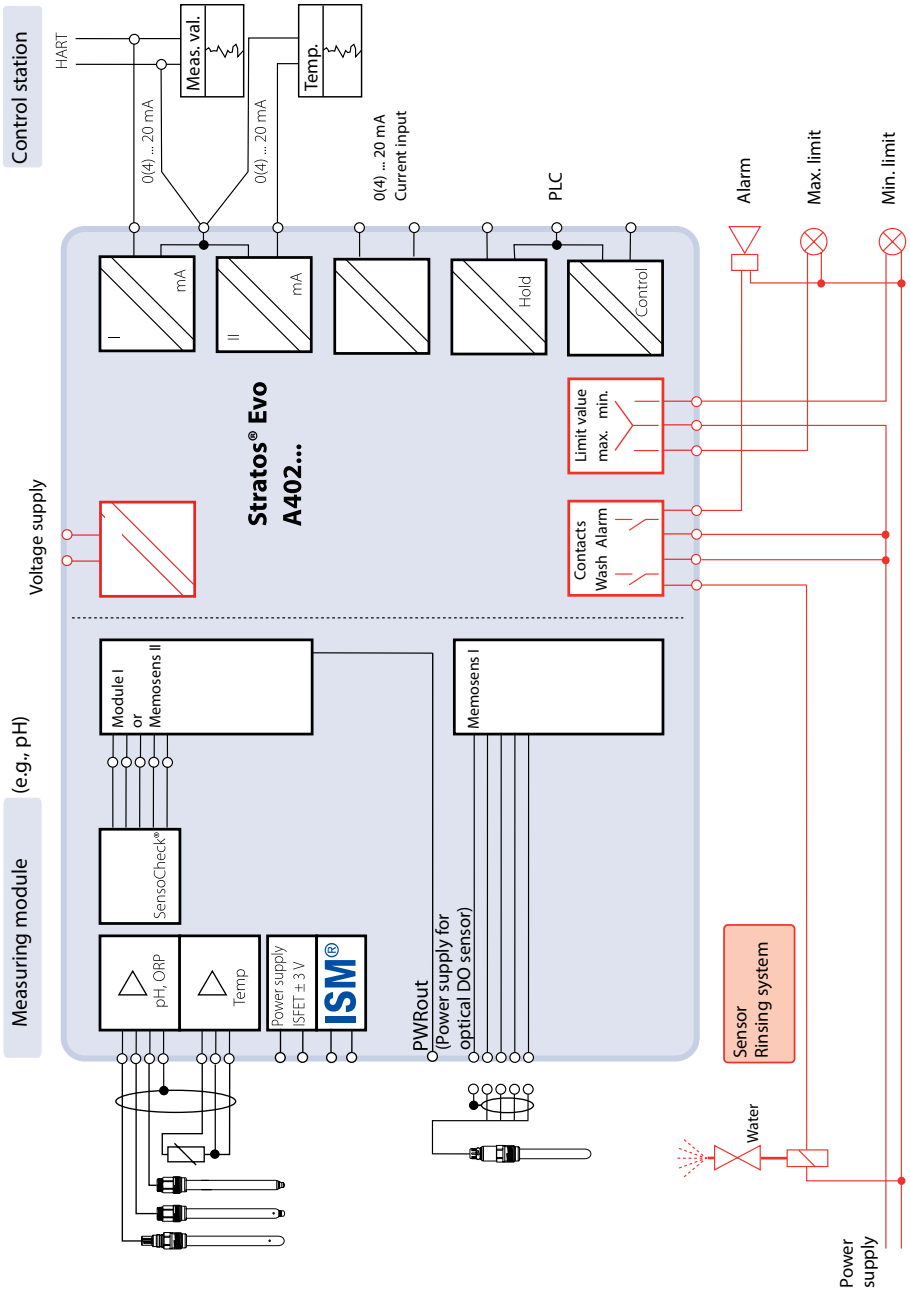
An alarm can be generated by Sensocheck, flow monitoring or current failure.

Wash (cleaning function)

This contact can be used for controlling a rinsing probe or for indicating the active parameter set.

PID controller

Configurable as pulse length or pulse frequency controller.



Package Contents

Check the shipment for transport damage and completeness.

The package should contain:

Front unit, rear unit, bag containing small parts

Specific test report

Documentation

CD-ROM

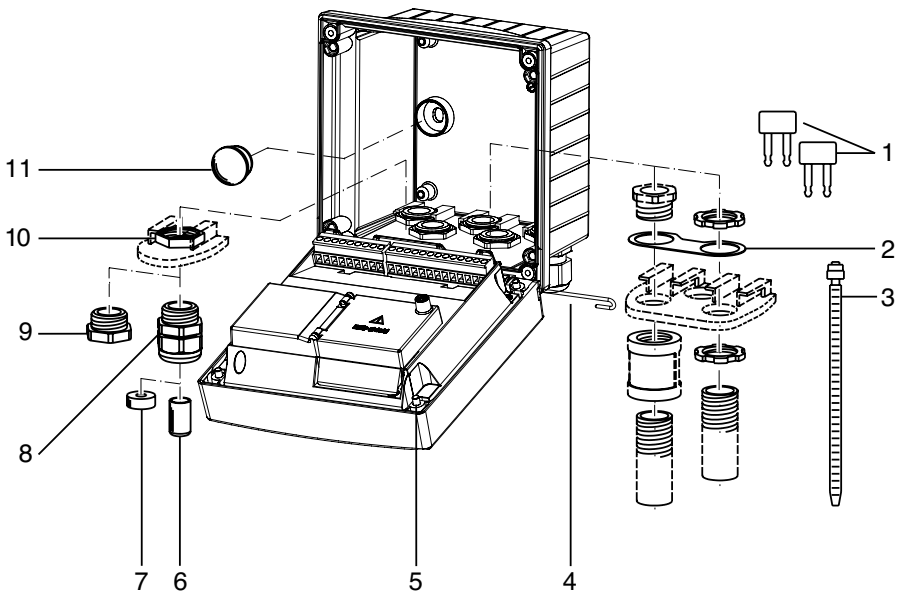
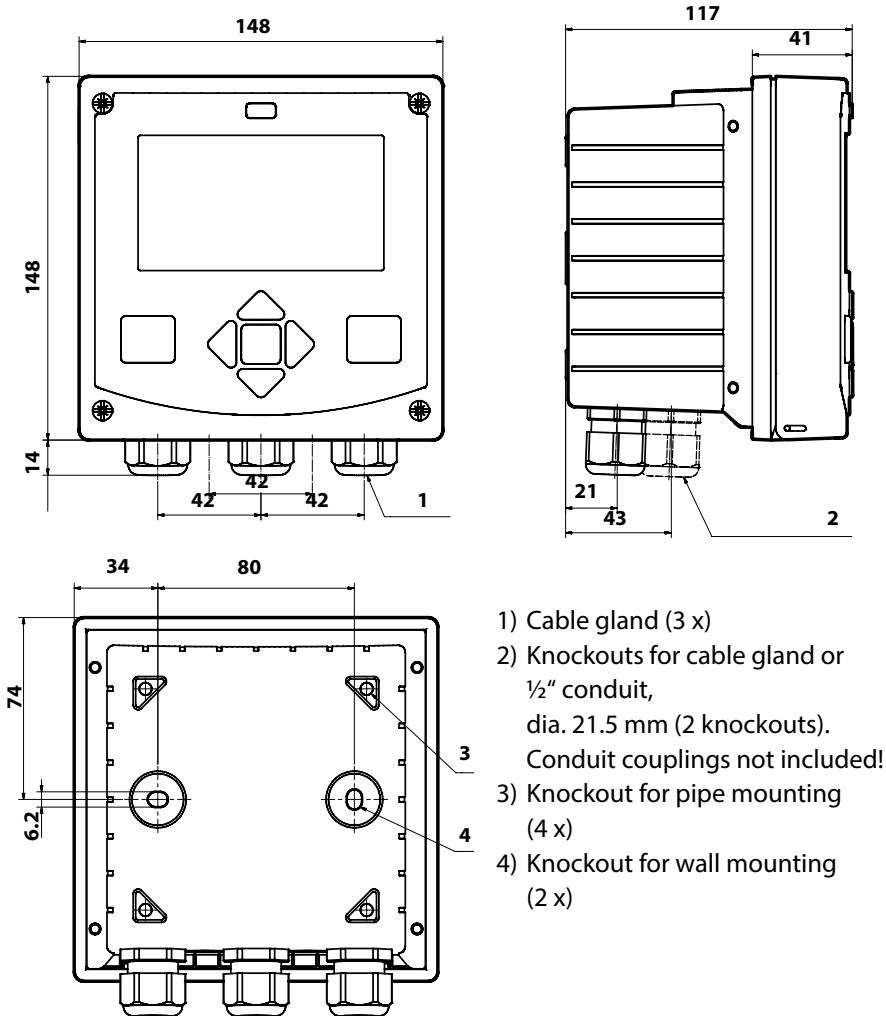


Fig.: Assembling the enclosure

- | | |
|--|--|
| 1) Jumper (3 x) | 6) Sealing insert (1 x) |
| 2) Washer (1 x), for conduit mounting:
Place washer between enclosure and nut | 7) Rubber reducer (1 x) |
| 3) Cable tie (3 x) | 8) Cable gland, M20x1.5 (3 x) |
| 4) Hinge pin (1 x), insertable from either side | 9) Filler plug (3 x) |
| 5) Enclosure screw (4 x) | 10) Hexagon nut (5 x) |
| | 11) Sealing plug (2 x), for sealing in case of wall mounting |

Mounting Plan, Dimensions



All dimensions in mm

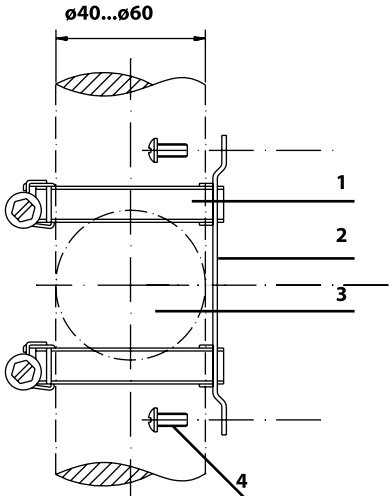
Mounting Accessories

Pipe-mount kit, accessory ZU 0274

Protective hood for wall and pipe mounting, accessory ZU 0737

Panel-mount kit, accessory ZU 0738

Pipe Mounting, Protective Hood



- 1) Hose clamp with worm gear drive to DIN 3017 (2 x)
- 2) Pipe-mount plate (1 x)
- 3) For vertical or horizontal posts or pipes
- 4) Self-tapping screw (4 x)

Fig.: Pipe-mount kit, accessory ZU 0274

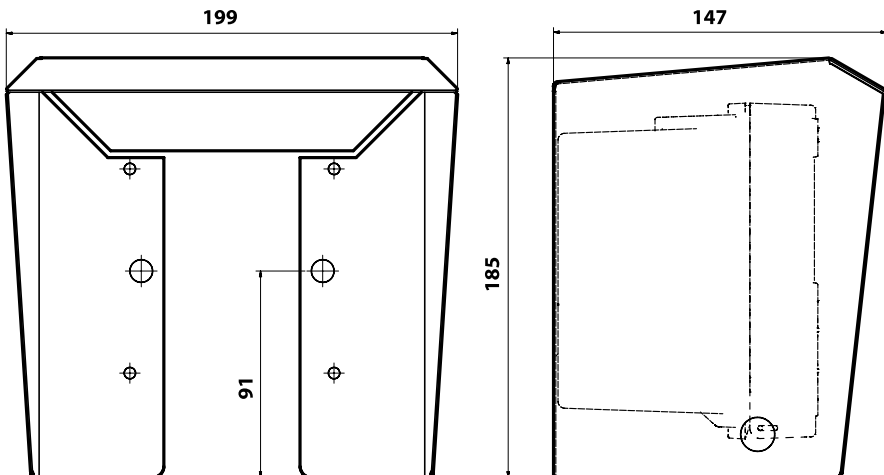
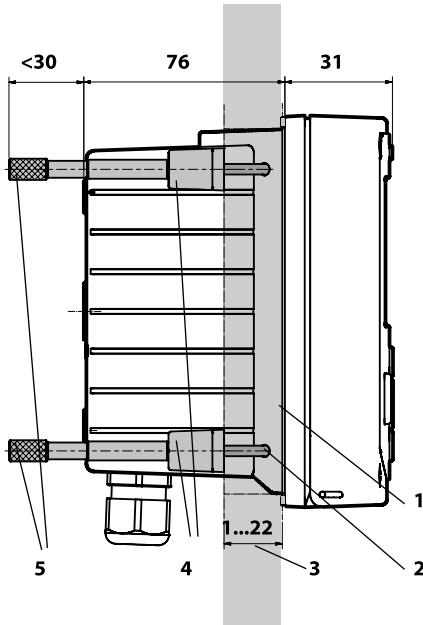


Fig.: Protective hood for wall and pipe mounting, accessory ZU 0737

Panel Mounting



- 1) Circumferential sealing (1 x)
- 2) Screws (4 x)
- 3) Position of control panel
- 4) Span piece (4 x)
- 5) Threaded sleeve (4 x)

Cutout
138 x 138 mm (DIN 43700)

Fig.: Panel-mount kit, accessory ZU 0738

All dimensions in mm

For connection of analog sensors:
 Insert interchangeable module
 (measuring module)

Memosens

RS 485 A

RS 485 B

GND/Shield

PWR out

Power output
 3.1/12/15/24V 1 W

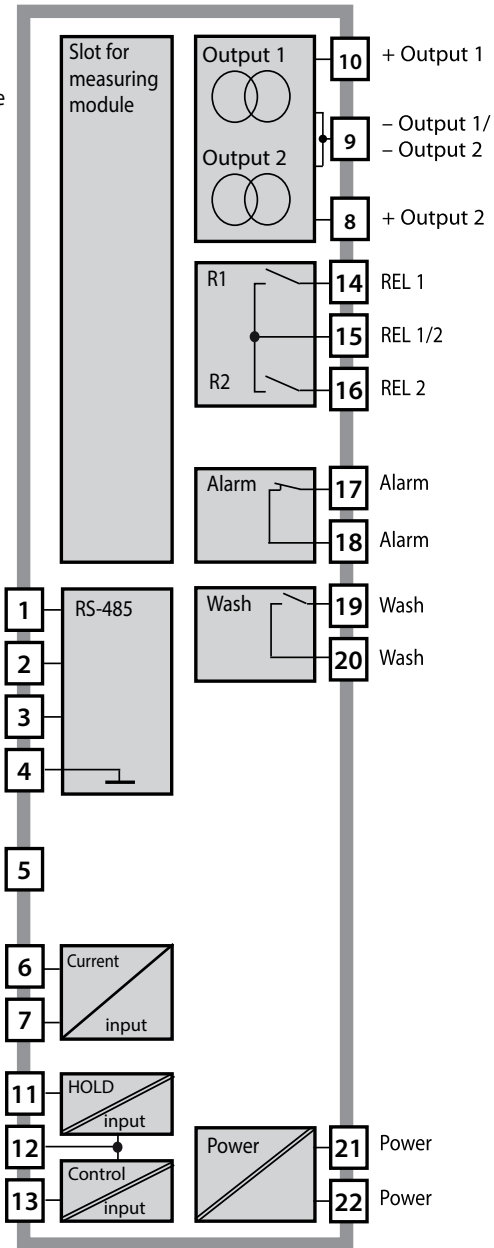
Input +

Input -

HOLD +

HOLD -/
 CONTROL -

CONTROL +



Power Supply

Connect the power supply for Stratos Evo to terminals 21 and 22
(24 ... 230 V AC, 45 ... 65 Hz / 24 ... 80 V DC)

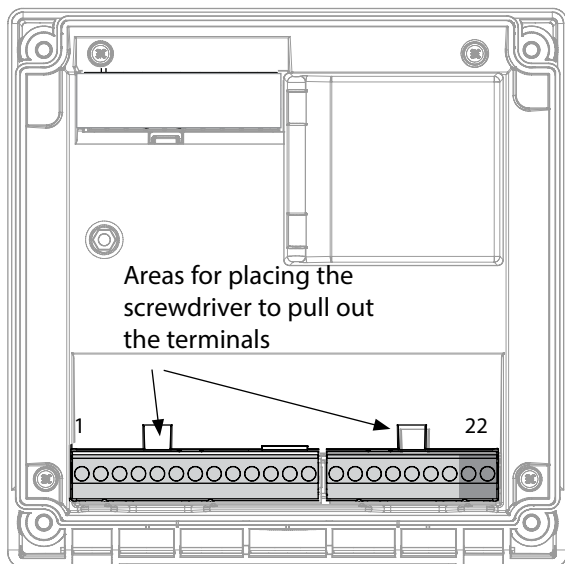


Figure:
Terminals, device opened,
back of front unit

Connecting the Memosens Sensor

Connect the Memosens sensor to the RS-485 interface of the device.

Then select the measuring function. (When you change to another sensor type, you can change the measuring function in the "Service" menu.)

When you select the sensor in the Configuration menu, the calibration data are read from the sensor. They can later be modified by calibration.

Terminal assignments

Memosens connection

1 (BN)	+3 V	Brown
2 (GN)	RS 485 A	Green
3 (YE)	RS 485 B	Yellow
4 (WH)	GND/shield	White / Shield

5 Power Out

6 + input

7 - input

Current outputs OUT1, OUT2

8 + Out 2

9 - Out 2 / - Out 1 / HART

10 + Out 1 / HART

11 HOLD

12 HOLD / Control

13 Control

Relay contacts REL1, REL2

14 REL 1

15 REL 1/2

16 REL 2

17 alarm

18 alarm

19 wash

20 wash

Power supply

21 power

22 power

Installation Instructions

- Installation of the device must be carried out by trained experts in accordance with this user manual and as per applicable local and national codes.
- Be sure to observe the technical specifications and input ratings during installation!
- Be sure not to notch the conductor when stripping the insulation!
- Before connecting the device to the power supply, make sure that its voltage lies within the range 80 to 230 V AC/DC or 24 to 60 V DC.
- A signal current supplied to the current input must be galvanically isolated. If not, connect an isolator module.
- All parameters must be set by a system administrator prior to commissioning.

Terminals

suitable for single or stranded wires up to 2.5 mm² (AWG 14)

Application in Hazardous Locations

For use in hazardous locations, see separate document:

Safety Instructions

Installation and Use in

Hazardous Locations

(shipped with hazardous-area devices only)

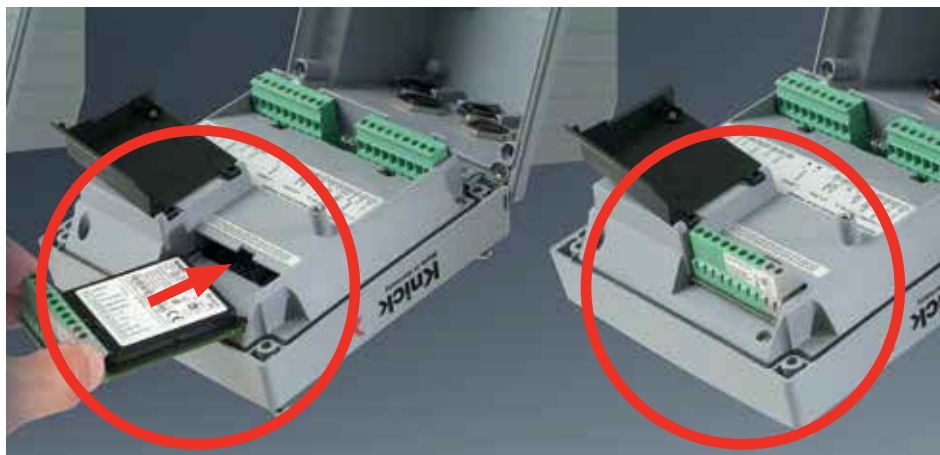
Start-Up

Upon initial start-up, the analyzer automatically recognizes a connected module and adjusts the software correspondingly. When you replace the measuring module, you must select the corresponding measuring function in the “Service” menu.

This does not apply to the multi-channel module for dual conductivity measurement and to the connection of Memosens sensors. Here, you will be prompted to select the desired measuring function upon first start-up.

Changing the Measuring Function

In the “Service” menu you can select another measuring function at any time.



Measuring modules for connection of analog pH sensors:

The measuring module for the connection of analog pH sensors is simply inserted into the module slot. Upon initial start-up, the analyzer automatically recognizes the module and adjusts the software correspondingly. When you replace the measuring module, you must select the corresponding measuring function in the "Service" menu.

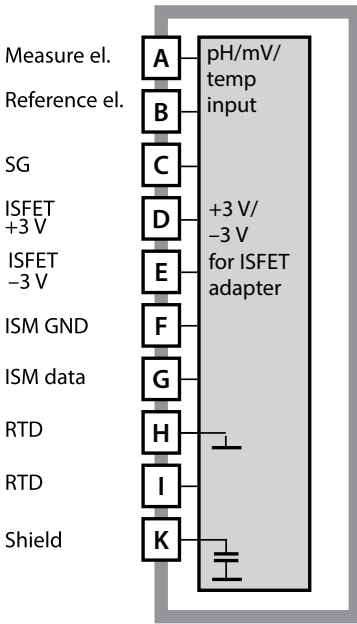
Measuring module for 2nd Memosens channel

If you want to measure two process variables using Memosens sensors, you must insert a Memosens module for the second channel. The operating mode for multi-channel measurement ("device type") must be selected in the configuration menu.

The following combinations are possible:

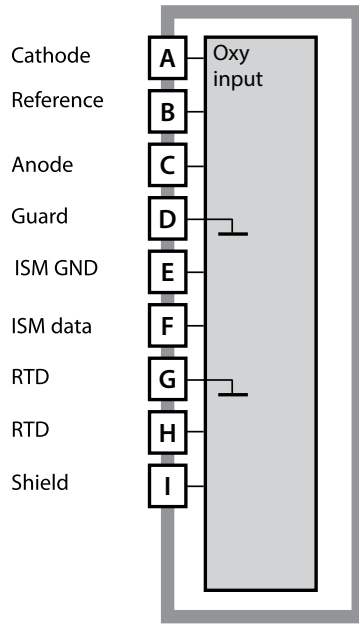
Memosens pH + Memosens pH

Memosens pH + Memosens Oxy



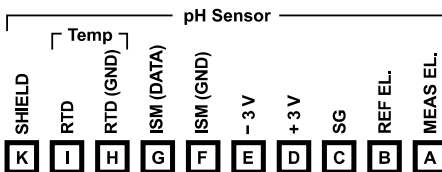
Module for pH measurement

Order code MK-PH015
 For wiring examples, see documentation CD or www.knick.de.



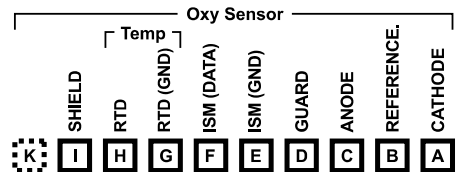
Module for DO measurement

Order code MK-OXY045
 For wiring examples, see documentation CD or www.knick.de.



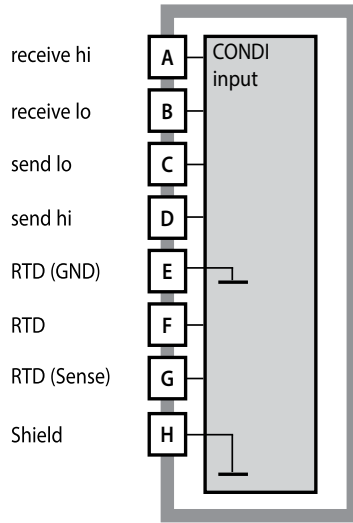
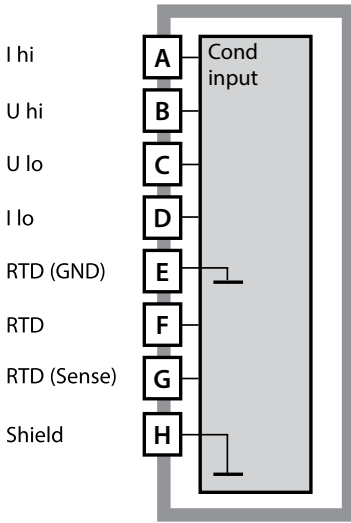
Terminal plate of pH module

The terminals are suitable for single or stranded wires up to 2.5 mm² (AWG 14).



Terminal plate of DO module

The terminals are suitable for single or stranded wires up to 2.5 mm² (AWG 14).



Module for contacting conductivity measurement (COND)

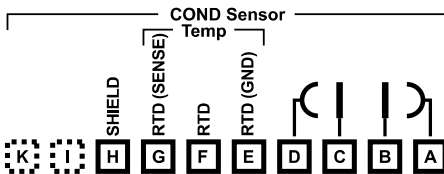
Order code MK-COND025

For wiring examples, see documentation CD or www.knick.de.

Module for electrodeless conductivity measurement (CONDI)

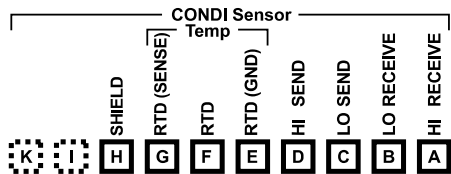
Order code MK-CONDI035

For wiring examples, see documentation CD or www.knick.de.



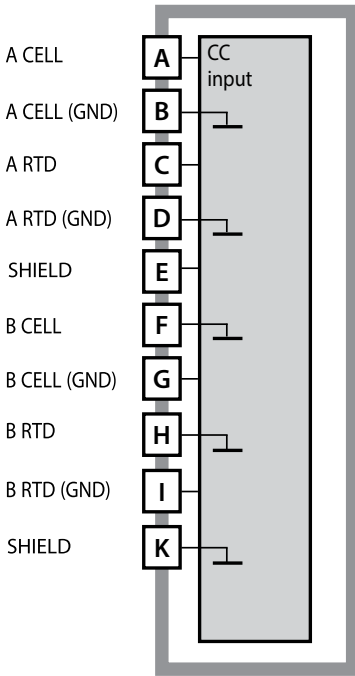
Terminal plate of COND module

The terminals are suitable for single or stranded wires up to 2.5 mm² (AWG 14).



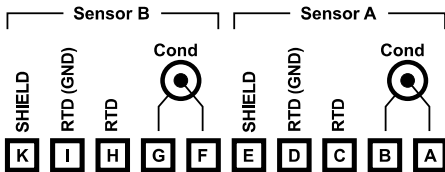
Terminal plate of CONDI module

The terminals are suitable for single or stranded wires up to 2.5 mm² (AWG 14).



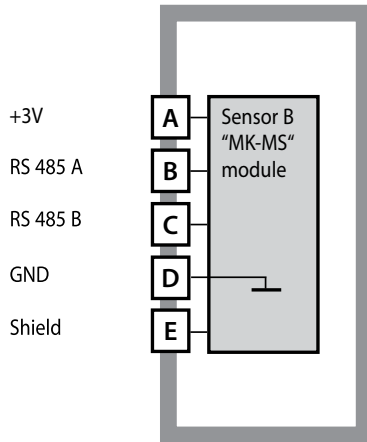
Module for 2 x conductivity measurement

Order code MK-CC065 (not Ex!)
 For wiring examples, see documentation CD or www.knick.de.



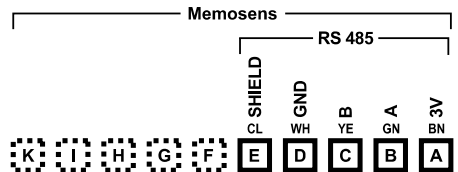
Terminal plate for 2 x conductivity measurement

The terminals are suitable for single or stranded wires up to 2.5 mm² (AWG 14).



Module for 2nd Memosens channel

Order code MK-MS095
 For wiring examples, see documentation CD or www.knick.de.



Terminal plate for 2nd Memosens channel

The terminals are suitable for single or stranded wires up to 2.5 mm² (AWG 14).

Start-Up

When you start up the analyzer for the first time, you will be prompted to select the desired measurement procedure (a connected Memosens sensor will not be identified automatically).

Changing the Measuring Function

In the "Service" menu you can select another measuring function at any time.

Calibration and Maintenance in the Lab

The "MemoSuite" software allows calibrating Memosens sensors under reproducible conditions at a PC in the lab. The sensor parameters are registered in a database. Documenting and archiving meet the demands of FDA CFR 21 Part 11. Detailed reports can be output as csv export for Excel. MemoSuite is available as accessory and comes in the versions "Basic" and "Advanced": www.knick.de.

Settings and specifications

Connected sensor: sensor type, manufacturer, order code and serial number

Function selection: The selected function is highlighted.

Connected sensor: sensor type, manufacturer, order code and serial number, measuring point and tag number

Last adjustment

You can magnify a measured-value display at a click of the mouse.

The screenshot shows the MemoSuite software interface. At the top, there is a navigation bar with icons for StartCenter, Calibration, Table View, History, Statistics, and pH Buffers. The 'pH Buffers' icon is highlighted. Below the navigation bar, the main display area is divided into several sections. On the left, 'Measured values' shows a table with three rows: 'pH value' (7.09 pH), 'pH voltage' (49.2 mV), and 'Temperature' (25.1 °C). The 'pH value' is circled in red. On the right, 'Sensor data' shows fields for Sensor type (pH (glass)), Manufacturer (KNICK), Order code (SE 533X/1-NMSN), Serial number (1030550), Measuring point, and Tag number (0). Below this is 'Adjustment data' showing Date (6/27/2011 20:09:12), Slope (58.5 mV/pH), and Zero point (7.06 pH). A magnified view of the 'pH value' is shown at the bottom left, with the text 'pH value' and '7.09 pH' circled in red.

Measured values	
pH value	7.09 pH
pH voltage	49.2 mV
Temperature	25.1 °C

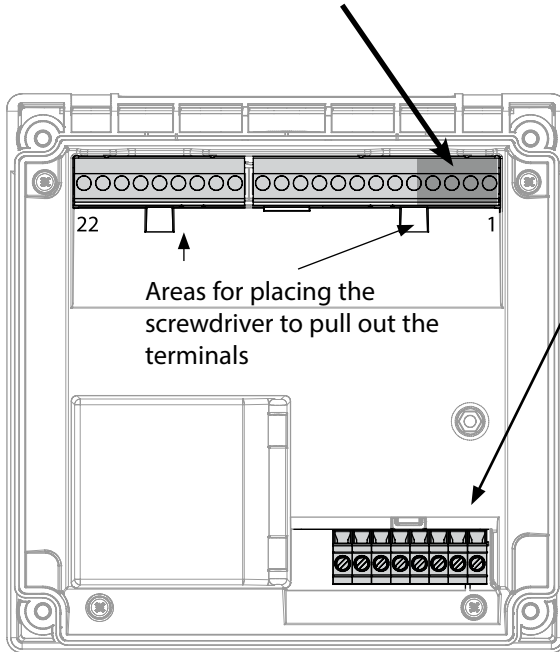
Sensor data	
Sensor type:	pH (glass)
Manufacturer:	KNICK
Order code:	SE 533X/1-NMSN
Serial number:	1030550
Measuring point:	
Tag number:	0

Adjustment data	
Date:	6/27/2011 20:09:12
Slope:	58.5 mV/pH
Zero point:	7.06 pH

Magnified View	
pH value	7.09 pH

Standard connection (sensor A)

1	Brown	+3 V
2	Green	RS 485 A
3	Yellow	RS 485 B
4	White/Transp.	GND/shield



For dual devices

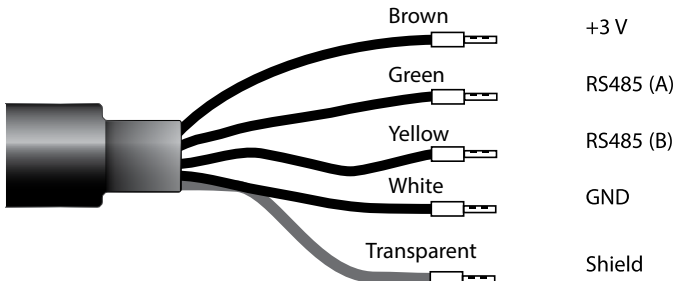
(2 measuring channels):

(MK-MS095 module)

Connection of sensor B

A	Brown	+3 V
B	Green	RS 485 A
C	Yellow	RS 485 B
D	White	GND
E	Transp.	SHIELD

Memosens Cable



Connecting cable for non-contact inductive digital transmission of measured signals (Memosens).

By providing perfect galvanic isolation between sensor and analyzer/transmitter, the Memosens cable prevents measurement interferences. Any effects of humidity and corrosion are prevented.

Specifications

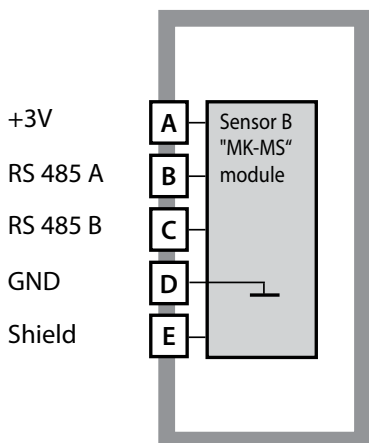
Material	TPE
Cable diameter	6.3 mm
Length	up to 100 m
Process temperature	-20 °C ... 135 °C / -4...+275 °F
Ingress protection	IP 68

Order Codes

	Cable type	Cable length	Order code
Memosens	Ferrules	3 m	CA/MS-003NAA
		5 m	CA/MS-005NAA
		10 m	CA/MS-010NAA
		20 m	CA/MS-020NAA
	M12 plug, 8-pin	3 m	CA/MS-003NCA
		5 m	CA/MS-005NCA
Memosens Ex*	Ferrules	3 m	CA/MS-003XAA
		5 m	CA/MS-005XAA
		10 m	CA/MS-010XAA
		20 m	CA/MS-020XAA
	M12 plug, 8-pin	3 m	CA/MS-003XCA
		5 m	CA/MS-005XCA

Other cable lengths or cable types are available on request.

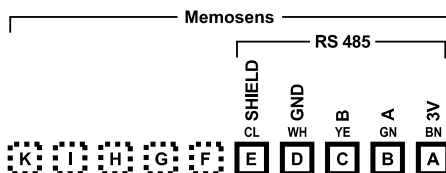
* Ex-certified ATEX II 1G Ex ia IIC T3/T4/T6 Ga



Module for 2nd Memosens channel

Order code MK-MS095...

See the following pages for wiring examples.

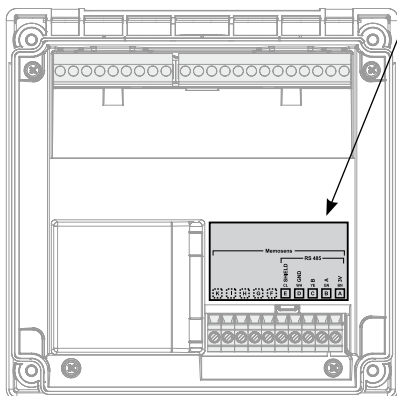


Terminal plate of module for 2nd Memosens channel

The terminals are suitable for single or stranded wires up to 2.5 mm² (AWG 14).

The measuring module comes with a self-adhesive label.

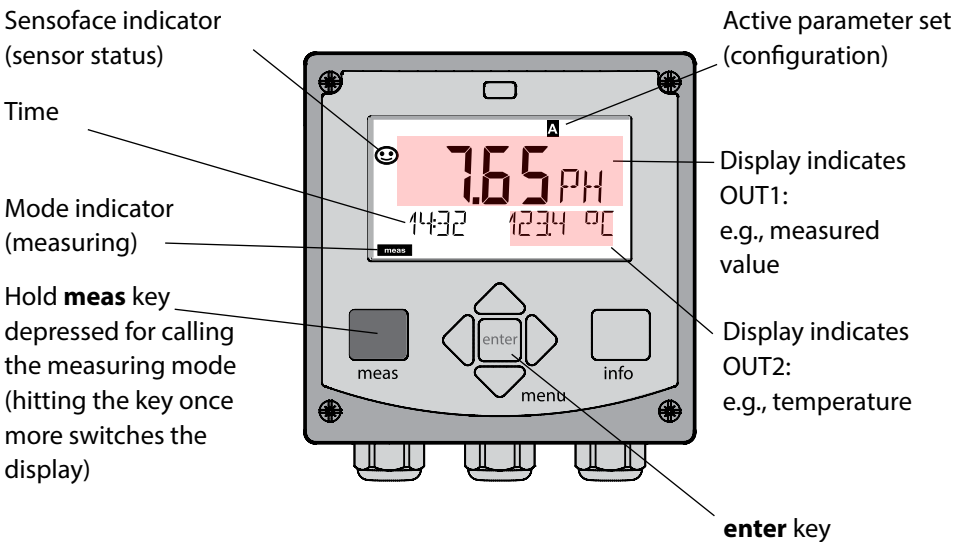
Stick the label to the module slot on the device front. This way, you have the wiring "under control".



Measuring Mode

Prerequisite: A Memosens sensor is connected or a measuring module is installed with a corresponding analog sensor connected.

After the operating voltage has been connected, the analyzer automatically goes to "Measuring" mode. To call the measuring mode from another operating mode (e.g., Diagnostics, Service): Hold **meas** key depressed (> 2 s).



Depending on the configuration, you can set various displays as standard display for the measuring mode (see page 27).

Note: By pressing the **meas** key in measuring mode you can view the displays for approx. 60 sec.



NOTICE:

You must configure the analyzer for the respective measurement task.

Up / Down arrows

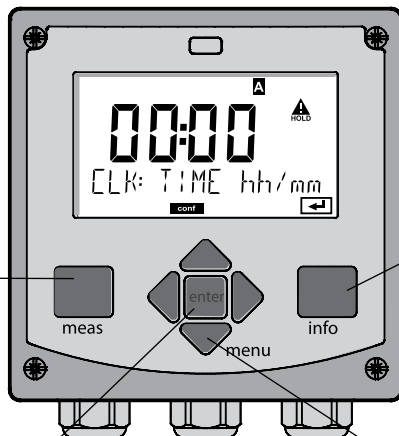
- Menu: Increase/decrease a numeral
- Menu: Selection

Left / Right arrows

- Menu: Previous/next menu group
- Number entry: Move between digits

meas

- Return to last menu level
- Directly to measuring mode (press > 2 s)
- Measuring mode: other display (temporarily for approx. 60 s)



info

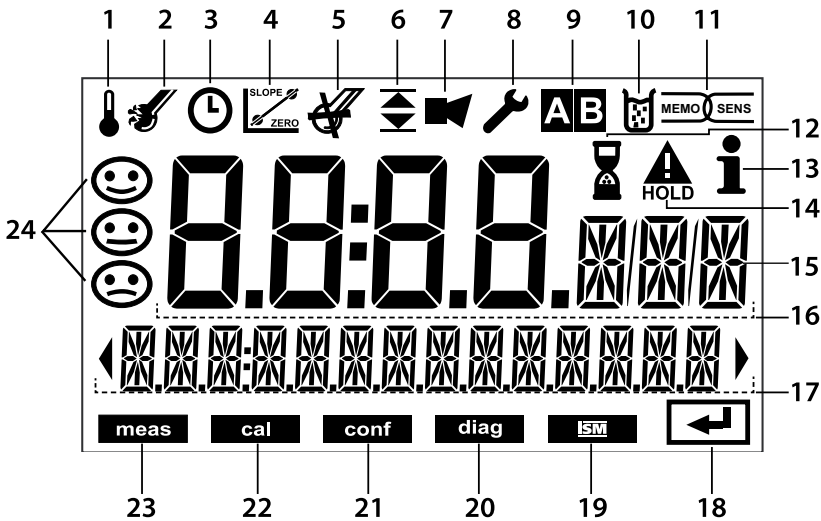
- Retrieve information
- Show error messages

enter

- Configuration: Confirm entries, next configuration step
- Calibration: Continue program flow

menu

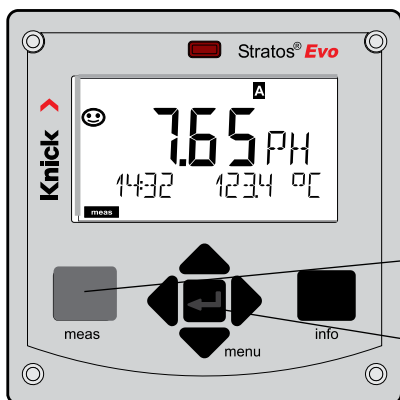
- Measuring mode: Call menu



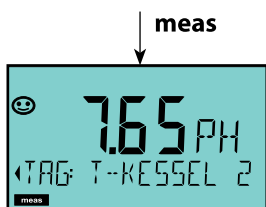
- | | | | |
|----|--|----|-----------------------|
| 1 | Temperature | 13 | Info available |
| 2 | Sensocheck | 14 | HOLD mode active |
| 3 | Interval/response time | 15 | Unit symbols |
| 4 | Sensor data | 16 | Primary process value |
| 5 | Sensocheck | 17 | Secondary display |
| 6 | Limit message:
Limit 1 ▼ or Limit 2 ▲ | 18 | Proceed using enter |
| 7 | Alarm | 19 | ISM sensor |
| 8 | Service | 20 | Diagnostics |
| 9 | Parameter set | 21 | Configuration mode |
| 10 | Calibration | 22 | Calibration mode |
| 11 | Memosens sensor | 23 | Measuring mode |
| 12 | Waiting time running | 24 | Sensoface |

Signal Colors (Display Backlighting)

- | | |
|--------------|---|
| Red | Alarm (in case of fault: display values blink) |
| Red blinking | Input error: illegal value or wrong passcode |
| Orange | HOLD mode (Calibration, Configuration, Service) |
| Turquoise | Diagnostics |
| Green | Info |
| Magenta | Sensoface message (pre-alarm) |

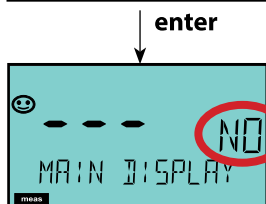
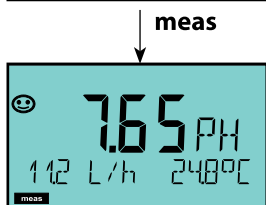


The MAIN DISPLAY is the display which is shown in measuring mode. To call the measuring mode from any other mode, hold the **meas** key depressed for at least 2 sec.



By pressing **meas** briefly you can step through further displays such as tag number (TAG) or flow (L/h).

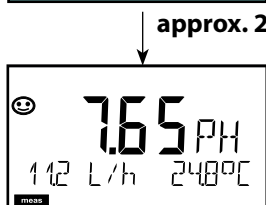
These displays are turquoise. After 60 sec they switch back to the main display.



Press **enter** to select a display as MAIN DISPLAY.

The secondary display shows "MAIN DISPLAY – NO". Use the **UP / DOWN** arrows to select "MAIN DISPLAY – YES"

and confirm by pressing **enter**. The display color changes to white. This display is now shown in measuring mode.

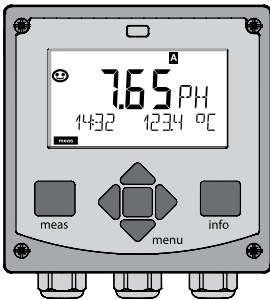


The color-coded user interface guarantees increased operating safety.

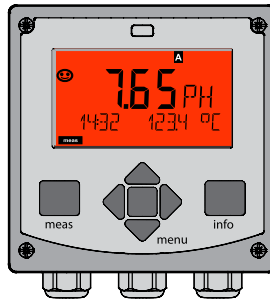
Operating modes are clearly signaled.

The normal measuring mode is white. Information text appears on a green screen and the diagnostic menu appears on turquoise. The orange HOLD mode (e.g., during calibration) is quickly visible as is the magenta screen which indicates asset management messages for predictive diagnostics – such as maintenance request, pre-alarm and sensor wear.

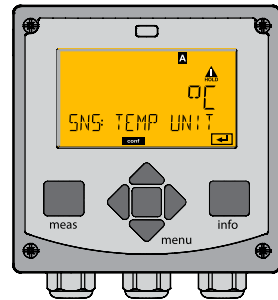
The alarm status has a particularly noticeable red display color and is also signaled by flashing display values. Invalid inputs or false passcodes cause the entire display to blink red so that operating errors are significantly reduced.



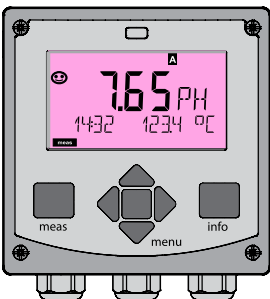
White:
Measuring mode



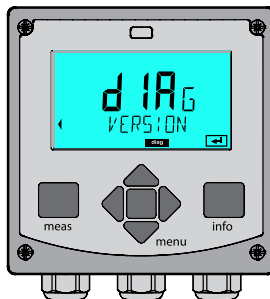
Red blinking:
Alarm, error



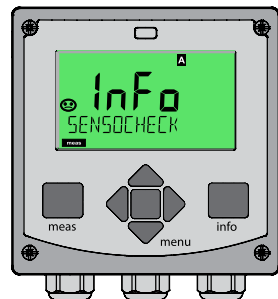
Orange:
HOLD mode



Magenta:
Maintenance request



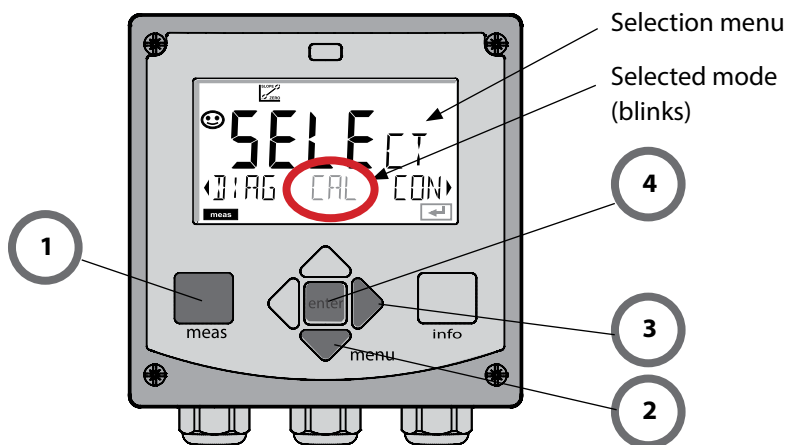
Turquoise:
Diagnostics



Green:
Info texts

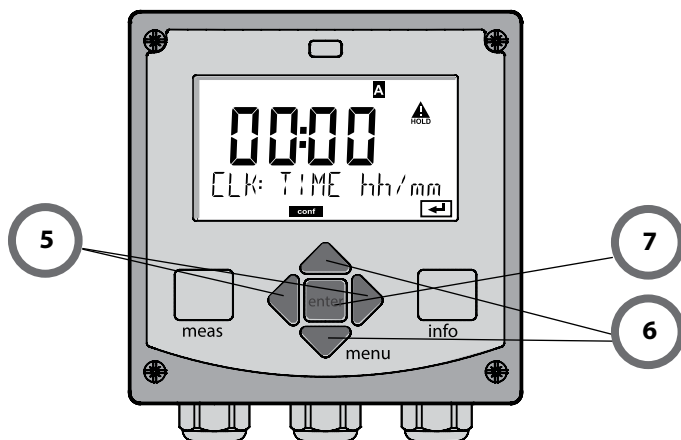
To select the operating mode:

- 1) Hold **meas** key depressed (> 2 s) (measuring mode)
- 2) Press **menu** key: the selection menu appears
- 3) Select operating mode using left / right arrow key
- 4) Press **enter** to confirm the selected mode



To enter a value:

- 5) Select numeral: left / right arrow
- 6) Change numeral: up / down arrow
- 7) Confirm entry by pressing **enter**



Diagnostics

Display of calibration data, display of sensor data, sensor monitor, performing a device self-test, viewing the logbook entries, display of hardware/software versions of the individual components. The logbook can store 100 events (00...99). They can be displayed directly on the device. The logbook can be extended to 200 entries using a TAN (Option).

HOLD

Manual activation of HOLD mode, e.g., for replacing a sensor. The signal outputs adopt a defined state.

Calibration

Every sensor has typical characteristic values, which change in the course of the operating time. Calibration is required to supply a correct measured value. The device checks which value the sensor delivers when measuring in a known solution. When there is a deviation, the device can be "adjusted". In that case, the device displays the "actual" value and internally corrects the measurement error of the sensor. Calibration must be repeated at regular intervals. The time between the calibration cycles depends on the load on the sensor. During calibration the device is in HOLD mode.

During calibration the device remains in the HOLD mode until it is stopped by the operator.

Configuration

You must configure the analyzer for the respective measurement task. In the "Configuration" mode you select the adjusted measuring function, the connected sensor, the measuring range to be transmitted, and the conditions for warning and alarm messages. During configuration the device is in HOLD mode.

Configuration mode is automatically exited 20 minutes after the last keystroke. The device returns to measuring mode.

Service

Maintenance functions (current source, relay test, controller test), passcode assignment, device type selection, reset to factory settings, enabling of options (TAN).

The HOLD mode is a safety state during configuration and calibration. Output current is frozen (LAST) or set to a fixed value (FIX). Alarm and limit contacts are disabled.

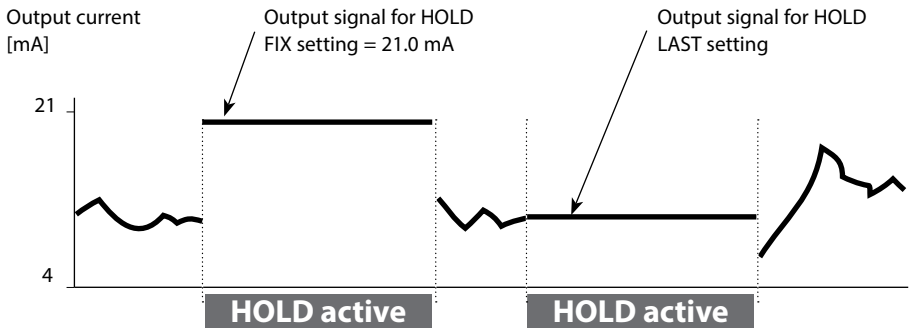
The display backlighting turns orange, display icon:



Output signal response

- **LAST:** The output current is frozen at its last value. Recommended for short configuration procedures. The process should not change decisively during configuration. Changes are not noticed with this setting!
- **Fix:** The output current is set to a value that is noticeably different from the process value to signal the control system that the device is being worked at.

Output signal during HOLD:



Terminating the HOLD mode

The HOLD mode is exited by switching to measuring mode (hold **meas** key depressed). The display reads "Good Bye". After that, the HOLD mode is exited. When the calibration mode is exited, a confirmation prompt ensures that the installation is ready for operation (e.g.: sensor reinstalled, located in process).

External activation of HOLD

The HOLD mode can be activated from outside by sending a signal to the HOLD input (e.g., from the process control system).

HOLD inactive	0...2 V AC/DC
HOLD active	10...30 V AC/DC

Alarm

When an error has occurred, **Err xx** is displayed immediately.

Only after expiry of a user-defined delay time will the alarm be registered and entered in the logbook.

During an alarm the display blinks, the display backlighting turns **red**.

Error messages can also be signaled by a 22 mA output current (when configured correspondingly).

The alarm contact is activated by alarm or power failure. 2 sec after the failure event is corrected, the alarm status will be deleted.

The 22-mA signal can also be triggered by Sensoface messages (configurable).

Generating a message via the CONTROL input

(min. flow / max. flow)

The CONTROL input can be used for parameter set selection or for flow measurement (pulse principle), depending on its assignment in the "Configuration" menu.

First, the flow transmitter must be calibrated in the CONTROL menu: ADJUST FLOW

When preset to flow measurement

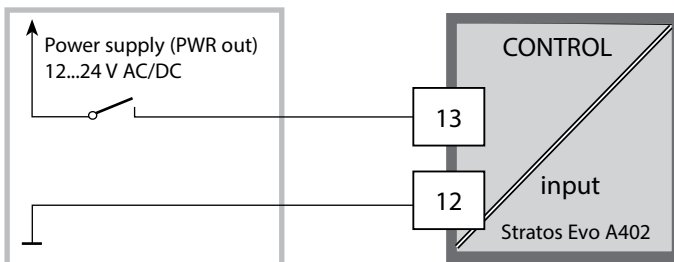
CONF/CNTR_IN/CONTROL = FLOW

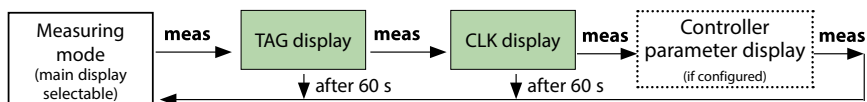
an alarm can be generated when the measured flow exceeds a specified range:

CONF/ALA/FLOW CNTR = ON

CONF/ALA/FLOW min (specify value, default: 5 liters/h)

CONF/ALA/FLOW max (specify value, default: 25 liters/h)





Pressing the **menu** key (down arrow) opens the selection menu.
 Select the menu group using the left/right arrow keys.
 Pressing **enter** opens a menu item. Press **meas** to return.



DIAG	CALDATA	Display of calibration data
	SENSOR	Display of sensor data
	SELFTEST	Self test: RAM, ROM, EEPROM, module
	LOGBOOK	100 events with date and time
	MONITOR	Display of direct sensor values
	VERSION	Display of software version, model designation, serial no.
HOLD	Manual activation of HOLD mode, e.g., for sensor replacement. The signal outputs behave as configured (e.g., last measured value, 21 mA)	
CAL	pH	pH adjustment / ORP adjustment / product calibration
	Oxy	Adjustment (WTR/AIR) / zero adjustment / prod. cal.
	COND(I)	Adjustment with solution / cell factor input / prod. cal.
	CAL_RT D	Adjustment of temperature probe
CONF	PARSET A	For configuring parameter set A / B see "Overview of Configuration" on next page.
	PARSET B	
SERVICE (Access via code, factory setting: 5555)	MONITOR	Display of measured values for validation (simulators)
	SENSOR	Sensor (resetting diagnostics messages)
	POWER OUT	Selecting the output voltage (3.1 V / 12 V / 15 V / 24 V)
	OUT1	Current source, output 1
	OUT2	Current source, output 2
	RELAIS	Relay test
	CONTROL	Controller: manual specification of controller output
	CODES	Specifying access codes for operating modes
	DEVICE TYPE	Selecting the device type
	DEFAULT	Reset to factory setting
	OPTION	Enabling an option via TAN

The configuration steps are assigned to different menu groups. Using the left/right arrow keys, you can jump between the individual menu groups. Each menu group contains menu items for setting the parameters. Pressing **enter** opens a menu item. Use the arrow keys to edit a value. Press **enter** to confirm/save the settings. Return to measurement: Hold **meas** key depressed (> 2 s).

Select menu group	Menu group	Code	Display	Select menu item
	Sensor selection (multi-channel device: select sensor A / sensor B)	SNS: (S_A / S_B)	Conf SENSOR	
		Menu item 1		
		:		
		Menu item ...		
▶	Current output 1	OT1:	Conf OUT 1	
▶	Current output 2	OT2:	Conf OUT 2	
▶	Compensation	COR:	Conf CORRECTION	
▶	Control input (parameter set or flow measurement)	IN:	0000 COR: TC L: BU: 1	
▶	Alarm mode	ALA:	Conf ALARM	
▶	Relay outputs	REL:	Conf REL 1/REL 2	
▶	Cleaning	WSH:	Conf WASH	
▶	Setting the clock	CLK:	Conf CLOCK	
▶	Tag number	TAG:	Conf TAG	

Note: With MSPH-MSPH or MSPH-MSOXY dual devices, the two parameter sets are replaced by the two sensors A and B.

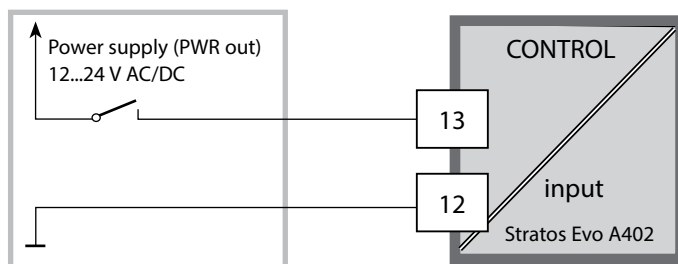
Parameter Set A/B: Configurable Menu Groups

The device provides 2 parameter sets "A" and "B". By switching between the parameter sets you can adapt the device to different measurement situations, for example. Parameter set "B" only permits setting of process-related parameters.

Menu group	Parameter set A	Parameter set B
SENSOR	Sensor selection	---
OUT1	Current output 1	Current output 1
OUT2	Current output 2	Current output 2
CORRECTION	Compensation	Compensation
CNTR_IN	Control input	---
ALARM	Alarm mode	Alarm mode
REL 1/REL 2	Relay outputs	Relay outputs
WASH	Cleaning	---
PARSET	Parameter set selection (not for dual devices)	---
CLOCK	Setting the clock	---
TAG	TAG of measuring point	---
GROUP	GROUP of measuring points	---

External switchover of parameter sets A/B




You can switch between parameter sets A and B by applying a signal to the CONTROL input (setting: CNTR-IN – PARSET).



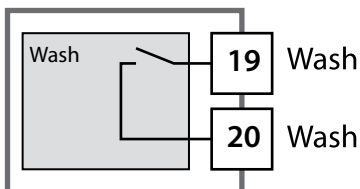
Parameter set A active 0...2 V AC/DC

Parameter set B active 10...30 V AC/DC

Parameter Set A/B: Manual Switchover

Display	Action	Remark
	To switch between parameter sets: Press meas	Manual selection of parameter sets must have been preset in CONFIG mode. Default setting is a fixed parameter set A. Wrong settings change the measurement properties!
	PARSET blinks in the lower line. Select parameter set using ◀ and ▶ keys.	
	Select PARSET A / PARSET B	The currently active parameter set is read on the display: 
	Press enter to confirm. Cancel by pressing meas	

Parameter Set A/B: Signaling via WASH Contact

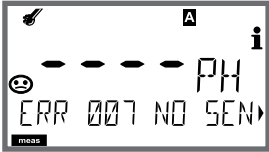
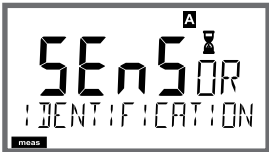

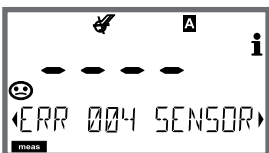



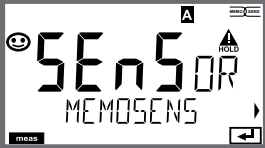
The active parameter set can be signaled using the WASH contact:

If configured correspondingly, the WASH contact signals:

Parameter set A: Contact open

Parameter set B: Contact closed

Step	Action/Display	Remark
Connect sensor		Before a Memosens sensor is connected, the error message "NO SENSOR" is displayed.
Wait until the sensor data are displayed.		The hourglass in the display blinks.
Check sensor data	 <p data-bbox="443 837 712 933">View sensor information using ◀ ▶ keys, confirm using enter.</p>	Sensoface is friendly when the sensor data are okay.
Go to measuring mode	Press meas , info or enter	After 60 sec the device automatically returns to measuring mode (timeout).
Possible error message		
Sensor defective. Replace sensor		When this error message appears, the sensor cannot be used. Sensoface is sad.

Step	Action/Display	Remark
Select HOLD mode A sensor should only be replaced during HOLD mode to prevent unintended reactions of the outputs or contacts.	Press menu key to call the selection menu, select HOLD using the ◀ ▶ keys, press enter to confirm.	Now the device is in HOLD mode. The HOLD mode can also be activated externally via the HOLD input. During HOLD the output current is frozen at its last value or set to a fixed value.
Disconnect and remove old sensor		
Install and connect new sensor.		Temporary messages which are activated during the replacement are indicated but not output to the alarm contact and not entered in the logbook.
Wait until the sensor data are displayed.		
Check sensor data	 <p>View sensor information using ◀ ▶ keys, confirm using enter.</p>	You can view the sensor manufacturer and type, serial number and last calibration date.
Check measured values		
Exit HOLD	Hit meas key: Return to the selection menu. Hold meas key depressed: Device switches to measuring mode.	

Error	Info text (is displayed in case of fault when the Info key is pressed)	Problem Possible causes
ERR 01	NO SENSOR	Sensor error Device type not assigned Defective sensor Sensor not connected Break in sensor cable
ERR 02	WRONG SENSOR	Wrong sensor
ERR 04	SENSOR FAILURE	Failure in sensor
ERR 05	CAL DATA	Error in cal data
ERR 10	ORP RANGE	Display range violation ORP: < -1999 mV or > 1999 mV
ERR 11	RANGE	Display range violation
ERR 12	MV RANGE	mV range
ERR 13	TEMPERATURE RANGE	Temperature range violation
ERR 14	rH RANGE	Range error (rH)
ERR 15	SENSOCHECK GLASS-EL	Glass Sensocheck (pH)
ERR 60	OUTPUT LOAD	Load error
ERR 61	OUTPUT 1 TOO LOW	Output current 1 < 0 (3.8) mA
ERR 62	OUTPUT 1 TOO HIGH	Output current 1 > 20.5 mA
ERR 63	OUTPUT 2 TOO LOW	Output current 2 < 0 (3.8) mA
ERR 64	OUTPUT 2 TOO HIGH	Output current 2 > 20.5 mA

Error	Info text (is displayed in case of fault when the Info key is pressed)	Problem Possible causes
ERR 95	SYSTEM ERROR	System error Restart required. If error still persists, send in the device for repair.
ERR 97	WRONG MODULE	Module does not correspond to measuring function Correct the setting in the SERVICE / DEVICE TYPE menu. Afterwards, configure and calibrate the device.
ERR 98	CONFIGURATION ERROR	Error in configuration or calibration data Configuration or calibration data defective; completely reconfigure and recalibrate the device.
ERR 99	DEVICE FAILURE	Error in factory settings EEPROM or RAM defective This error message only occurs in the case of a total defect. The device must be repaired and recalibrated at the factory.
ERR 100	INVALID SPAN OUT1	Span Out1 configuration error Selected span too small
ERR 101	INVALID SPAN OUT2	Span Out2 configuration error Selected span too small

Error	Info text (is displayed in case of fault when the Info key is pressed)	Problem Possible causes
ERR 102	pH: FAILURE BUFFERSET -U1-	Parameter error Specifiable buffer set U1
	Multichannel operation: MSPH/MSPH, MSPH/MSOXY: A FAILURE BUFFERSET -U1-	Parameter error Specifiable buffer set U1, sensor A
ERR 104	INVALID PARAMETER CONTROLLER	Parameter error Controller
ERR 105	INVALID SPAN I-INPUT	Parameter error Current input
ERR 106	INVALID CHANNEL SELECTION OUT1/2	Multichannel operation: MSPH/MSPH, MSPH/MSOXY: Currents not assigned
ERR 107	INVALID CHANNEL SELECTION RELAYS	Multichannel operation: MSPH/MSPH, MSPH/MSOXY: Limit values not assigned
ERR 108	Multichannel operation: MSPH/MSPH, MSPH/MSOXY: INVALID CHANNEL SELECTION CONTROL	Controller not assigned

Sensoface messages:

Calibration timer expired:	OUT OF CAL TIME CALIBRATE OR CHANGE SENSOR
TTM for ISM (pH):	OUT OF MAINTENANCE CLEAN SENSOR
TTM for ISM (Oxy):	OUT OF MAINTENANCE CHECK ELECTROLYTE AND MEMBRANE
DLI for ISM:	END OF LIFETIME CHANGE SENSOR OR INNERBODY
ISFET sensor offset:	SENSOR ISFET-ZERO CALIBRATE OR CHANGE SENSOR
Sensor zero/slope:	SENSOR ZERO/SLOPE CALIBRATE OR CHANGE SENSOR
Sensor response:	SENSOR DRIFT CALIBRATE OR CHANGE SENSOR
Sensor wear (pH):	SENSOR WEAR CHANGE SENSOR
Sensor wear (Oxy MS):	SENSOR WEAR CHECK ELECTROLYTE AND MEMBRANE
Sensor wear (LDO, SE 740):	SENSOR WEAR CHANGE SENSOR CAP
Autoclaving counter:	AUTOCLAVE CYCLES OVERRUN
CIP cycles exceeded:	CIP-CYCLES OVERRUN
SIP cycles exceeded:	SIP-CYCLES OVERRUN
Sensor TAG does not correspond to device entry.	WRONG SENSOR TAG
Sensor GROUP does not correspond to device entry.	WRONG SENSOR GROUP xxxx

Error	Info text (is displayed in case of fault when the Info key is pressed)	Problem Possible causes
ERR 01	NO SENSOR	Sensor error Device type not assigned Defective sensor Sensor not connected Break in sensor cable
ERR 02	WRONG SENSOR	Wrong sensor
ERR 04	SENSOR FAILURE	Failure in sensor
ERR 05	CAL DATA	Error in cal data
ERR 10	CONDUCTANCE TOO HIGH Device type Cond-Cond: Channel A	Measuring range of conductance exceeded
ERR 11	RANGE CONDUCTIVITY Device type Cond-Cond: Channel A	Display range violation
ERR 13	TEMPERATURE RANGE Device type Cond-Cond: Channel A	Temperature range violation
ERR 15	SENSOCHECK Device type Cond-Cond: Channel A	Sensor or line error
ERR 40	CONDUCTANCE TOO HIGH Device type Cond-Cond: Channel B	Measuring range of conductance exceeded
ERR 41	RANGE CONDUCTIVITY Device type Cond-Cond: Channel B	Display range violation
ERR 43	TEMPERATURE RANGE Device type Cond-Cond: Channel B	Temperature range violation
ERR 45	SENSOCHECK Device type Cond-Cond: Channel B	Sensor or line error

Error	Info text (is displayed in case of fault when the Info key is pressed)	Problem Possible causes
ERR 59	INVALID CALCULATION	Invalid calculations
ERR 60	OUTPUT LOAD	Load error
ERR 61	OUTPUT 1 TOO LOW	Output current 1 < 0 (3.8) mA
ERR 62	OUTPUT 1 TOO HIGH	Output current 1 > 20.5 mA
ERR 63	OUTPUT 2 TOO LOW	Output current 2 < 0 (3.8) mA
ERR 64	OUTPUT 2 TOO HIGH	Output current 2 > 20.5 mA
ERR 72	FLOW TOO LOW	Flow too low
ERR 73	FLOW TOO HIGH	Flow too high

Error	Info text (is displayed in case of fault when the Info key is pressed)	Problem Possible causes
ERR 95	SYSTEM ERROR	System error Restart required. If error still persists, send in the device for repair.
ERR 96	WRONG MODULE	Module does not correspond to measuring function Correct the setting in the SERVICE / DEVICE TYPE menu. Afterwards, configure and calibrate the device.
ERR 97	NO MODULE INSTALLED	No module installed
ERR 98	CONFIGURATION ERROR	Error in configuration or calibration data Configuration or calibration data defective; completely reconfigure and recalibrate the device.
ERR 99	DEVICE FAILURE	Error in factory settings EEPROM or RAM defective This error message only occurs in the case of a total defect. The device must be repaired and recalibrated at the factory.

Error	Info text (is displayed in case of fault when the Info key is pressed)	Problem Possible causes
ERR 104	INVALID PARAMETER CONTROLLER	Configuration error Controller
ERR 105	INVALID SPAN I-INPUT	Configuration error Current input
ERR 106	INVALID CHANNEL SELECTION OUT1/2	Cond-Cond: Out1/Out2 channel not assigned (disabled)
ERR 107	INVALID CHANNEL SELECTION RELAYS	Cond-Cond: Relay channel not assigned (disabled)
ERR 108	Cond, Condl, Cond-Cond: OUT1 INVALID CORNER X/Y	Bilinear curve: Invalid vertex point
ERR 109	Cond, Condl, Cond-Cond: OUT2 INVALID CORNER X/Y	Bilinear curve: Invalid vertex point
ERR 110	CATION EXCHANGER CAPACITY	Capacity of ion exchanger used up – replace

Sensoface messages:

Cell factor monitoring	SENSOR CELL FACTOR CALIBRATE OR CHANGE SENSOR
Table monitoring (TC/Conc/Sal/USP)	OUT OF INTERNAL TABLE
Zero point monitoring	SENSOR ZERO CALIBRATE OR CHANGE SENSOR
Cell factor / zero point monitoring	SENSOR ZERO/CELL FACTOR CALIBRATE OR CHANGE SENSOR
Sensor TAG does not correspond to device entry.	WRONG SENSOR TAG
Sensor GROUP does not correspond to device entry.	WRONG SENSOR GROUP xxxx

Stratos Evo ist ein 4-Leiter-Gerät für den Einsatz in der Analysenmesstechnik. Das Gerät wird in einer Basisausführung für die Messung mit digitalen Sensoren (Memosens, optische Sauerstoffmessung, induktive Leitfähigkeitsmessung) geliefert. In einem internen Speicher werden alle Messverfahren vorgehalten. Durch Wahl eines Messverfahrens wird das Gerät auf die spezifische Messaufgabe vorbereitet. Für Messaufgaben mit analogen Sensoren können zusätzlich Wechselmodule gesteckt werden. Die Ausführung A402B erlaubt den Einsatz in Ex-Zone 2. Zur Stromversorgung dient eine universelle Netzversorgung 80 ... 230 V AC, 45 ... 65 Hz / 24 ... 60 V DC. Ausgangsseitig verfügt das Gerät über zwei Stromausgänge (0) 4 ... 20 mA zur Übertragung von z. B. Messwert und Temperatur. Vier frei konfigurierbare potenzialfreie Schaltkontakte stehen zur Verfügung. Parametrierbar sind ein PID-Regler sowie eine zeitgesteuerte Reinigungsfunktion. Zwei Parametersätze stehen zur Verfügung und können z. B. über den Control-Eingang extern umgeschaltet werden. Der Hold-Eingang erlaubt externes Setzen des Betriebszustandes Hold. Das Gerät ermöglicht auch die Speisung und Messwertverarbeitung von zusätzlichen Messumformern z. B. zur Durchflussüberwachung.

Folgende Messverfahren sind einstellbar:

- pH
- Redoxpotenzial
- Sauerstoff
- Sauerstoff, optisch
- Leitfähigkeitsmessung (konduktiv/induktiv)
- Dual-Leitfähigkeitsmessung mit zwei analogen Sensoren
- Dual-Messung pH/pH und pH/Oxy mit zwei Memosens-Sensoren

Das Gehäuse und die Montagemöglichkeiten

- Das robuste Kunststoffgehäuse ist ausgelegt für die Schutzart IP 67/NEMA 4X outdoor, Material Front: PBT, Untergehäuse: PC.
Abmaße H 148 mm, B 148 mm, T 117 mm.
Vorbereitete Durchbrüche im Gehäuse für:
- Schalttafeleinbau (Ausschnitt 138 mm x 138 mm nach DIN 43700)
- Wandmontage (mit Dichtstopfen zur Abdichtung des Gehäuses)
- Mastmontage (Ø 40 ... 60 mm, □ 30 ... 45 mm)

Der Anschluss der Sensoren, Kabelzuführungen

Für die Zuführung der Kabel verfügt das Gehäuse über

- 3 Durchbrüche für Kabelverschraubungen M20x1,5
- 2 Durchbrüche für NPT 1/2" bzw. Rigid Metallic Conduit

Das Display

Klartextanzeigen im großen, hinterleuchteten LC-Display erlauben eine intuitive Bedienung. Der Anwender kann festlegen, welche Werte im Standard-Messmodus angezeigt werden sollen („Main Display“).

Farbgeleitete Nutzerführung

Durch farbige Hinterleuchtung des Displays werden verschiedene Betriebszustände signalisiert (z. B. Alarm: rot, HOLD-Zustand: orange).

Diagnosefunktionen

Diagnosefunktionen bieten „Sensocheck“ als automatische Überwachung der Glas- und Bezugsselektrode sowie „Sensoface“ zur übersichtlichen Darstellung des Sensorzustandes.

Datenlogger

Das interne Logbuch (Zusatzfunktion, TAN SW-A002) kann bis zu 100 Einträge verwalten – bei AuditTrail (Zusatzfunktion, TAN SW-A003) bis zu 200.

2 Parametersätze A, B

Das Gerät bietet zwei über einen Steuereingang bzw. manuell umschaltbare Parametersätze für unterschiedliche Prozessadaptionen oder unterschiedliche Prozesszustände.

Übersicht Parametersätze (Kopiervorlage) siehe CD oder www.knick.de.

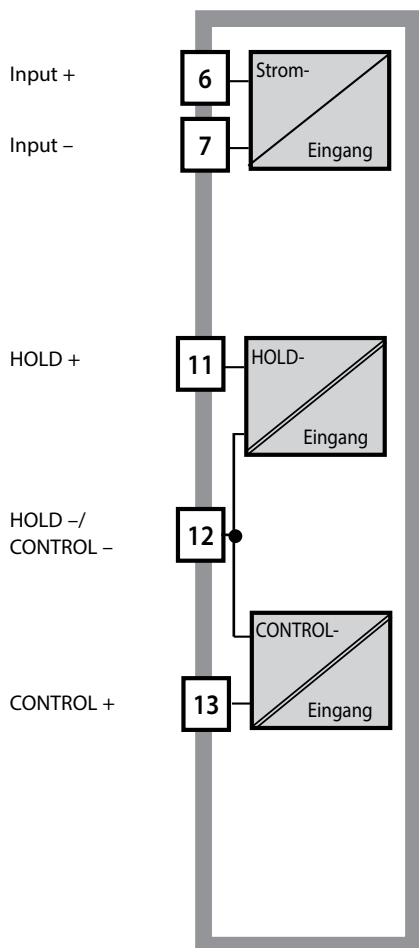
Passwortschutz

Ein Passwortschutz (Passcode) für die Vergabe von Zugriffsrechten bei der Bedienung ist konfigurierbar.

Automatische Kalibrierung mit Calimatic

Zur Wahl stehen die in der Praxis am meisten eingesetzten pH-Pufferlösungen. Ein eigener pH-Puffersatz kann zusätzlich eingegeben werden.

Steuereingänge



I-Input

Der analoge Stromeingang (0) 4 ... 20 mA kann für eine externe Druck- bzw. Temperaturkompensation benutzt werden.
(TAN erforderlich)

HOLD

(potenzialfreier digitaler Steuereingang)
Der Eingang HOLD kann für das externe Auslösen des HOLD-Zustands verwendet werden.

CONTROL

(potenzialfreier digitaler Steuereingang)
Wahlweise kann der Eingang „Control“ zur Parametersatzumschaltung (A/B) oder zur Durchflussüberwachung eingesetzt werden. Mithilfe des „Wash“-Kontakts kann eine Anzeige des jeweils aktiven Parametersatzes erfolgen.

Stromversorgung

Zur Stromversorgung dient eine universelle Netzversorgung 80 ... 230 V AC, 45 ... 65 Hz/ 24 ... 60 V DC.

Optionen

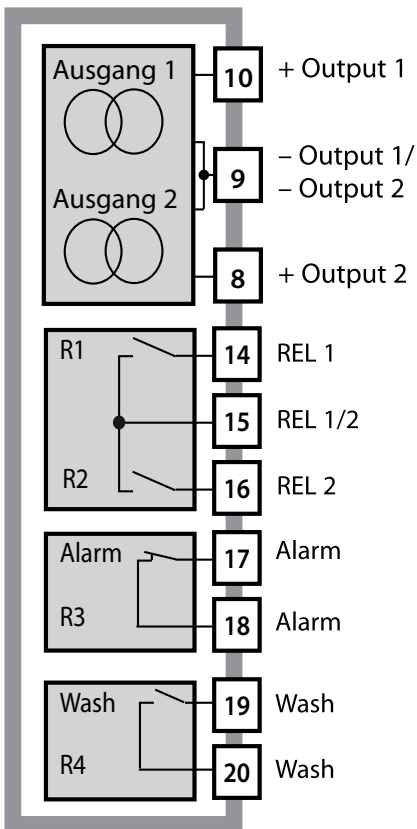
Zusätzliche Funktionen können über TAN freigeschaltet werden.

Signalausgänge

Ausgangsseitig verfügt das Gerät über zwei Stromausgänge 0 (4) ... 20 mA zur Übertragung von z. B. Messwert und Temperatur.

Schaltkontakte

Vier potenzialfreie Schaltkontakte stehen zur Verfügung.



Stromausgänge

Die potenzialfreien Stromausgänge (0) 4 ... 20 mA dienen zur Übertragung von Messwerten. Ein Ausgangsfilter ist programmierbar, der Fehlerstromwert kann vorgegeben werden.

Schaltkontakte

2 Relaiskontakte für Grenzwerte. Einstellbar für die gewählte Messgröße sind Hysterese, Schaltverhalten (Grenzwert MIN/MAX), Kontaktyp (Arbeits-/ Ruhekontakt) und Verzögerungszeit.

Alarm

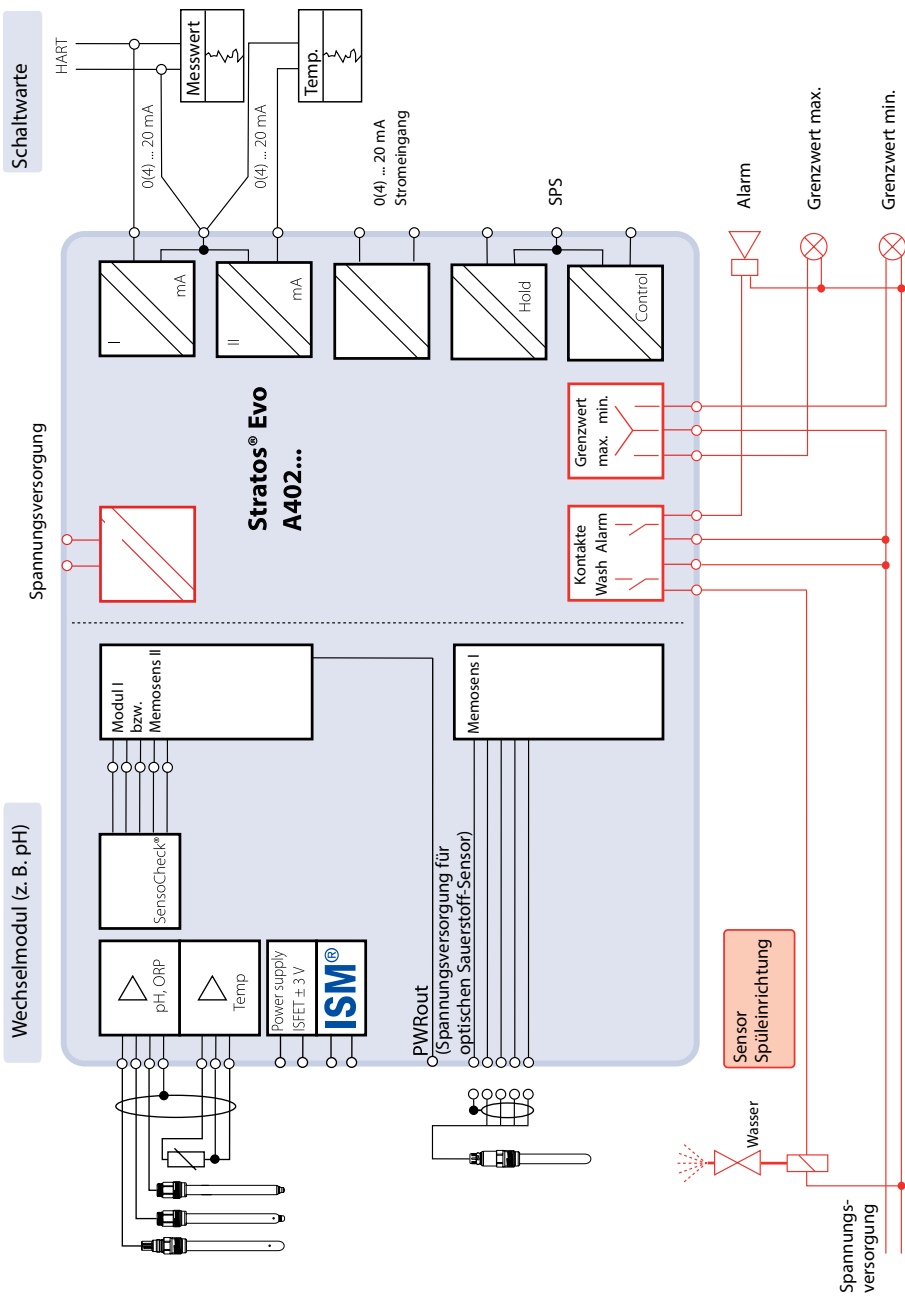
Ein Alarm kann durch Sensocheck, Durchflussüberwachung oder Stromausfall erzeugt werden.

Wash (Reinigungsfunktion)

Der Kontakt kann zur Ansteuerung von Spülsonden verwendet werden oder er signalisiert den gerade aktiven Parametersatz.

PID-Regler

Als Impulslängen- oder Impulsfrequenzregler konfigurierbar.



Lieferumfang

Kontrollieren Sie die Lieferung auf Transportschäden und auf Vollständigkeit!

Zum Lieferumfang gehören:

Fronteinheit, Untergehäuse, Kleinteilebeutel

Werksprüfzeugnis

Dokumentation

CD-ROM

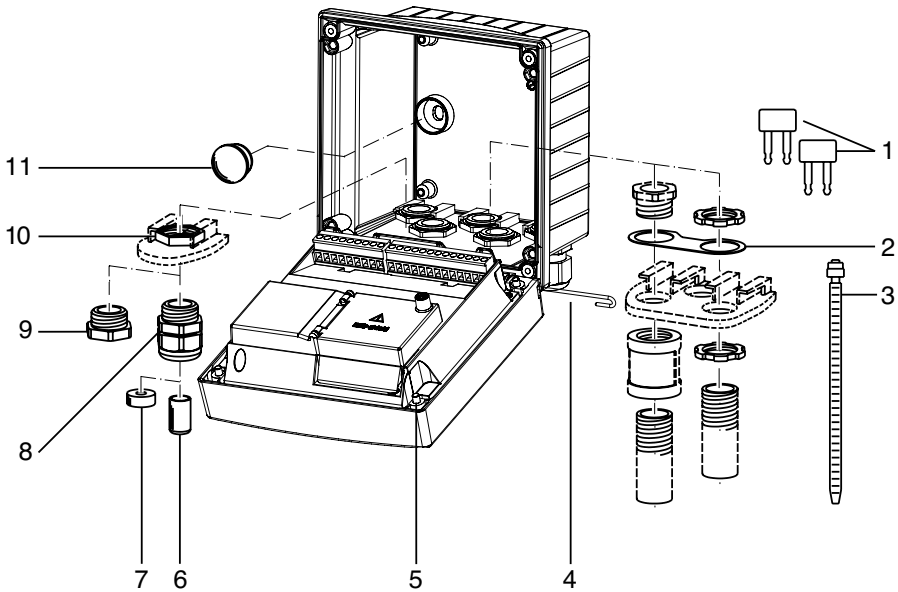
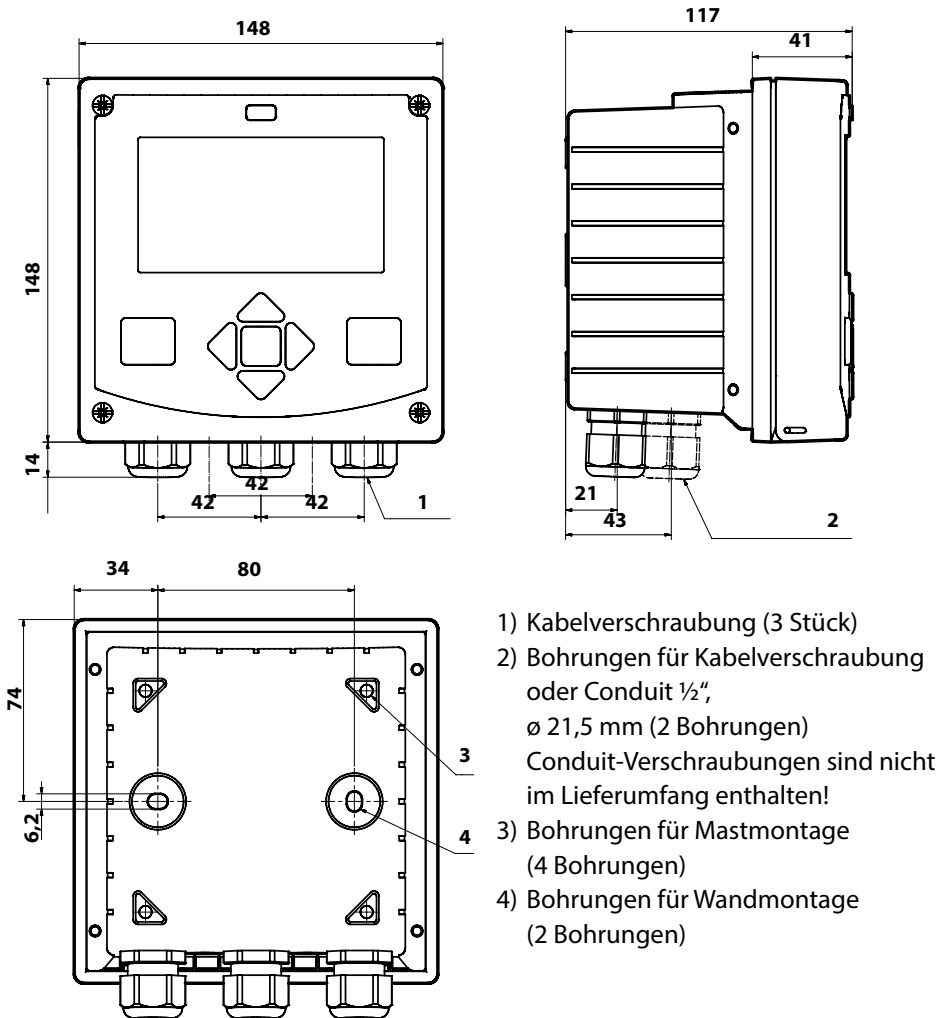


Abb.: Montage der Gehäusekomponenten

- | | |
|--|--|
| 1) Kurzschlussbrücke (3 Stück) | 6) Verschlusspropfen (1 Stück) |
| 2) Scheibe (1 Stück), für Conduit-Montage: Scheibe zwischen Gehäuse und Mutter | 7) Reduziergummi (1 Stück) |
| 3) Kabelbinder (3 Stück) | 8) Kabelverschraubungen M20x1,5 (3 Stück) |
| 4) Scharnierstift (1 Stück), von beiden Seiten steckbar | 9) Blindstopfen (3 Stück) |
| 5) Gehäuseschrauben (4 Stück) | 10) Sechskantmutter (5 Stück) |
| | 11) Dichtstopfen (2 Stück), zur Abdichtung bei Wandmontage |

Montageplan, Abmessungen



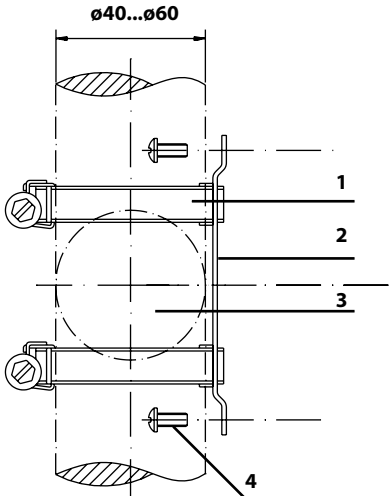
Montagezubehör

Mastmontage-Satz, Zubehör ZU 0274

Schutzdach für Wand- und Mastmontage, Zubehör ZU 0737

Schalttafel-Montagesatz, Zubehör ZU 0738

Mastmontage, Schutzdach



- 1) Schlauchschellen mit Schneckentrieb nach DIN 3017 (2 Stück)
- 2) Mastmontageplatte (1 Stück)
- 3) Wahlweise senkrechte oder waagerechte Mastanordnung
- 4) Schneidschrauben (4 Stück)

Abb.: Mastmontage-Satz, Zubehör ZU 0274

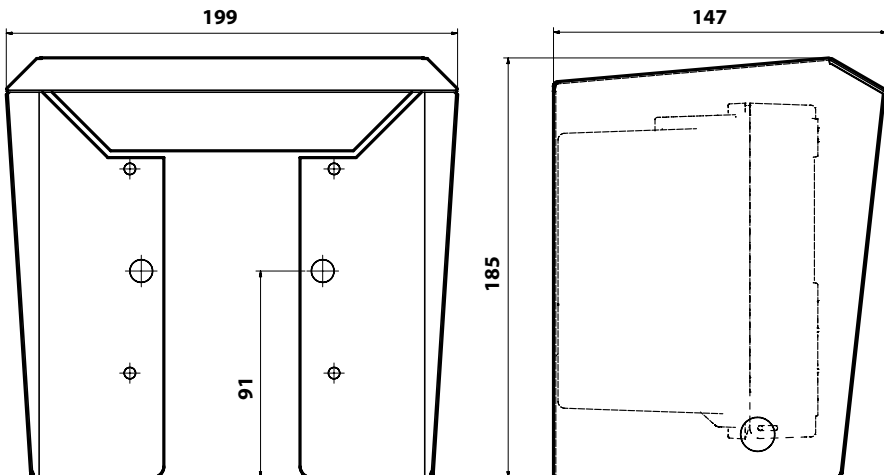
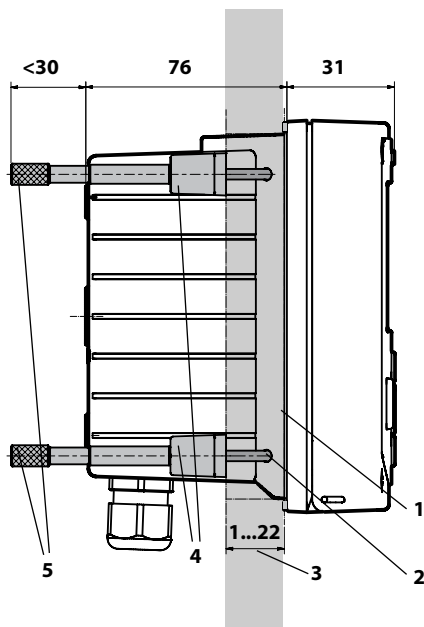


Abb.: Schutzdach für Wand- und Mastmontage, Zubehör ZU 0737

Schalttafeleinbau



- 1) umlaufende Dichtung
(1 Stück)
- 2) Schrauben (4 Stück)
- 3) Lage der Schalttafel
- 4) Riegel (4 Stück)
- 5) Gewindehülsen (4 Stück)

Schalttafel-ausschnitt
138 x 138 mm (DIN 43700)

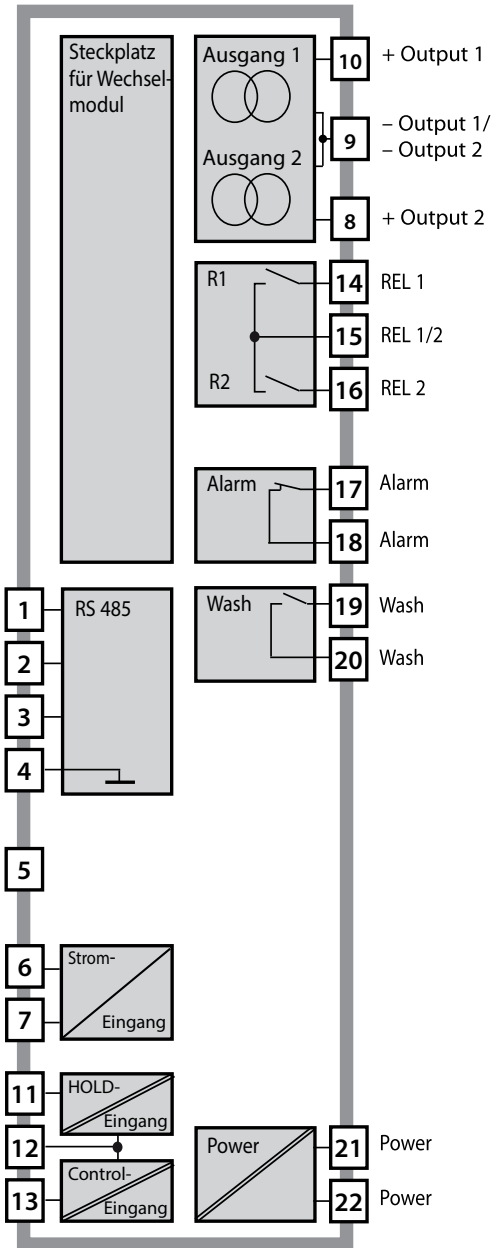
Abb.: Schalttafel-Montagesatz, Zubehör ZU 0738

Bei Anschluss analoger Sensoren:

Wechselmodul (Messmodul) bestücken

Memosens

- +3 V
- RS 485 A
- RS 485 B
- GND/Shield
- PWR out
Hilfsenergieausgang
3,1/12/15/24V 1 W
- Input +
- Input -
- HOLD +
- HOLD -/
CONTROL -
- CONTROL +



Stromversorgung

Anschluss der Stromversorgung bei Stratos Evo an die Klemmen 21 und 22
(24 ... 230 V AC, 45 ... 65 Hz / 24 ... 80 V DC)

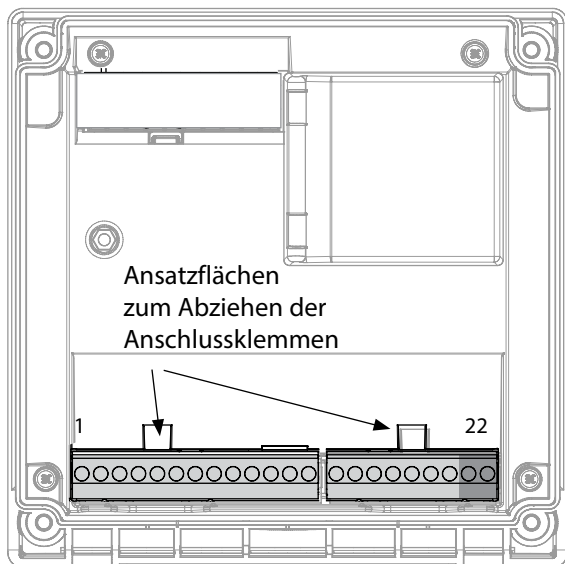


Abbildung:
Anschlussklemmen, Gerät geöffnet,
Rückseite der Fronteinheit

Anschluss Memosens-Sensor

Der Memosens-Sensor wird an die RS-485-Schnittstelle des Messgerätes angeschlossen. Anschließend wählen Sie das Messverfahren. (Das Messverfahren können Sie bei späterem Wechsel auf einen anderen Sensortyp im Menü „Service“ ändern.)

Bei der Auswahl des Sensors im Menü Konfiguration werden die Kalibrierdaten aus dem Sensor ausgelesen und können anschließend durch eine Kalibrierung verändert werden.

Klemmenbelegung

Anschluss Memosens

1 (BN)	+3 V	braun
2 (GN)	RS 485 A	grün
3 (YE)	RS 485 B	gelb
4 (WH)	GND/ shield	weiß / Schirm

5 Power Out

6 + input

7 – input

Stromausgänge OUT1, OUT2

8 + Out 2

9 – Out 2 / – Out 1 / HART

10 + Out 1 / HART

11 + HOLD

12 – HOLD / – Control

13 + Control

Schaltkontakte REL1, REL2

14 REL 1

15 REL 1/2

16 REL 2

17 alarm

18 alarm

19 wash

20 wash

Stromversorgung

21 power

22 power

Installationshinweise

- Die Installation des Geräts darf nur durch ausgebildete Fachkräfte (BGV A 3) unter Beachtung der einschlägigen Vorschriften und der Betriebsanleitung erfolgen!
- Bei der Installation müssen die technischen Daten und die Anschlusswerte beachtet werden!
- Leitungsdarm dürfen beim Abisolieren nicht eingekerbt werden!
- Vor Anschließen des Geräts an die Hilfsenergie sicherstellen, dass deren Spannung im Bereich 80 ... 230 V AC oder 24 ... 60 V DC liegt!
- Ein in den Stromeingang eingespeister Signalstrom muss galvanisch getrennt sein. Andernfalls muss ein Trennbaustein vorgeschaltet werden.
- Bei der Inbetriebnahme muss eine vollständige Konfigurierung durch den Systemspezialisten erfolgen!

Anschlussklemmen

geeignet für Einzeldrähte / Litzen bis 2,5 mm²

Einsatz in explosionsgefährdeten Bereichen

Für den Einsatz in explosionsgefährdeten Bereichen siehe separates Dokument:
Sicherheitshinweise
Installation und Einsatz in
explosionsgefährdeten Bereichen
(Auslieferung nur für Ex-Geräte)

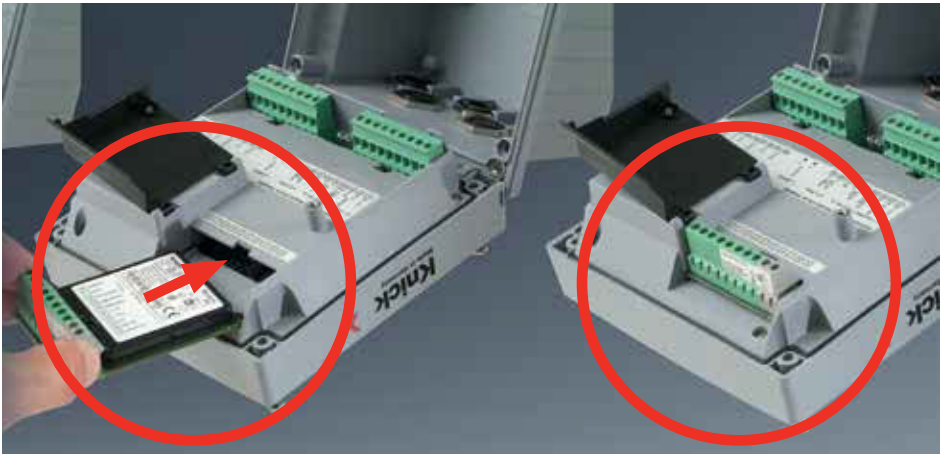
Inbetriebnahme

Bei der Erstinbetriebnahme erkennt das Messgerät ein gestecktes Modul automatisch, die Software wird an die ermittelte Messgröße angepasst. Wenn ein Wechselmodul getauscht wird, muss das Messverfahren im Menü „Service“ eingestellt werden.

Das gilt nicht für das Mehrkanal-Modul doppelte Leitfähigkeitsmessung und den Anschluss von Memosens-Sensoren; hier erfolgt beim ersten Einschalten des Gerätes eine Abfrage nach dem gewünschten Messverfahren.

Ändern des Messverfahrens

Ein anderes Messverfahren kann jederzeit im Menü „Service“ eingestellt werden.



Wechselmodule für den Anschluss analoger pH-Sensoren:

Das Wechselmodul für den Anschluss analoger pH-Sensoren wird einfach in den Modulschacht gesteckt. Bei der Erstinbetriebnahme erkennt das Messgerät das gesteckte Modul automatisch, die Software wird an die ermittelte Messgröße angepasst. Wenn ein Wechselmodul getauscht wird, muss das Messverfahren im Menü „Service“ eingestellt werden.

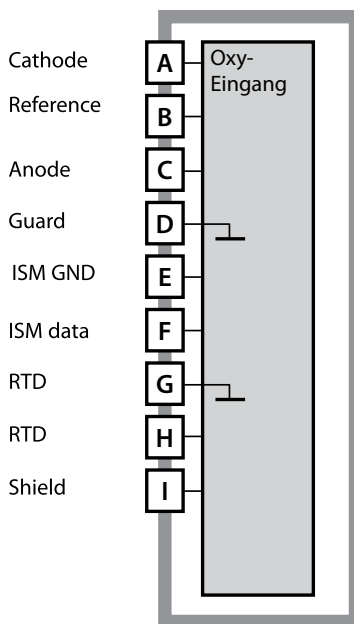
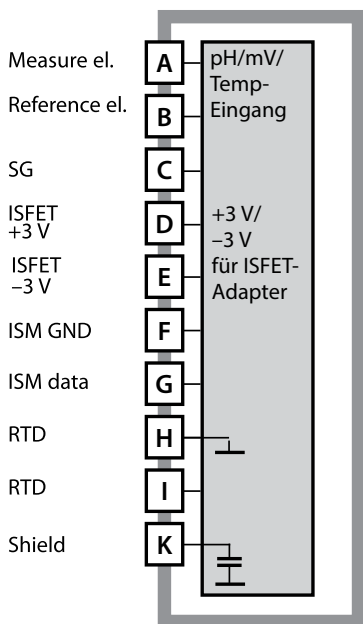
Wechselmodul für 2. Memosens-Kanal

Wenn zwei Messgrößen mit Memosens-Sensoren erfasst werden sollen, erfordert der zweite Kanal das Stecken eines Memosens-Moduls. Die Betriebsart für die Mehrkanal-Messung („Gerätetyp“) muss in der Konfiguration eingestellt werden.

Zur Verfügung stehen die Kombinationen:

Memosens pH + Memosens pH

Memosens pH + Memosens Oxy



Modul pH-Messung

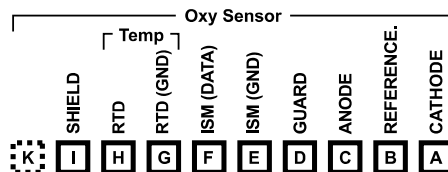
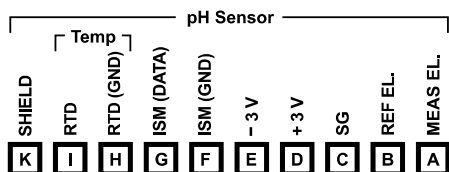
Bestellnummer MK-PH015

Beschaltungsbeispiele siehe Dokumentations-CD oder www.knick.de

Modul Gelöstsauerstoff-Messung

Bestellnummer MK-OXY045

Beschaltungsbeispiele siehe Dokumentations-CD oder www.knick.de

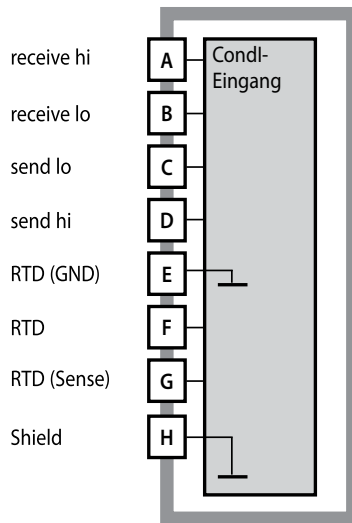
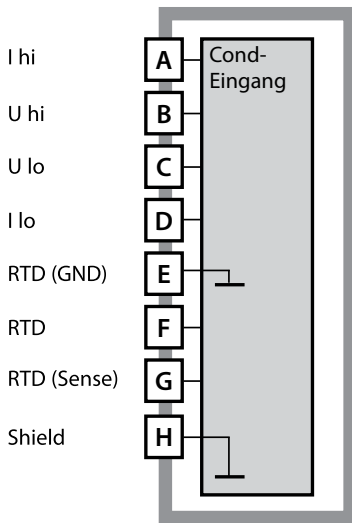


Klemmenschild Modul pH-Messung

Anschlussklemmen geeignet für Einzeldrähte / Litzen bis 2,5 mm²

Klemmenschild Modul Gelöstsauerstoff-Messung

Anschlussklemmen geeignet für Einzeldrähte / Litzen bis 2,5 mm²



Modul Leitfähigkeitsmessung medienberührt (COND)

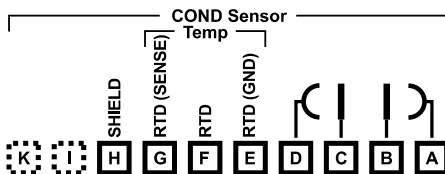
Bestellnummer MK-COND025

Beschaltungsbeispiele siehe Dokumenta-
tions-CD oder www.knick.de

Modul Leitfähigkeitsmessung induktiv (CONDI)

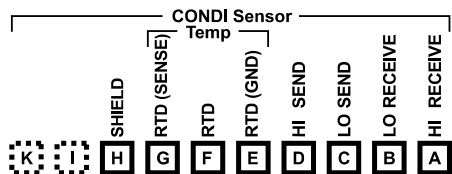
Bestellnummer MK-CONDI035

Beschaltungsbeispiele siehe Doku-
mentations-CD oder www.knick.de



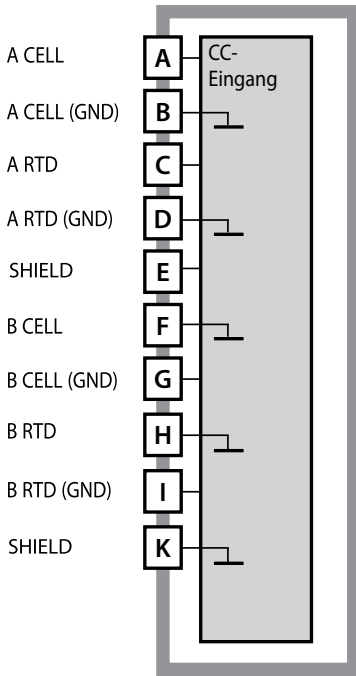
Klemmschild Modul COND

Anschlussklemmen geeignet für Einzel-
drähte / Litzen bis 2,5 mm²

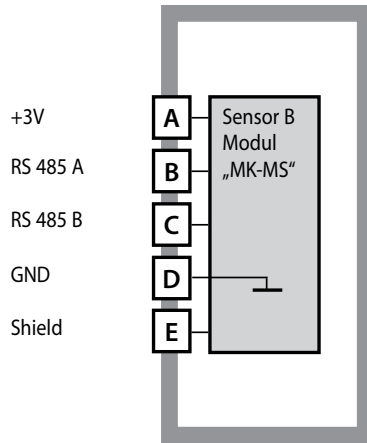


Klemmschild Modul CONDI

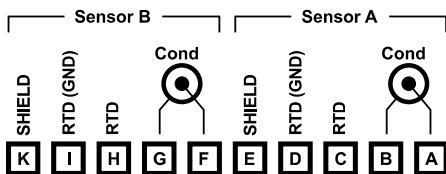
Anschlussklemmen geeignet für Einzel-
drähte / Litzen bis 2,5 mm²



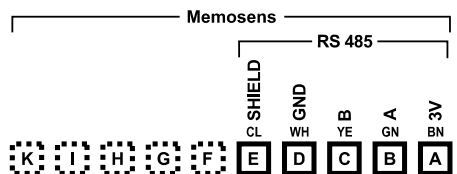
Modul 2 x Leitfähigkeitsmessung
 Bestellnummer MK-CC065 (nicht Ex!)
 Beschaltungsbeispiele siehe Dokumentations-CD oder www.knick.de



Modul 2. Kanal Memosens
 Bestellnummer MK-MS095
 Beschaltungsbeispiele siehe Dokumentations-CD oder www.knick.de



Klemmschild
2 x Leitfähigkeitsmessung
 Anschlussklemmen geeignet für Einzeldrähte / Litzen bis 2,5 mm²



Klemmschild
Modul 2. Kanal Memosens
 Anschlussklemmen geeignet für Einzeldrähte / Litzen bis 2,5 mm²

Inbetriebnahme

Beim ersten Einschalten des Gerätes erfolgt eine Abfrage nach dem gewünschten Messverfahren (ein angeschlossener Memosens-Sensor wird nicht automatisch erkannt).

Ändern des Messverfahrens

Ein anderes Messverfahren kann jederzeit im Menü „Service“ eingestellt werden.

Kalibrierung und Wartung im Labor

Die Software „MemoSuite“ erlaubt das Kalibrieren von Memosens-Sensoren unter reproduzierbaren Bedingungen am PC im Labor. Die Sensor-Parameter werden in einer Datenbank erfasst. Dokumentation und Archivierung entsprechen Anforderungen gemäß FDA CFR 21 Part 11. Detaillierte Protokolle können als csv-Export für Excel ausgegeben werden. MemoSuite wird als Zubehör in den Versionen „Basic“ und „Advanced“ angeboten: www.knick.de.

Einstellungen und Vorgaben

Angeschlossener Sensor: Sensortyp, Hersteller, Bestell- und Seriennummer

Funktionsauswahl: Die aktuell gewählte Funktion ist hell hinterlegt.

Angeschlossener Sensor: Sensortyp, Hersteller, Bestell- und Seriennummer, Messstelle und Messstellenummer

Letzte Justierung

Mit einem Mausklick lassen sich die Messwerte vergrößert darstellen.

The screenshot shows the MemoSuite software interface. At the top, there is a navigation bar with icons for Startcenter, Kalibrieren, Tabellenansicht, Historie, Statistik, and pH-Puffer. The main area is divided into three sections: 'Aktuelle Messwerte' (Current Measurements), 'Sensordaten' (Sensor Data), and 'Justierdaten' (Calibration Data). The 'Aktuelle Messwerte' section shows pH-Wert: 7,09 pH, pH-Spannung: 49,2 mV, and Temperatur: 25,1 °C. The 'Sensordaten' section shows Sensortyp: pH (Glas), Hersteller: KNICK, Bestellnummer: SE 533X/1-NMSN, Seriennummer: 1030550, Messstelle: 0, and Messstellen-Nr.: 0. The 'Justierdaten' section shows Datum: 27.06.2011 20:09:12, Steilheit: 58,5 mV/pH, and Nullpunkt: 7,06 pH. A red circle highlights the pH value '7,09 pH' in the 'Aktuelle Messwerte' section, and another red circle highlights the same value in a larger, zoomed-in view at the bottom of the page.

Aktuelle Messwerte	
pH-Wert	7,09 pH
pH-Spannung	49,2 mV
Temperatur	25,1 °C

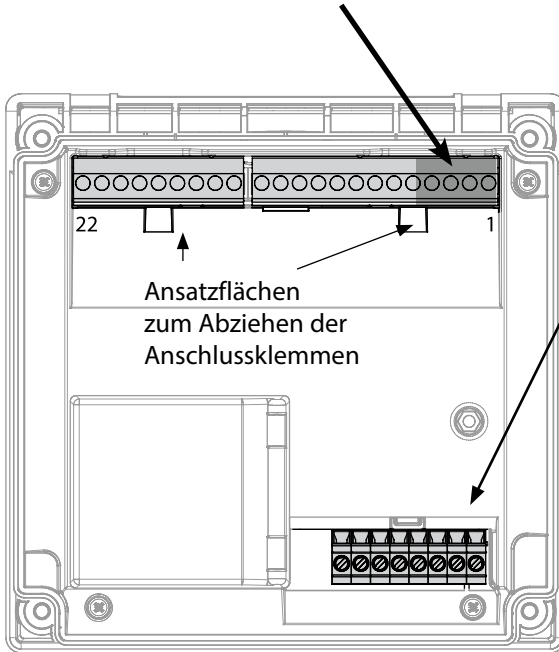
Sensordaten	
Sensortyp:	pH (Glas)
Hersteller:	KNICK
Bestellnummer:	SE 533X/1-NMSN
Seriennummer:	1030550
Messstelle:	0
Messstellen-Nr.:	0

Justierdaten	
Datum:	27.06.2011 20:09:12
Steilheit:	58,5 mV/pH
Nullpunkt:	7,06 pH

Vergrößerte Messwerte	
pH-Wert	7,09 pH

Standard-Anschluss (Sensor A)

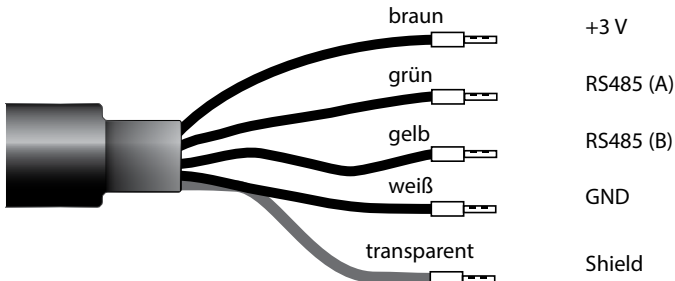
1	braun	+3 V
2	grün	RS 485 A
3	gelb	RS 485 B
4	weiß/transp.	GND/shield



Bei Dualgeräten (2 Messkanäle): (Modul MK-MS095) Anschluss Sensor B

A	braun	+3 V
B	grün	RS 485 A
C	gelb	RS 485 B
D	weiß	GND
E	transp.	SHIELD

Das Memosens-Kabel



Anschlusskabel für die kontaktlose induktive digitale Übertragung von Messsignalen (Memosens).

Das Memosens-Kabel verhindert Störungen der Messung durch eine perfekte galvanische Trennung zwischen Sensor und Analysenmessgerät. Jegliche Einflüsse von Feuchtigkeit und Korrosion werden unterbunden.

Technische Daten

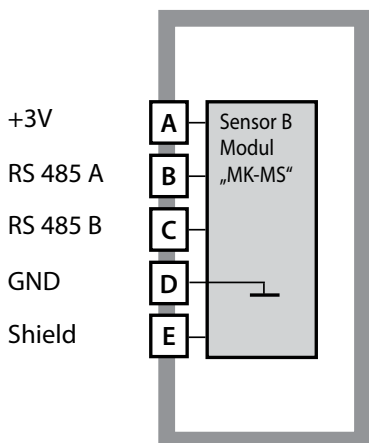
Material	TPE
Kabeldurchmesser	6,3 mm
Länge	bis zu 100 m
Prozesstemperatur	-20 °C ... 135 °C / -4...+275 °F
Schutzart	IP 68

Typschlüssel

	Kabeltyp	Kabellänge	Bestellnummer
Memosens	Aderendhülsen	3 m	CA/MS-003NAA
		5 m	CA/MS-005NAA
		10 m	CA/MS-010NAA
		20 m	CA/MS-020NAA
	M12-Stecker, 8-polig	3 m	CA/MS-003NCA
		5 m	CA/MS-005NCA
Memosens Ex^{*)}	Aderendhülsen	3 m	CA/MS-003XAA
		5 m	CA/MS-005XAA
		10 m	CA/MS-010XAA
		20 m	CA/MS-020XAA
	M12-Stecker, 8-polig	3 m	CA/MS-003XCA
		5 m	CA/MS-005XCA

Andere Kabellängen und weitere Kabeltypen auf Anfrage lieferbar.

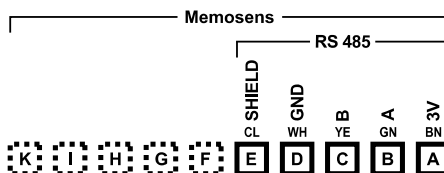
^{*)} Ex-zertifiziert ATEX II 1G Ex ia IIC T3/T4/T6 Ga



Modul 2. Kanal Memosens

Bestellnummer MK-MS095...

Beschaltungsbeispiel siehe folgende Seite



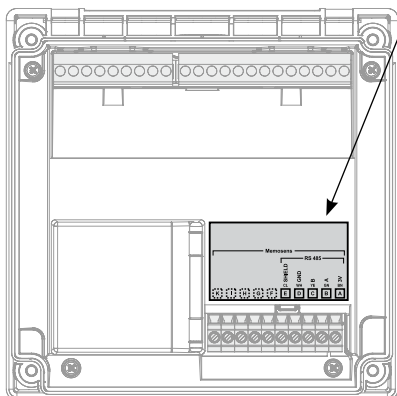
Klemmschild Modul

2. Kanal Memosens

Anschlussklemmen geeignet für Einzeldrähte / Litzen bis 2,5 mm²

Dem Wechselmodul liegt ein selbstklebendes Label bei.

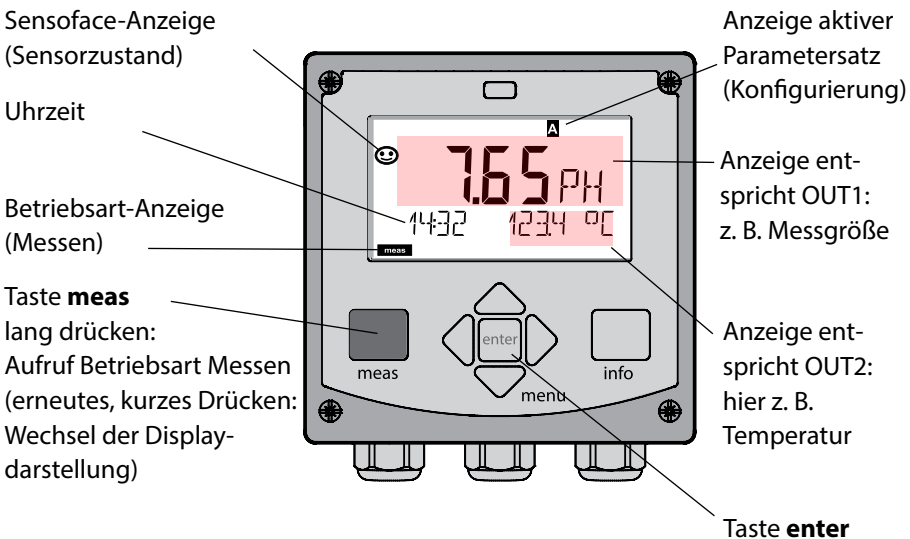
Bringen Sie das Label auf dem Modulschacht der Gerätefront auf. Sie haben so die Beschaltung „sicher im Griff“.



Betriebsart Messen

Voraussetzung: Ein Memosens-Sensor ist angeschlossen bzw. ein Wechselmodul mit angeschlossenem analogen Sensor gesteckt.

Nach Zuschalten der Betriebsspannung geht das Gerät automatisch in die Betriebsart „Messen“. Aufruf der Betriebsart Messen aus einer anderen Betriebsart heraus (z. B. Diagnose, Service): Taste **meas** lang drücken (> 2 s).



Je nach Konfiguration können Sie verschiedene Anzeigen als Standard-Display für die Betriebsart „Messen“ einstellen (s. S. 71).

Hinweis: Durch Drücken der Taste **meas** in der Betriebsart Messen lassen sich die Displaydarstellungen temporär für ca. 60 s einblenden.



Achtung:

Um das Gerät an die Messaufgabe anzupassen, muss es konfiguriert werden!

Pfeiltasten

auf / ab

- Menü:
Ziffernwert erhöhen / verringern
- Menü: Auswahl

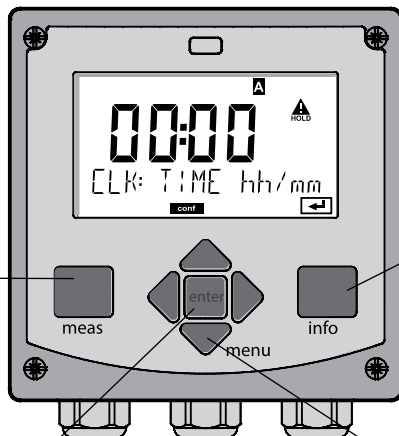
Pfeiltasten

links / rechts

- Menü:
vorherige/nächste Menügruppe
- Zahleneingabe:
Stelle nach links/ rechts

meas

- Im Menü eine Ebene zurück
- Direkt in den Messmodus (> 2 s drücken)
- Messmodus:
andere Displaydarstellung (temporär für ca. 60 s)



info

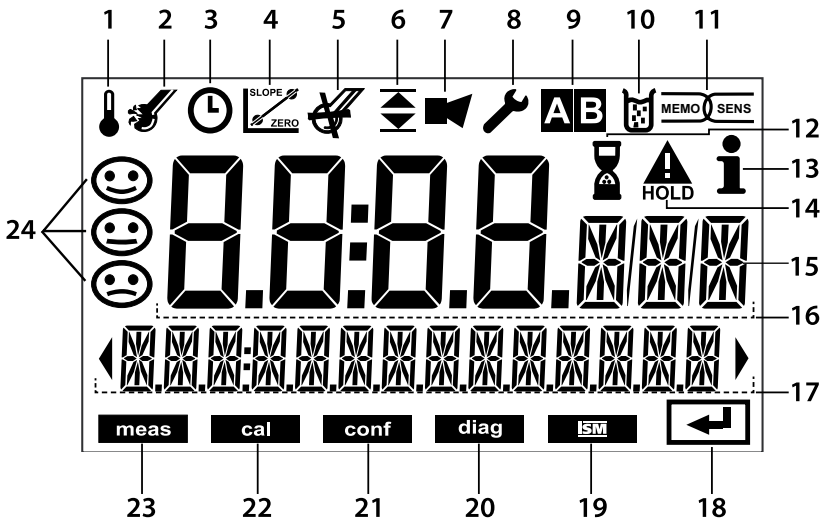
- Informationen abrufen
- Fehlermeldungen anzeigen

enter

- Konfigurierung:
Eingaben bestätigen, nächster Konfigurierschritt
- Kalibrierung:
weiter im Programmablauf

menu

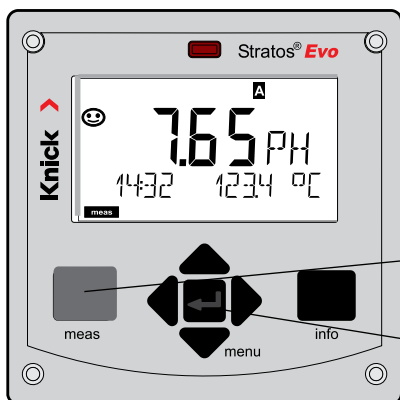
- Messmodus:
Menü aufrufen



- | | | | |
|----|--|----|--------------------|
| 1 | Temperatur | 13 | Info verfügbar |
| 2 | Sensocheck | 14 | HOLD-Zustand aktiv |
| 3 | Intervall/Einstellzeit | 15 | Messwertzeichen |
| 4 | Sensordaten | 16 | Hauptanzeige |
| 5 | Sensocheck | 17 | Nebenanzeige |
| 6 | Meldung Grenzwert:
Limit 1 ▼ bzw. Limit 2 ▲ | 18 | weiter mit enter |
| 7 | Alarm | 19 | ISM-Sensor |
| 8 | Service | 20 | Diagnose |
| 9 | Parametersatz | 21 | Konfiguriermodus |
| 10 | Kalibrierung | 22 | Kalibriermodus |
| 11 | Memosens-Sensor | 23 | Messmodus |
| 12 | Wartezeit läuft | 24 | Sensoface |

Signalfarben (Displayhinterleuchtung)

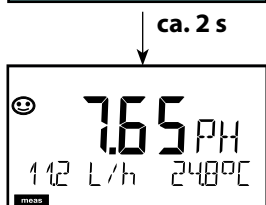
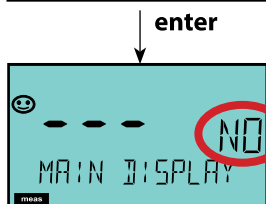
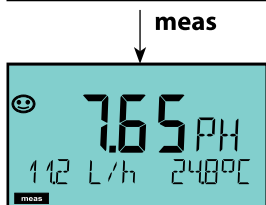
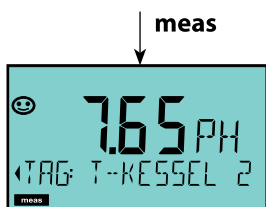
- | | |
|--------------|--|
| rot | Alarm (im Fehlerfall: blinkende Anzeigewerte) |
| rot blinkend | Fehleingabe: unzulässiger Wert bzw. falsche Passzahl |
| orange | HOLD-Zustand (Kalibrierung, Konfigurierung, Service) |
| türkis | Diagnose |
| grün | Info |
| magenta | Sensoface-Meldung (Voralarm) |



Als MAIN DISPLAY wird die im Messmodus aktive Anzeige bezeichnet. Den Messmodus rufen Sie aus anderen Betriebsarten durch längeres Drücken der Taste **meas** auf (> 2 s).

Taste **meas**

Taste **enter**



Kurzes Drücken von **meas** ruft weitere Displaydarstellungen auf, zum Beispiel Messstellenbezeichnung (TAG) oder Durchfluss (l/h). Diese sind türkis hinterleuchtet und wechseln nach 60 s zum Hauptdisplay.

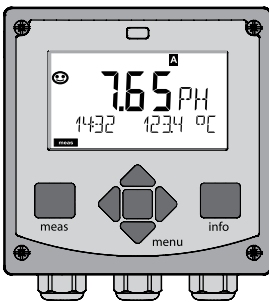
Um eine Displaydarstellung als MAIN DISPLAY auszuwählen, drücken Sie **enter**.

In der Nebenanzeige erscheint „MAIN DISPLAY – NO“. Wählen Sie mit den Cursor-Tasten **Auf** oder **Ab** „MAIN DISPLAY – YES“ und bestätigen Sie mit **enter**. Die Hinterleuchtung wechselt auf weiß. Diese Displaydarstellung erscheint nun im Messmodus.

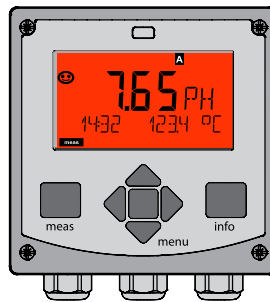
Die farbgeleitete Nutzerführung garantiert eine erhöhte Bedienungssicherheit und signalisiert Betriebszustände besonders deutlich.

Der normale Messmodus ist weiß hinterleuchtet, während Anzeigen im Informationsmodus grün und das Diagnosemenü türkis erscheinen. Der orangefarbene HOLD-Modus z. B. bei Kalibrierungen ist ebenso weithin sichtbar wie der Magenta-Farbtone zur optischen Unterstreichung von Asset-Management-Meldungen für die vorausschauende Diagnostik – wie z. B. Wartungsbedarf, Voralarm und Sensorverschleiß.

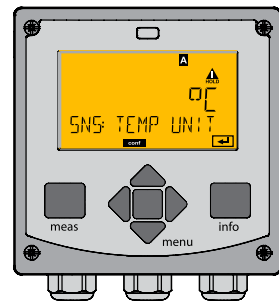
Der Alarmstatus selbst weist eine besonders auffallende rote Displayfarbe auf und wird auch noch durch blinkende Anzeigewerte signalisiert. Unzulässige Eingaben oder falsche Passzahlen lassen das gesamte Display rot blinken, so dass Bedienfehler deutlich reduziert werden.



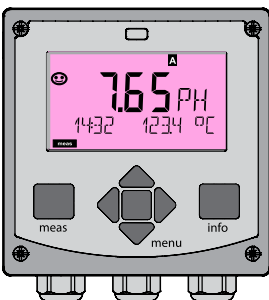
weiß:
Messmodus



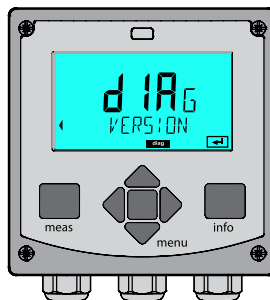
rot blinkend:
Alarm, Fehler



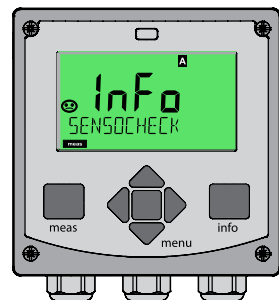
orange:
Hold-Zustand



magenta:
Wartungsbedarf



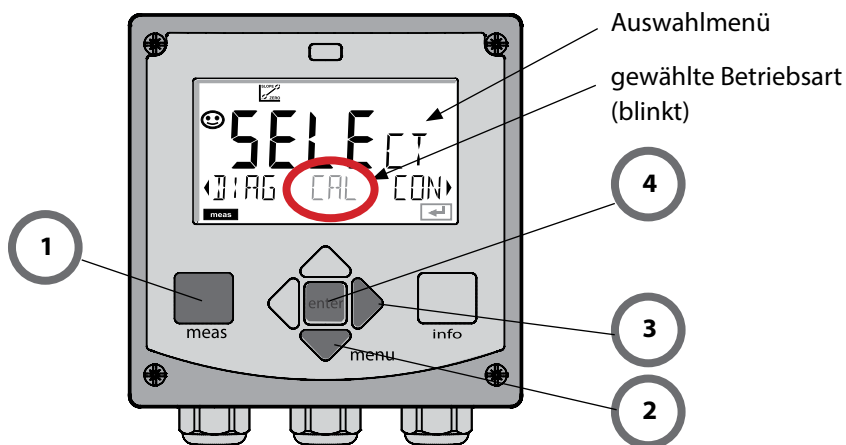
türkis:
Diagnose



grün:
Info-Texte

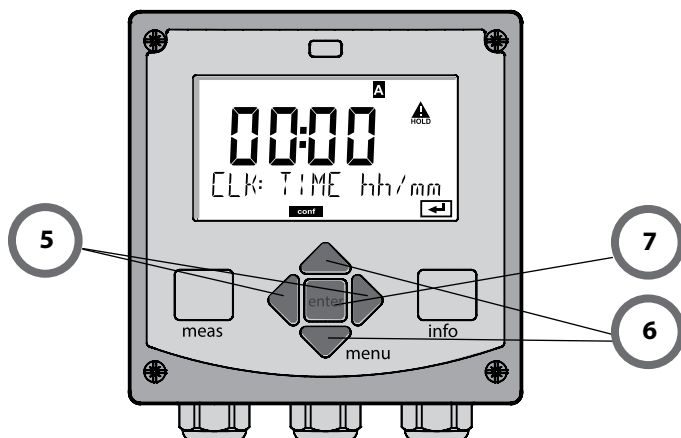
Betriebsart wählen:

- 1) Taste **meas** lang (> 2 s) drücken (Betriebsart Messen)
- 2) Taste **menu** drücken – das Auswahlmenü erscheint
- 3) Betriebsart mittels Pfeiltasten links / rechts wählen
- 4) Gewählte Betriebsart mit **enter** bestätigen



Werte eingeben:

- 5) Ziffernposition auswählen: Pfeiltaste links / rechts
- 6) Zahlenwert ändern: Pfeiltaste auf / ab
- 7) Eingabe bestätigen mit **enter**



Diagnose

Anzeige der Kalibrierdaten, Anzeige der Sensordaten, Sensormonitor, Durchführung eines Geräteselbsttests, Abruf der Logbuch-Einträge und Anzeige der Hard-/Softwareversion der einzelnen Komponenten. Das Logbuch kann 100 Einträge erfassen (00...99), sie sind direkt am Gerät einsehbar. Über eine TAN (Option) kann das Logbuch auf 200 Einträge erweitert werden.

HOLD

Manueller Aufruf des Betriebszustandes HOLD, z. B. für den Wechsel von Sensoren. Die Signalausgänge nehmen einen definierten Zustand ein.

Kalibrierung

Jeder Sensor verfügt über typische Kenngrößen, die sich im Lauf der Betriebszeit ändern. Um einen korrekten Messwert liefern zu können, ist eine Kalibrierung erforderlich. Dabei prüft das Gerät, welchen Wert der Sensor bei Messung in einem bekannten Medium liefert. Wenn eine Abweichung besteht, dann kann das Gerät „justiert“ werden. In diesem Fall zeigt das Gerät den „tatsächlichen“ Wert an und korrigiert intern den Messfehler des Sensors. Die Kalibrierung muss zyklisch wiederholt werden. Die Zeitabstände zwischen den Kalibrierzyklen richten sich nach der Belastung des Sensors. Während der Kalibrierung geht das Gerät in den Betriebszustand HOLD.

Bei der Kalibrierung bleibt das Gerät im Kalibriermodus, bis dieser durch den Bediener verlassen wird.

Konfigurierung

Um das Gerät an die Messaufgabe anzupassen, muss es konfiguriert werden. In der Betriebsart „Konfigurierung“ wird eingestellt, welches Messverfahren gewählt und welcher Sensor angeschlossen wurde, welcher Messbereich übertragen werden soll und wann Warn- bzw. Alarmmeldungen erfolgen sollen. Während der Konfigurierung geht das Gerät in den Betriebszustand HOLD.

Der Konfiguriermodus wird automatisch 20 Minuten nach der letzten Tastenbetätigung verlassen. Das Gerät geht in den Messmodus.

Service

Wartungsfunktionen (Stromgeber, Relais test, Regler test), Passcodes vergeben, Auswahl Gerätetyp (pH/Oxy/Leitfähigkeit), zurückstellen auf Werkseinstellungen, Optionen (TAN) freischalten.

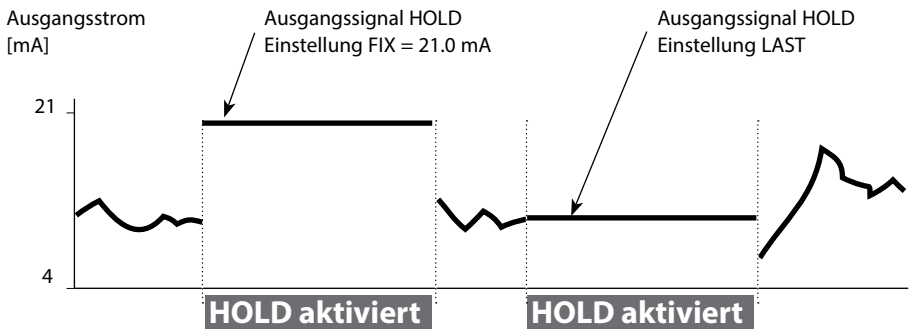
Der HOLD-Zustand ist ein Sicherheitszustand beim Konfigurieren und Kalibrieren. Der Ausgangsstrom ist eingefroren (Last) oder auf einen festen Wert gesetzt (Fix). Alarm- und Grenzwertkontakte sind inaktiv. Die Displayhinterleuchtung wechselt auf Orange, Anzeige auf dem Display:



Verhalten des Ausgangssignals

- **Last:** Der Ausgangsstrom wird auf den letzten Wert eingefroren. Ratsam bei kurzer Konfigurierung. Der Prozess darf sich während der Konfigurierung nicht wesentlich ändern. Änderungen werden in dieser Einstellung nicht bemerkt!
- **Fix:** Der Ausgangsstrom wird auf einen deutlich anderen Wert als den Prozesswert gesetzt, um dem Leitsystem zu signalisieren, dass am Gerät gearbeitet wird.

Ausgangssignal bei HOLD:



Beenden des Betriebszustands HOLD

Der HOLD-Zustand wird durch Wechsel in den Messmodus beendet (Taste **meas** lang drücken). Im Display erscheint „Good Bye“, anschließend wird HOLD aufgehoben.

Beim Verlassen der Kalibrierung erfolgt eine Sicherheitsabfrage, um sicherzustellen, dass die Messstelle wieder betriebsbereit ist (z. B.: Sensor wurde wieder eingebaut, befindet sich im Prozess).

HOLD extern auslösen

Der Betriebszustand HOLD kann von außen über ein Signal am HOLD-Eingang gezielt ausgelöst werden (z.B. über das Prozessleitsystem).

HOLD inaktiv	0...2 V AC/DC
HOLD aktiv	10...30 V AC/DC

Alarm

Bei Auftreten eines Fehlers erfolgt sofort die Anzeige **Err xx** im Display.

Erst nach Ablauf einer parametrierbaren Verzögerungszeit wird der Alarm registriert und ein Logbucheintrag erzeugt.

Bei Alarm blinkt das Display des Geräts, die Farbe der Displayhinterleuchtung wechselt auf **rot**.

Fehlermeldungen können zusätzlich durch ein 22-mA-Signal über den Ausgangsstrom gemeldet werden (bei entsprechender Auswahl in der Konfigurierung).

Bei Alarm und Hilfsenergieausfall wird der Alarmkontakt aktiv. Nach dem Wegfall eines Fehlerereignisses wird der Alarmzustand nach ca. 2 s gelöscht.

Auch Sensoface-Meldungen können 22 mA auslösen (konfigurierbar).

Meldung über den Eingang CONTROL erzeugen

(Durchfluss min. / Durchfluss max.)

Je nach Voreinstellung im Menü „Konfigurierung“ kann der Eingang CONTROL zur Parametersatzumschaltung bzw. zur Durchflussmessung (Impulsprinzip) verwendet werden.

Der Durchflussgeber muss vorher in CONTROL kalibriert werden: ADJUST FLOW

Bei Voreinstellung auf Durchflussmessung

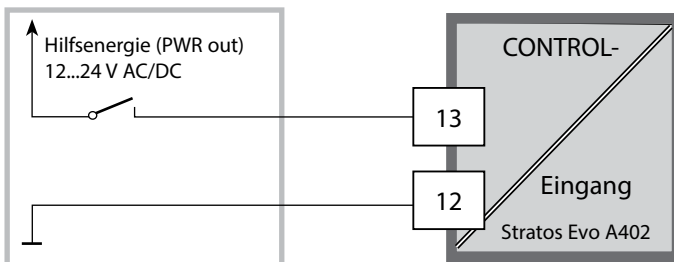
CONF/CNTR_IN/CONTROL = FLOW

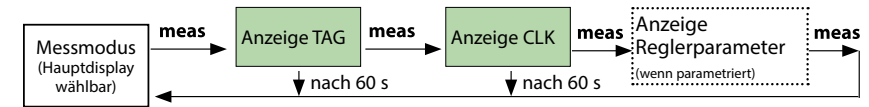
kann bei Überschreitung des minimalen bzw. maximalen Durchflusses ein Alarm generiert werden:

CONF/ALA/FLOW CNTR = ON

CONF/ALA/FLOW min (Wert eingeben, Voreinstellung ist 5 Liter/h)

CONF/ALA/FLOW max (Wert eingeben, Voreinstellung ist 25 Liter/h)





Drücken der Taste **menu** (Pfeiltaste unten) führt zum Auswahlménú. Mithilfe der Pfeiltasten rechts / links erfolgt die Auswahl der Menügruppe. Öffnen der Menüpunkte mit **enter**. Zurück mit **meas**.

DIAG

CALDATA	Anzeige der Kalibrierdaten
SENSOR	Anzeige der Sensorkennenden
SELFTEST	Selbsttest: RAM, ROM, EEPROM, Modul
LOGBOOK	100 Ereignisse mit Datum und Uhrzeit
MONITOR	Anzeige der direkten Sensorwerte
VERSION	Anzeige von Software-Version, Gerätetyp und Seriennummer

HOLD

Manuelles Auslösen des HOLD-Zustandes, z.B. für Sensorwechsel.
Die Signalausgänge verhalten sich wie parametrier (z.B. letzter Messwert, 21 mA)

CAL

pH	Justierung pH / Justierung ORP / Produktkalibrierung
Oxy	Justierung (WTR/AIR) / Justage Nullpunkt / Prod.-Kal.
COND(I)	Justierung mit Lösung / Eingabe Zellfaktor / Prod.-Kal.
CAL_RT D	Abgleich des Temperaturfühlers

CONF

PARSET A	Konfigurierung Parametersatz A / B siehe „Übersicht der Konfigurierung“ auf der Folgeseite
PARSET B	

SERVICE

(Zugriff über Code, Liefer-einstellung: 5555)

MONITOR	Anzeige der Messwerte für Validierungszwecke (Simulatoren)
SENSOR	Sensor (Rückstellung von Diagnosemeldungen)
POWER OUT	Wahl der Ausgangsspannung (3,1 V / 12 V / 15 V / 24 V)
OUT1	Stromgeber Ausgang 1
OUT2	Stromgeber Ausgang 2
RELAIS	Relaistest
CONTROL	Regler, manuelle Vorgabe der Stellgröße
CODES	Vergabe von Zugangscodes für die Betriebsarten
DEVICE TYPE	Auswahl Gerätetyp
DEFAULT	Rücksetzung auf Werksvoreinstellung
OPTION	Optionsfreischaltung über TAN

Die Konfigurierschritte sind in Menügruppen zusammengefasst. Mithilfe der Pfeiltasten links / rechts kann zur jeweils nächsten Menügruppe vor- bzw. zurückgesprungen werden. Jede Menügruppe besitzt Menüpunkte zur Einstellung der Parameter. Öffnen der Menüpunkte mit **enter**.

Das Ändern der Werte erfolgt mit den Pfeiltasten, mit **enter** werden die Einstellungen bestätigt/übernommen. Zurück zur Messung: **meas** lang drücken (> 2 s).

Wahl Menügruppe	Menügruppe	Code	Display	Wahl Menüpunkt
	Sensorauswahl (bei Mehrkanalgeräten: Wahl Sensor A / Sensor B)	SNS: (S_A / S_B)	Conf SENSOR	enter
		Menüpunkt 1	:	enter
		Menüpunkt ...		enter
▶	Stromausgang 1	OT1:	Conf OUT 1	enter
▶	Stromausgang 2	OT2:	Conf OUT 2	
▶	Kompensation	COR:	Conf CORRECTION	
▶	Schalteingang (Parametersatz bzw. Durchflussmessung)	IN:	0000 COR: TC L: BU: :	
▶	Alarmmodus	ALA:	Conf ALARM	
▶	Schaltausgänge	REL:	Conf REL 1/REL 2	
▶	Reinigung	WSH:	Conf WASH	
▶	Uhr stellen	CLK:	Conf CLOCK	
▶	Messstellenbezeichnung	TAG:	Conf TAG	

Hinweis: Bei den Dualgeräten MSPH-MSPH bzw. MSPH-MSOXY gibt es an Stelle der zwei Parametersätze die beiden Sensoren A und B.

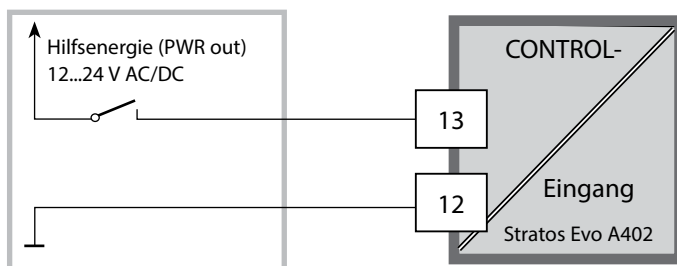
Parametersatz A/B: konfigurierbare Menügruppen

Das Gerät verfügt über 2 Parametersätze „A“ und „B“. Durch das Umschalten des Parametersatzes kann das Gerät so z. B. an zwei verschiedene Messsituationen angepasst werden. Der Parametersatz „B“ lässt nur die Einstellung prozessbezogener Parameter zu.

Menügruppe	Parametersatz A	Parametersatz B
SENSOR	Sensorauswahl	---
OUT1	Stromausgang 1	Stromausgang 1
OUT2	Stromausgang 2	Stromausgang 2
CORRECTION	Kompensation	Kompensation
CNTR_IN	Schalteingang	---
ALARM	Alarmmodus	Alarmmodus
REL 1/REL 2	Schaltausgänge	Schaltausgänge
WASH	Reinigung	---
PARSET	Parametersatzumschaltung (nicht bei Dualgeräten)	---
CLOCK	Uhr stellen	---
TAG	Messstellenbezeichnung	
GROUP	Messstellenkreis	

Parametersatz A/B extern umschalten




Über ein Signal am CONTROL-Eingang kann der Parametersatz A/B umgeschaltet werden (Parametrierung: CNTR-IN – PARSET).



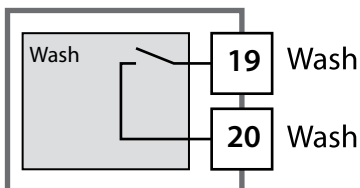
Parametersatz A aktiv 0...2 V AC/DC

Parametersatz B aktiv 10...30 V AC/DC

Parametersatz A/B: manuell umschalten

Display	Aktion	Bemerkung
	Manuelles Umschalten der Parametersätze: meas drücken	Das manuelle Umschalten der Parametersätze muss vorher in CONFIG gewählt werden. Liefereinstellung ist fester Parametersatz A. Falsch eingestellte Parameter verändern die Messeigenschaften!
	In der unteren Zeile blinkt PARSET. Mit Tasten ◀ und ▶ Parametersatz auswählen	
	Auswahl PARSET A / PARSET B	Der aktive Parametersatz wird im Display angezeigt: 
	Übernehmen mit enter Keine Übernahme mit meas	

Parametersatz A/B: Signalisierung mit WASH-Kontakt

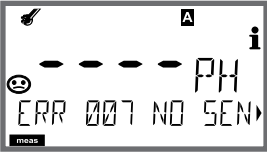


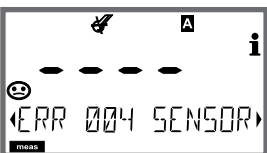



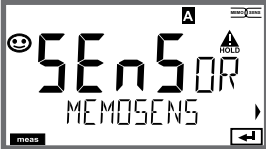
Der aktive Parametersatz kann mithilfe des Kontakts WASH gemeldet werden:

Wenn konfiguriert, dann signalisiert der WASH-Kontakt:

Parametersatz A: Kontakt offen

Parametersatz B: Kontakt geschlossen

Schritt	Aktion/Display	Bemerkung
Sensor anstecken		Bevor ein Memosens-Sensor angeschlossen wird, erscheint die Fehlermeldung „NO SENSOR“ im Display
Warten, bis die Sensordaten angezeigt werden.		Die Sanduhr blinkt im Display.
Sensordaten prüfen	 <p data-bbox="445 837 712 933">Mit Pfeiltasten ◀ ▶ Sensorinformationen anzeigen, mit enter bestätigen.</p>	Sensoface ist freundlich, wenn die Sensordaten in Ordnung sind.
In den Messmodus gehen	Taste meas , info oder enter drücken	Nach 60 s geht das Gerät automatisch in den Messmodus (timeout).
Mögliche Fehlermeldung		
Sensor defekt. Sensor tauschen		Wenn diese Fehlermeldung erscheint, kann der Sensor nicht verwendet werden. Sensoface ist traurig.

Schritt	Aktion/Display	Bemerkung
<p>HOLD-Zustand wählen Der Wechsel von Sensoren sollte immer im HOLD-Zustand erfolgen, um unbeabsichtigte Reaktionen der Ausgänge und der Kontakte zu vermeiden.</p>	<p>Mit Taste menu Auswahlmenü aufrufen, mit Pfeiltaste ◀ ▶ HOLD wählen, bestätigen mit enter.</p>	<p>Das Gerät befindet sich anschließend im HOLD-Zustand. Alternativ kann der HOLD-Zustand auch über den HOLD-Eingang extern ausgelöst werden. Während HOLD ist der Ausgangsstrom auf den letzten Wert eingefroren bzw. auf einen fixen Wert gesetzt.</p>
<p>Alten Sensor abziehen und ausbauen</p>		
<p>Neuen Sensor einbauen und anstecken.</p>		<p>Temporäre Meldungen, die beim Wechsel entstehen, werden im Display angezeigt, aber nicht auf dem Alarmkontakt ausgegeben und nicht in das Logbuch eingetragen.</p>
<p>Warten, bis die Sensordaten angezeigt werden.</p>		
<p>Sensordaten prüfen</p>	 <p>Mit Pfeiltasten ◀ ▶ Sensorinformationen anzeigen, mit enter bestätigen.</p>	<p>Sensorhersteller und -Typ, Seriennummer und letztes Kalibrierdatum können angezeigt werden.</p>
<p>Messwerte kontrollieren</p>		
<p>HOLD verlassen</p>	<p>Taste meas kurz drücken: zurück ins Auswahlmenü, langes Drücken von meas: Gerät geht in den Messmodus</p>	

Fehler	Info-Text (erscheint im Fehlerfall bei Druck auf die Info-Taste)	Problem mögliche Ursache
ERR 01	NO SENSOR	Sensorfehler Gerätetyp nicht zugewiesen Sensor defekt Sensor nicht angeschlossen Sensorkabel unterbrochen
ERR 02	WRONG SENSOR	Falscher Sensor
ERR 04	SENSOR FAILURE	Fehler im Sensor
ERR 05	CAL DATA	Fehler in Cal-Daten
ERR 10	ORP RANGE	Anzeigebereich unter-/überschritten ORP: < -1999 mV bzw. > 1999 mV
ERR 11	RANGE	Anzeigebereich unter-/überschritten
ERR 12	MV RANGE	Messbereich mV
ERR 13	TEMPERATURE RANGE	Temperaturbereich unter-/überschritten
ERR 14	rH RANGE	Bereichsfehler (rH)
ERR 15	SENSOCHECK GLASS-EL	Sensocheck Glas (pH)
ERR 60	OUTPUT LOAD	Bürdenfehler
ERR 61	OUTPUT 1 TOO LOW	Ausgangsstrom 1 < 0 (3,8) mA
ERR 62	OUTPUT 1 TOO HIGH	Ausgangsstrom 1 > 20,5 mA
ERR 63	OUTPUT 2 TOO LOW	Ausgangsstrom 2 < 0 (3,8) mA
ERR 64	OUTPUT 2 TOO HIGH	Ausgangsstrom 2 > 20,5 mA

Fehler	Info-Text (erscheint im Fehlerfall bei Druck auf die Info-Taste)	Problem mögliche Ursache
ERR 95	SYSTEM ERROR	Systemfehler Neustart erforderlich. Falls Fehler so nicht behebbar, Gerät einschicken.
ERR 97	WRONG MODULE	Modul stimmt nicht mit Mess- verfahren überein Korrigieren Sie die Einstellung im Menü SERVICE / DEVICE TYPE. Konfigurieren und Kalibrieren Sie das Gerät anschließend.
ERR 98	CONFIGURATION ERROR	Fehler Konfigurations- oder Kalibrierdaten Konfigurations- oder Kalibrier- daten defekt, konfigurieren und kalibrieren Sie das Gerät komplett neu.
ERR 99	DEVICE FAILURE	Fehler Abgleichdaten EEPROM oder RAM defekt Diese Fehlermeldung tritt nur bei komplettem Defekt auf. Das Gerät muss im Werk repariert und neu abgeglichen werden.
ERR 100	INVALID SPAN OUT1	Parametrierfehler Span Out1 Messspanne zu klein gewählt
ERR 101	INVALID SPAN OUT2	Parametrierfehler Span Out2 Messspanne zu klein gewählt

Fehler	Info-Text (erscheint im Fehlerfall bei Druck auf die Info-Taste)	Problem mögliche Ursache
ERR 102	pH: FAILURE BUFFERSET -U1-	Parametrierfehler kundenspezifischer Puffersatz U1
	Mehrkanalbetrieb: MSPH/MSPH, MSPH/MSOXY: A FAILURE BUFFERSET -U1-	Parametrierfehler kundenspezifischer Puffersatz U1, Sensor A
ERR 104	INVALID PARAMETER CONTROLLER	Parametrierfehler Regler
ERR 105	INVALID SPAN I-INPUT	Parametrierfehler Stromeingang
ERR 106	INVALID CHANNEL SELECTION OUT1/2	Mehrkanalbetrieb: MSPH/MSPH, MSPH/MSOXY: Ströme nicht zugeordnet
ERR 107	INVALID CHANNEL SELECTION RELAYS	Mehrkanalbetrieb: MSPH/MSPH, MSPH/MSOXY: Grenzwerte nicht zugeordnet
ERR 108	Mehrkanalbetrieb: MSPH/MSPH, MSPH/MSOXY: INVALID CHANNEL SELECTION CONTROL	Regler nicht zugeordnet

Sensoface-Meldungen:

Kalibriertimer abgelaufen:	OUT OF CAL TIME CALIBRATE OR CHANGE SENSOR
TTM bei ISM (pH):	OUT OF MAINTENANCE CLEAN SENSOR
TTM bei ISM (Oxy):	OUT OF MAINTENANCE CHECK ELECTROLYTE AND MEMBRANE
DLI bei ISM:	END OF LIFETIME CHANGE SENSOR OR INNERBODY
ISFET-Sensor Offset:	SENSOR ISFET-ZERO CALIBRATE OR CHANGE SENSOR
Sensor Nullpunkt/Steilheit:	SENSOR ZERO/SLOPE CALIBRATE OR CHANGE SENSOR
Sensor Einstellzeit:	SENSOR DRIFT CALIBRATE OR CHANGE SENSOR
Sensorverschleiß (pH):	SENSOR WEAR CHANGE SENSOR
Sensorverschleiß (Oxy MS):	SENSOR WEAR CHECK ELECTROLYTE AND MEMBRANE
Sensorverschleiß (LDO SE 740):	SENSOR WEAR CHANGE SENSOR CAP
Autoklavierzähler:	AUTOCLAVE CYCLES OVERRUN
CIP-Zyklen überschritten:	CIP-CYCLES OVERRUN
SIP-Zyklen überschritten:	SIP-CYCLES OVERRUN
Sensor-TAG stimmt nicht mit Geräteeintrag überein.	WRONG SENSOR TAG
Sensor-GROUP stimmt nicht mit Geräteeintrag überein.	WRONG SENSOR GROUP xxxx

Fehler	Info-Text (erscheint im Fehlerfall bei Druck auf die Info-Taste)	Problem mögliche Ursache
ERR 01	NO SENSOR	Sensorfehler Gerätetyp nicht zugewiesen Sensor defekt Sensor nicht angeschlossen Sensorkabel unterbrochen
ERR 02	WRONG SENSOR	Falscher Sensor
ERR 04	SENSOR FAILURE	Fehler im Sensor
ERR 05	CAL DATA	Fehler in Cal-Daten
ERR 10	CONDUCTANCE TOO HIGH Gerätetyp Cond-Cond: Kanal A	Messbereich Leitwert überschritten
ERR 11	RANGE CONDUCTIVITY Gerätetyp Cond-Cond: Kanal A	Anzeigebereich unter-/überschritten
ERR 13	TEMPERATURE RANGE Gerätetyp Cond-Cond: Kanal A	Temperaturbereich unter-/überschritten
ERR 15	SENSOCHECK Gerätetyp Cond-Cond: Kanal A	Sensor- oder Zuleitungsfehler
ERR 40	CONDUCTANCE TOO HIGH Gerätetyp Cond-Cond: Kanal B	Messbereich Leitwert überschritten
ERR 41	RANGE CONDUCTIVITY Gerätetyp Cond-Cond: Kanal B	Anzeigebereich unter-/überschritten
ERR 43	TEMPERATURE RANGE Gerätetyp Cond-Cond: Kanal B	Temperaturbereich unter-/überschritten
ERR 45	SENSOCHECK Gerätetyp Cond-Cond: Kanal B	Sensor- oder Zuleitungsfehler

Fehler	Info-Text (erscheint im Fehlerfall bei Druck auf die Info-Taste)	Problem mögliche Ursache
ERR 59	INVALID CALCULATION	Berechnungen ungültig
ERR 60	OUTPUT LOAD	Bürdenfehler
ERR 61	OUTPUT 1 TOO LOW	Ausgangsstrom 1 < 0 (3,8) mA
ERR 62	OUTPUT 1 TOO HIGH	Ausgangsstrom 1 > 20,5 mA
ERR 63	OUTPUT 2 TOO LOW	Ausgangsstrom 2 < 0 (3,8) mA
ERR 64	OUTPUT 2 TOO HIGH	Ausgangsstrom 2 > 20,5 mA
ERR 72	FLOW TOO LOW	Durchfluss zu gering
ERR 73	FLOW TOO HIGH	Durchfluss zu hoch

Fehler	Info-Text (erscheint im Fehlerfall bei Druck auf die Info-Taste)	Problem mögliche Ursache
ERR 95	SYSTEM ERROR	Systemfehler Neustart erforderlich. Falls Fehler so nicht behebbar, Gerät einschicken.
ERR 96	WRONG MODULE	Modul stimmt nicht mit Messverfahren überein Korrigieren Sie die Einstellung im Menü SERVICE / DEVICE TYPE. Konfigurieren und Kalibrieren Sie das Gerät anschließend.
ERR 97	NO MODULE INSTALLED	Kein Modul installiert
ERR 98	CONFIGURATION ERROR	Fehler Konfigurations- oder Kalibrierdaten Konfigurations- oder Kalibrierdaten defekt, konfigurieren und kalibrieren Sie das Gerät komplett neu.
ERR 99	DEVICE FAILURE	Fehler Abgleichdaten EEPROM oder RAM defekt Diese Fehlermeldung tritt nur bei komplettem Defekt auf. Das Gerät muss im Werk repariert und neu abgeglichen werden.

Fehler	Info-Text (erscheint im Fehlerfall bei Druck auf die Info-Taste)	Problem mögliche Ursache
ERR 104	INVALID PARAMETER CONTROLLER	Parametrierfehler Regler
ERR 105	INVALID SPAN I-INPUT	Parametrierfehler Stromeingang
ERR 106	INVALID CHANNEL SELECTION OUT1/2	Cond-Cond: Out1-/Out2-Kanal nicht zugeordnet (abgeschaltet)
ERR 107	INVALID CHANNEL SELECTION RELAYS	Cond-Cond: Relais-Kanal nicht zugeordnet (abgeschaltet)
ERR 108	Cond, Condi, Cond-Cond: OUT1 INVALID CORNER X/Y	Bilineare Kennlinie: Eckpunkt ungültig
ERR 109	Cond, Condi, Cond-Cond: OUT2 INVALID CORNER X/Y	Bilineare Kennlinie: Eckpunkt ungültig
ERR 110	CATION EXCHANGER CAPACITY	Kapazität des Ionentauschers erschöpft – wechseln

Sensoface-Meldungen:

Überwachung Zellfaktor	SENSOR CELL FACTOR CALIBRATE OR CHANGE SENSOR
Überwachung Tabelle (TC/Conc/Sal/USP)	OUT OF INTERNAL TABLE
Überwachung Nullpunkt	SENSOR ZERO CALIBRATE OR CHANGE SENSOR
Überwachung Zellfaktor/ Nullpunkt	SENSOR ZERO/CELL FACTOR CALIBRATE OR CHANGE SENSOR
Sensor-TAG stimmt nicht mit Geräteeintrag überein.	WRONG SENSOR TAG
Sensor-GROUP stimmt nicht mit Geräteeintrag überein.	WRONG SENSOR GROUP xxxx

Le Stratos Evo est un appareil à 4 fils conçu pour l'analytique de process. L'appareil est livré dans un modèle de base conçu pour la mesure à l'aide de sondes numériques (Memosens, mesure d'oxygène optique, mesure de conductivité inductive). Tous les types de mesure sont conservés dans une mémoire interne. Il suffit de sélectionner un type de mesure pour que l'appareil s'adapte à l'application spécifique souhaitée. Pour des applications avec des sondes analogiques, il est par ailleurs possible de connecter d'autres modules de mesure. La version A402B permet une utilisation en zone Ex 2. L'alimentation est assurée par une alimentation secteur universelle 80 ... 230 V CA, 45 ... 65 Hz / 24 ... 60 V CC. En sortie, l'appareil est équipé de deux sorties de courant (0) 4 ... 20 mA pour la transmission de la valeur mesurée et de la température par ex. Quatre contacts de commutation flottants sont disponibles et peuvent être librement configurés. Un régulateur PID et une fonction de nettoyage à heure programmable sont paramétrables. Deux jeux de paramètres sont disponibles et peuvent être commutés par signal externe, via l'entrée Control, par ex. L'entrée HOLD permet de sélectionner l'état de fonctionnement HOLD via un signal externe. L'appareil permet aussi l'alimentation et l'utilisation des valeurs de convertisseurs supplémentaires pour la surveillance du débit par ex.

Les types de mesure suivants sont disponibles :

- pH
- Potentiel redox
- Oxygène
- Oxygène, optique
- Mesure de la conductivité (conductive/inductive)
- Mesure de la double conductivité avec deux sondes analogiques
- Mesure double pH/pH et pH/Oxy avec deux sondes Memosens

Le boîtier et les possibilités de montage

- Le boîtier en plastique robuste est conçu pour la classe de protection IP 67/ NEMA 4X outdoor, matériau unité avant : PBT, boîtier arrière : PC.
Dimensions : H 148 mm, L 148 mm, P 117 mm.
Perforations dans le boîtier pour :
- Montage face avant (découpe 138 mm x 138 mm conf. à DIN 43700)
- Montage mural (avec bouchon pour l'étanchéité du boîtier)
- Montage sur mât (Ø 40 ... 60 mm, □ 30 ... 45 mm)

Le raccordement des sondes et le passage des câbles

Pour le passage des câbles, le boîtier dispose de

- 3 ouvertures pour passe-câbles M20x1,5
- 2 ouvertures pour NPT 1/2 " ou Rigid Metallic Conduit

Écran

Un grand écran LCD rétroéclairé avec affichage en texte clair permet une utilisation intuitive. L'utilisateur peut choisir les valeurs qui doivent être affichées en mode Mesure standard («Main Display»).

Rétroéclairage en couleur

Le rétroéclairage en couleur signale les différents états de fonctionnement (par ex. alarme : rouge, état HOLD : orange).

Fonctions de diagnostic

Les dispositifs «Sensocheck» (surveillance automatique de l'électrode de verre et de référence) et «Sensoface» (représentation claire de l'état de la sonde) proposent des fonctions de diagnostic.

Data logger

Le journal de bord interne (fonction supplémentaire, TAN SW-A002) peut gérer jusqu'à 100 enregistrements, et jusqu'à 200 avec AuditTrail (fonction supplémentaire, TAN SW-A003).

Les 2 jeux de paramètres A, B

L'appareil offre deux jeux de paramètres sélectionnables via une entrée de commande ou manuellement pour diverses adaptations au processus ou divers états de processus.

Vue d'ensemble des jeux de paramètres (modèle à copier), voir CD ou www.knick.de.

Mot de passe

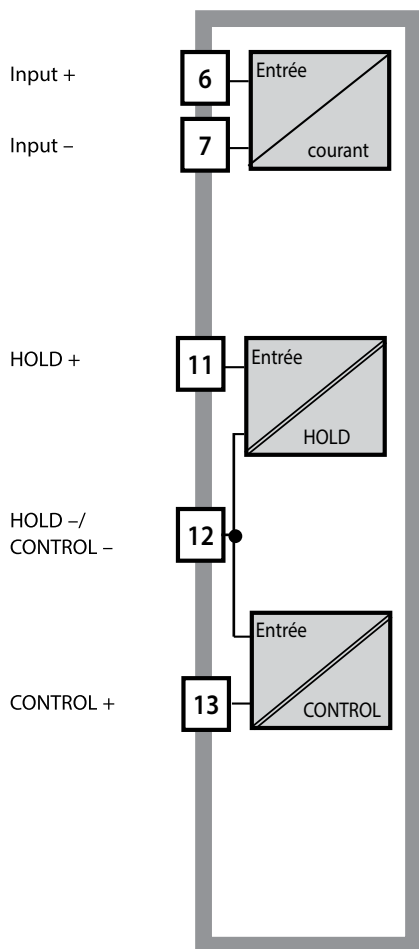
Il est possible de configurer une protection par mot de passe (code d'accès) pour attribuer des droits d'accès aux utilisateurs.

Calibrage automatique avec Calimatic

Les solutions tampon pH les plus courantes sont disponibles.

Un jeu de tampons pH personnel peut être aussi saisi.

Entrées de commande



Input I

L'entrée de courant analogique (0) 4 ... 20 mA peut être utilisée pour une compensation de pression ou de température externe.
(TAN nécessaire)

HOLD

(entrée de commande numérique flottante)
L'entrée HOLD peut être utilisée pour le déclenchement externe de l'état HOLD.

CONTROL

(entrée de commande numérique flottante)
L'entrée «Control» peut au choix être affectée au changement de jeu de paramètres (A/B) ou à la surveillance du débit.
Le contact «Wash» permet d'afficher le jeu de paramètres actif.

Alimentation électrique

Le Stratos est alimenté par une alimentation secteur universelle 80 ... 230 V CA, 45 ... 65 Hz / 24 ... 60 V CC.

Options

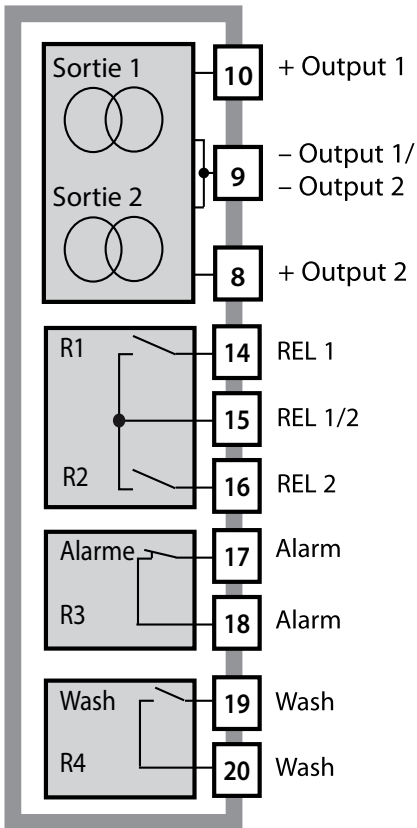
Des fonctions supplémentaires sont activables par TAN.

Sorties de signaux

En sortie, l'appareil est équipé de deux sorties de courant 0 (4) ... 20 mA pour la transmission de la valeur mesurée et de la température par ex.

Contacts de commutation

Quatre contacts de commutation flottants sont disponibles.



Sorties courant

Les sorties de courant flottantes (0) 4 ... 20 mA servent à la transmission de valeurs mesurées. Un filtre de sortie est programmable, la valeur du courant de défaut peut être pré-réglée.

Contacts de commutation

2 contacts relais pour seuils. Réglables pour le paramètre souhaité : hystérésis, commutation (seuil MIN / MAX), type de contact (travail / repos) et temporisation.

Alarme

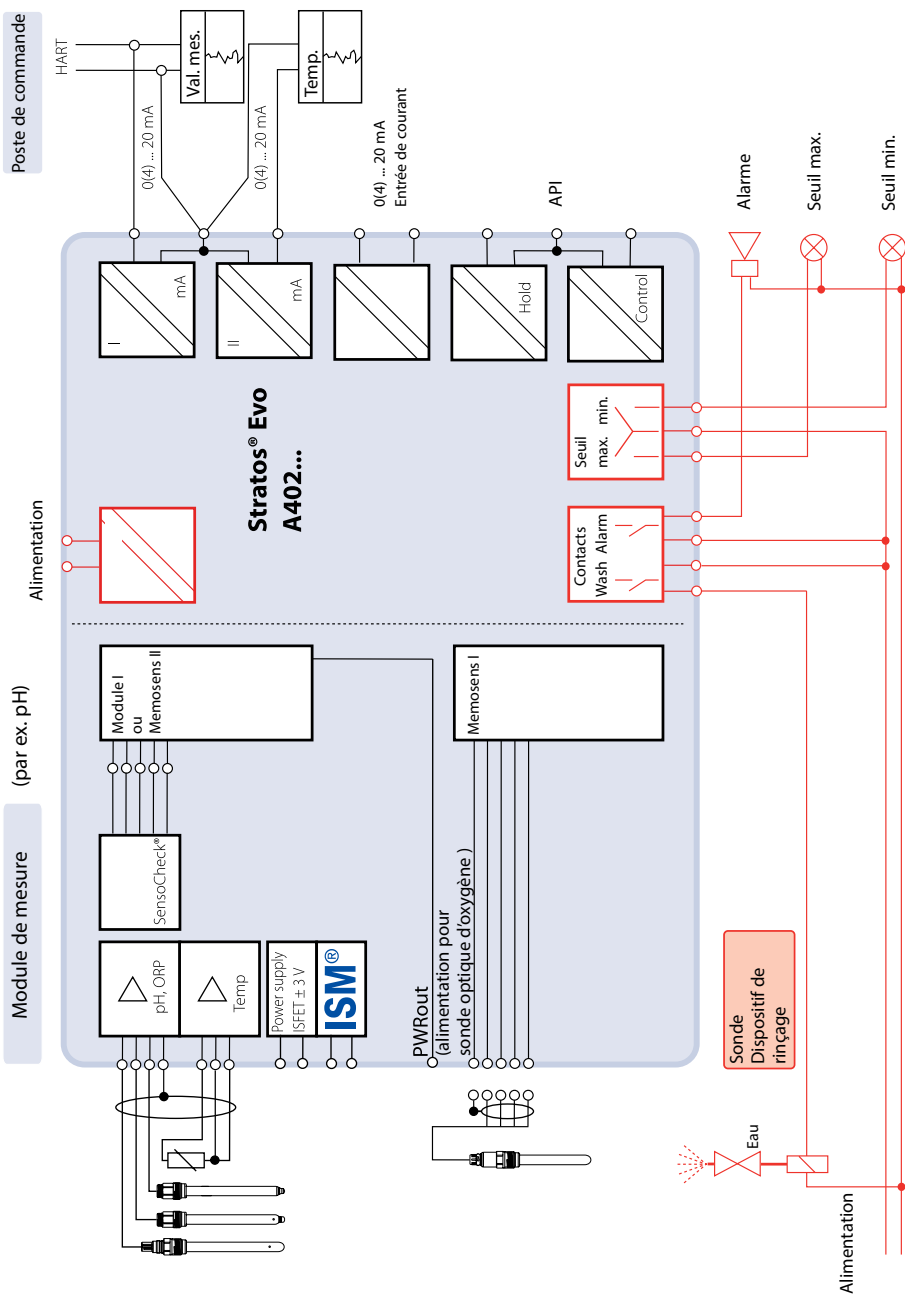
Une alarme peut être déclenchée par Sensocheck, la surveillance du débit ou une panne de courant.

Wash (fonction de nettoyage)

Le contact peut être utilisé pour commander des sondes de rinçage ou pour signaler le jeu de paramètres actif.

Régulateur PID

Configurable comme régulateur à durée d'impulsion ou à fréquence d'impulsion.



Contenu :

Vérifiez si les fournitures n'ont pas subi de dommages durant le transport et si le contenu de la livraison est complet !

La livraison comprend :

Unité avant, boîtier arrière, sachet de petites pièces

Relevé de contrôle spécifique

Documentation

CD-ROM

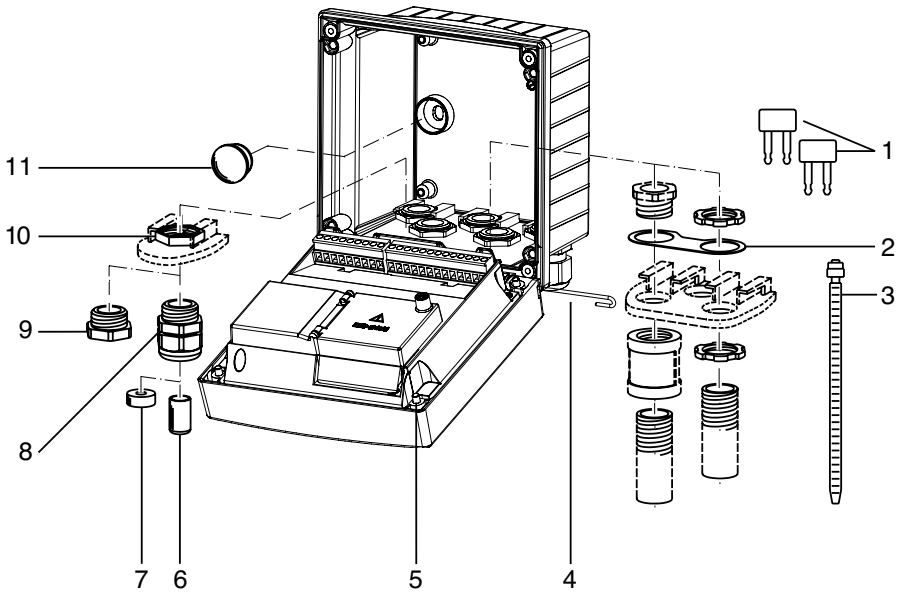
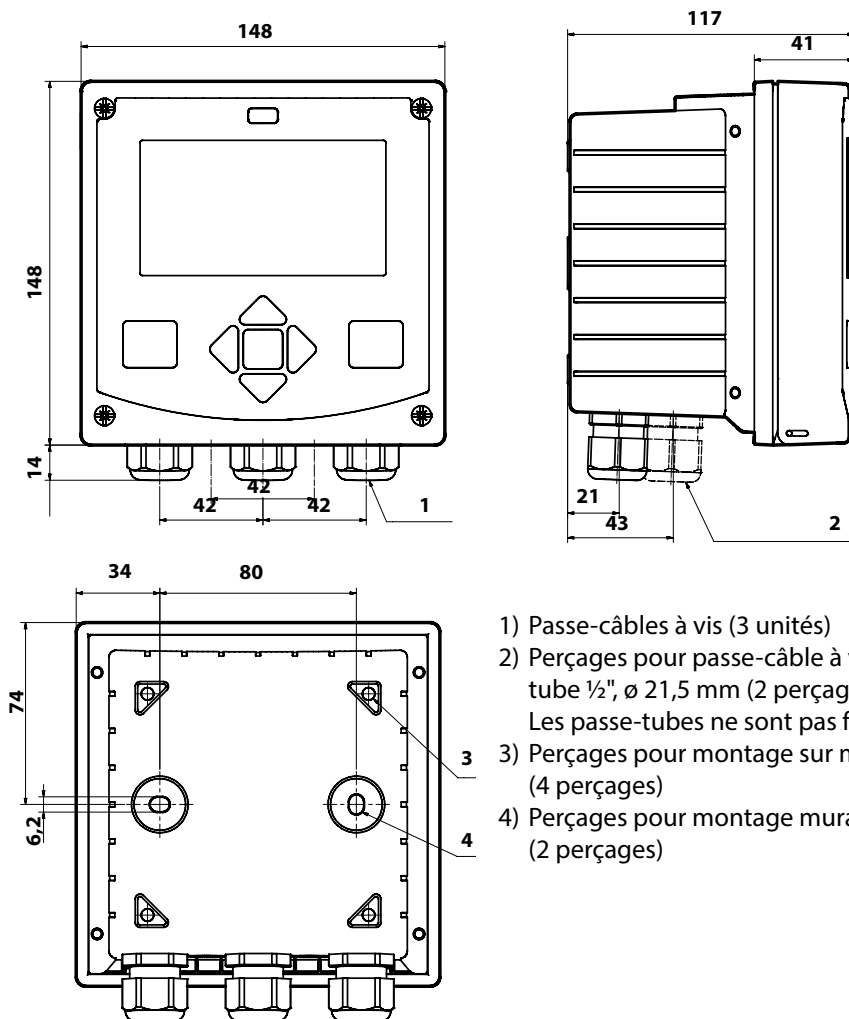


Fig. : Montage des composants du boîtier

- | | |
|---|--|
| 1) Shunt (3 unités) | 6) Tampon de fermeture (1 unité) |
| 2) Bride intermédiaire (1 unité), pour montage tube : bride intermédiaire entre le boîtier et l'écrou | 7) Caoutchouc de réduction (1 unité) |
| 3) Attache-câbles (3 unités) | 8) Passe-câbles à vis M20x1,5 (3 unités) |
| 4) Goupille de charnière (1 unité), enfichable des deux côtés | 9) Bouchon d'obturation (3 unités) |
| 5) Vis de boîtier (4 unités) | 10) Ecrou hexagonal (5 unités) |
| | 11) Bouchon d'étanchéité (2 unités), pour l'étanchéification en cas de montage mural |

Schéma de montage, dimensions



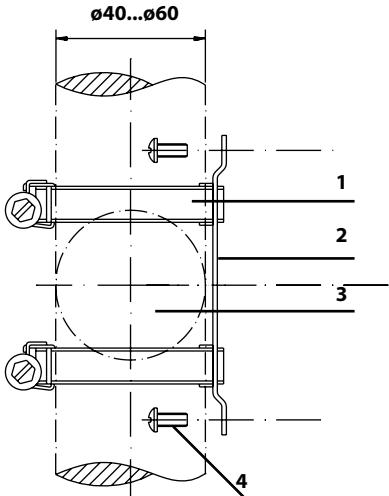
Accessoires de montage

Kit de montage sur mât, accessoire ZU 0274

Auvent de protection pour montage mural ou sur mât, accessoire ZU 0737

Kit de montage face avant, accessoire ZU 0738

Montage sur mât, auvent de protection



- 1) Collier de serrage avec vis de serrage selon DIN 3017 (2 unités)
- 2) Plaque de montage sur mât (1 unité)
- 3) Pour montage sur mât à la verticale ou à l'horizontale
- 4) Vis autotaraudeuse (4 unités)

Fig. : Kit de montage sur mât, accessoire ZU 0274

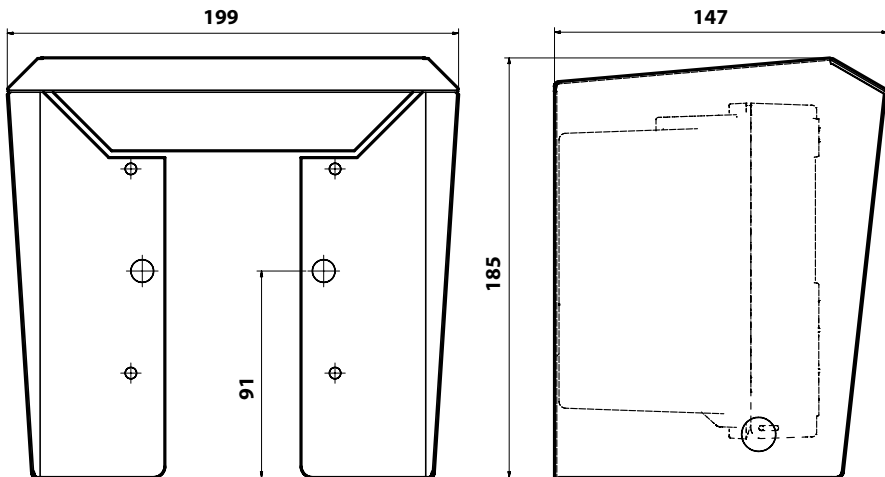
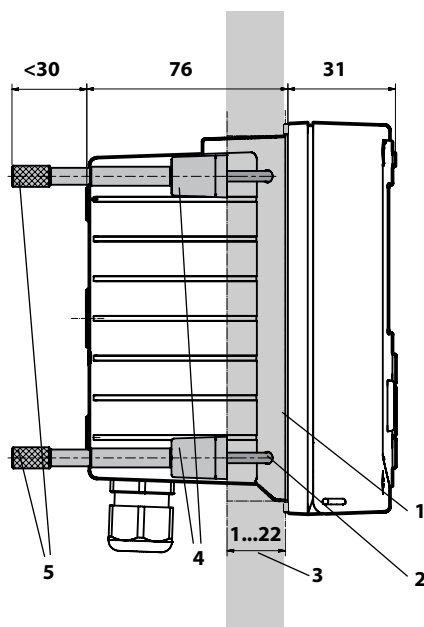


Fig. : Auvent de protection pour montage mural ou sur mât, accessoire ZU 0737

Montage face avant

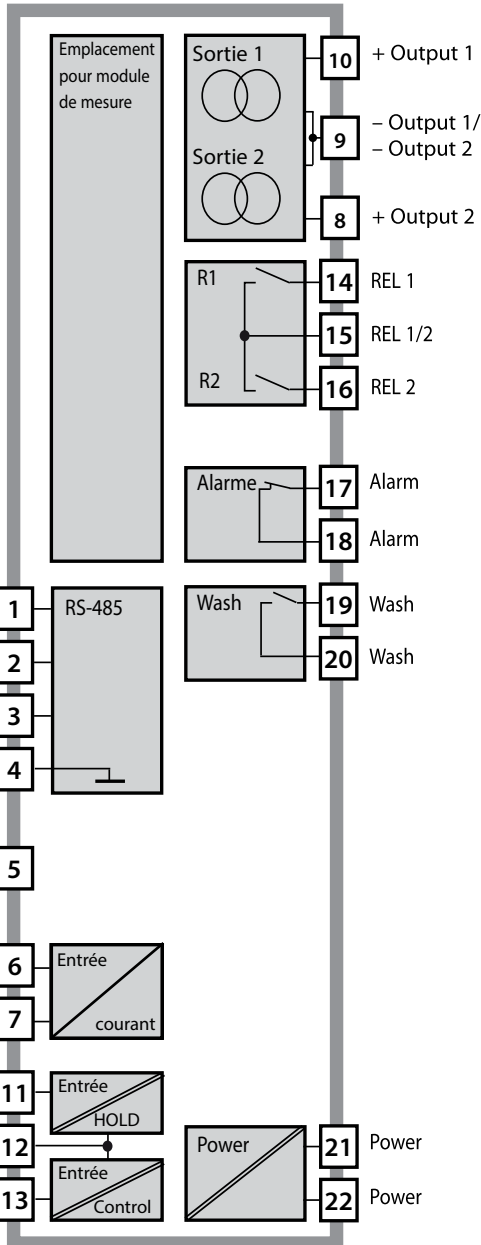


- 1) Joint périphérique (1 unité)
- 2) Vis (4 unités)
- 3) Emplacement du tableau de commande
- 4) Verrou (4 unités)
- 5) Douille filetée (4 unités)

Découpe du tableau
138 x 138 mm (DIN 43700)

Fig. : Kit de montage face avant, accessoire ZU 0738

Pour le raccordement de sondes conventionnelles :
Équiper le module de recharge (module de mesure)



Memosens

Alimentation électrique

Raccordement de l'alimentation pour le Stratos Evo aux bornes 21 et 22
(24 ... 230 V CA, 45 ... 65 Hz / 24 ... 80 V CC)

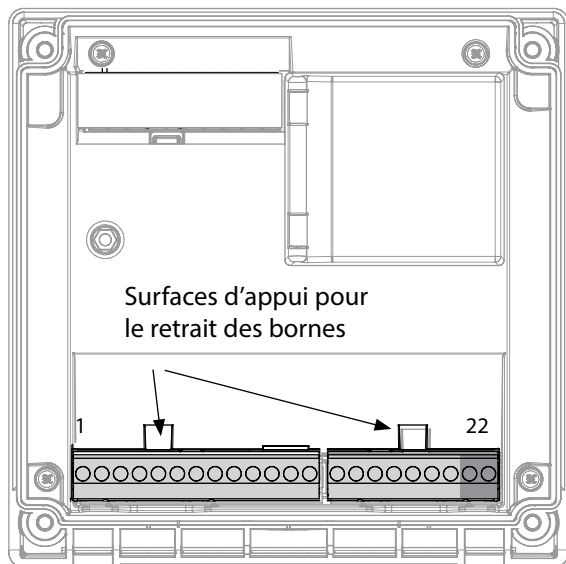


Illustration :
Bornes, appareil ouvert, face arrière de l'unité avant

Raccordement sonde Memosens

La sonde Memosens est raccordée à l'interface RS-485 de l'appareil de mesure.

Sélectionnez ensuite le type de mesure.
(Lorsque vous changerez de type de sonde, vous pourrez changer de type de mesure dans le menu Service.)

Lors de la sélection de la sonde dans le menu Configuration, les valeurs de calibrage de la sonde sont reprises et peuvent ensuite être modifiées par un calibrage.

Affectation des bornes

Raccordement Memosens

1 (BN)	+3 V	marron
2 (GN)	RS 485 A	vert
3 (YE)	RS 485 B	jaune
4 (WH)	GND/shield	blanc / blindage

5	Power Out
6	+ input
7	- input

Sorties de courant OUT1, OUT2

8	+ Out 2
9	- Out 2 / - Out 1 / HART
10	+ Out 1 / HART
11	HOLD
12	HOLD / Control
13	Control

Contacts commutation REL1, REL2

14	REL 1
15	REL 1/2
16	REL 2
17	alarm
18	alarm
19	wash
20	wash

Alimentation électrique

21	power
22	power

Consignes d'installation

- L'installation de l'appareil doit être effectuée uniquement par des spécialistes qualifiés en observant les règles de sécurité en vigueur et le manuel utilisateur !
- Lors de l'installation, il convient de tenir compte des caractéristiques techniques et des valeurs connectées !
- Ne pas entailler les brins des câbles en les dénudant !
- Avant de raccorder l'appareil à l'alimentation, s'assurer que la tension est comprise entre 80 et 230 V CA ou entre 24 et 60 V CC !
- Un signal électrique transmis à l'entrée de courant doit être à isolation galvanique. Si ce n'est pas le cas, un élément isolant doit être branché en amont.
- Lors de la mise en service, une configuration complète doit être effectuée par un spécialiste du système !

Bornes à vis

acceptent les fils monobrins et multibrins jusqu'à 2,5 mm²

Utilisation en atmosphère explosible

Pour l'utilisation en atmosphère explosible, consulter le document séparé « Certificats » :

Consignes de sécurité

Installation et utilisation

en atmosphère explosible

(uniquement pour les appareils Ex)

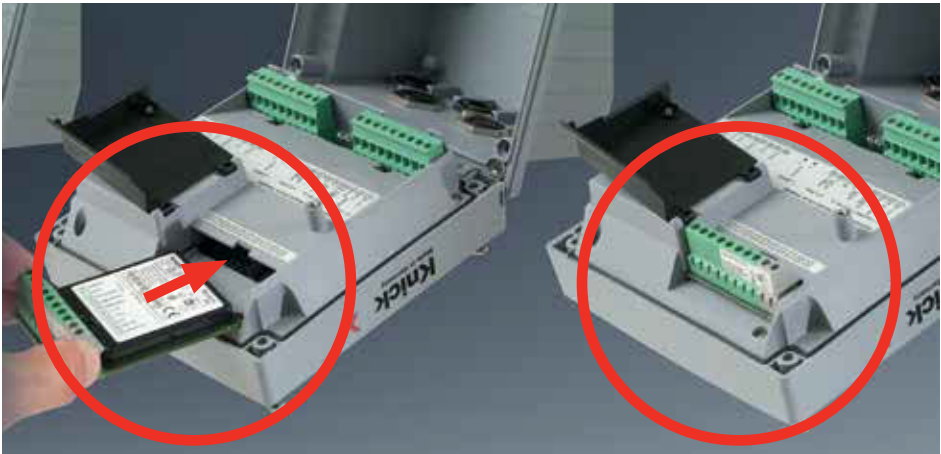
Mise en service

Lors de la première mise en service, l'appareil détecte automatiquement un module enfiché, le logiciel s'adapte au paramètre déterminé. Lorsqu'un module de mesure est remplacé par un autre, le type de mesure doit être spécifié dans le menu Service.

Ce n'est pas le cas pour le module multicanal de double mesure de la conductivité et le raccordement de sondes Memosens. Dans ce cas, lors du premier démarrage, l'appareil vous demande de choisir le type de mesure souhaité.

Changement de type de mesure

Vous pouvez à tout moment choisir un autre type de mesure dans le menu Service.



Modules de mesure pour le raccordement d'électrodes pH analogiques :

Le module de mesure pour le raccordement d'électrodes pH analogiques est tout simplement à enficher dans l'emplacement prévu pour les modules. Lors de la première mise en service, l'appareil détecte automatiquement un module enfiché, le logiciel s'adapte au paramètre déterminé. Lorsqu'un module de mesure est remplacé par un autre, le type de mesure doit être spécifié dans le menu Service.

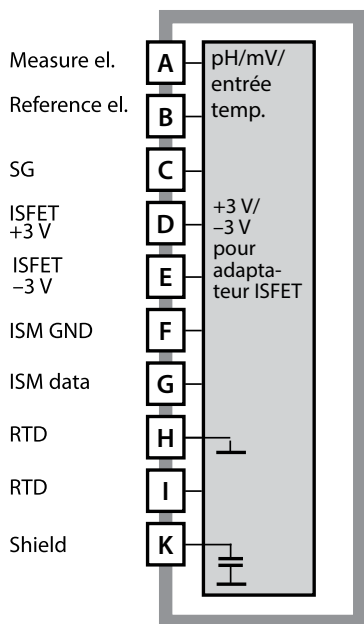
Module de mesure pour 2e canal Memosens

Lorsque les sondes Memosens doivent mesurer deux paramètres, il est nécessaire d'enficher un module Memosens pour le second canal. Le type de fonctionnement («type d'appareil») pour une mesure multicanale doit être spécifié dans la configuration.

Vous avez le choix entre les combinaisons suivantes :

Memosens pH + Memosens pH

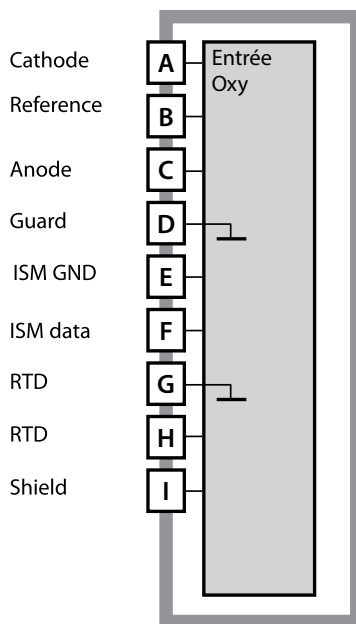
Memosens pH + Memosens Oxy



Module de mesure du pH

Référence MK-PH015

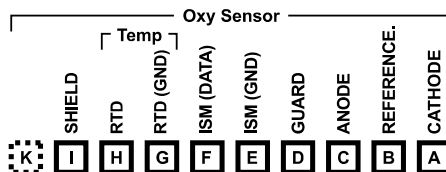
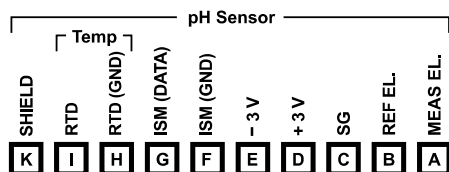
Exemples de câblage, voir le CD de documentation ou www.knick.de



Module de mesure de l'oxygène dissout

Référence MK-OXY045

Exemples de câblage, voir le CD de documentation ou www.knick.de



Plaque à bornes

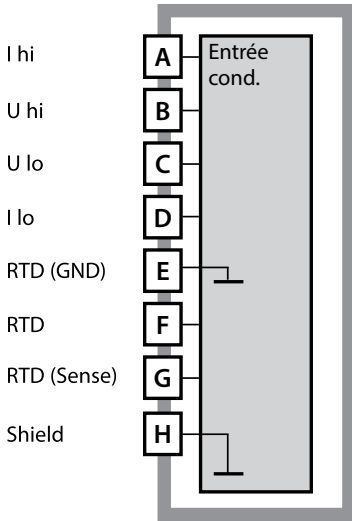
Module de mesure du pH

Bornes de raccordement pour fils mono-brins et multibrins jusqu'à 2,5 mm²

Plaque à bornes

Module de mesure de l'oxygène dissout

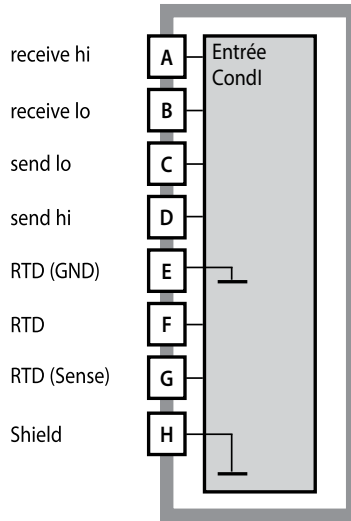
Bornes de raccordement pour fils mono-brins et multibrins jusqu'à 2,5 mm²



Module de mesure de la conductivité en contact avec le milieu (COND)

Référence MK-COND025

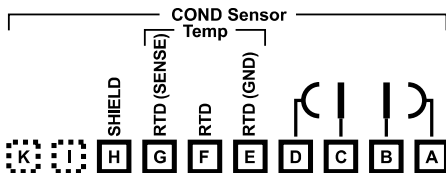
Exemples de câblage, voir le CD de documentation ou www.knick.de



Module conductivité inductive (CONDI)

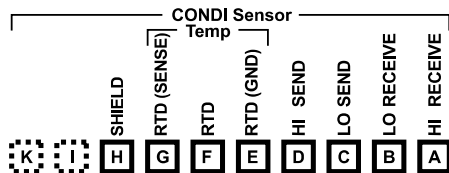
Référence MK-CONDI035

Exemples de câblage, voir le CD de documentation ou www.knick.de



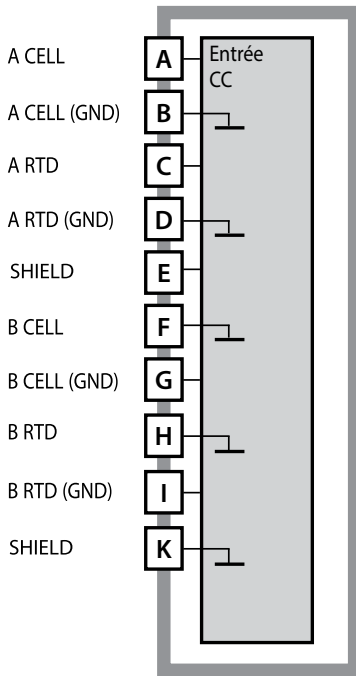
Plaque à bornes Module COND

Bornes de raccordement pour fils monobrins et multibrins jusqu'à 2,5 mm²



Plaque à bornes Module CONDI

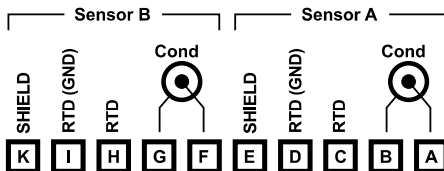
Bornes de raccordement pour fils monobrins et multibrins jusqu'à 2,5 mm²



Module 2 x mesure de la conductivité

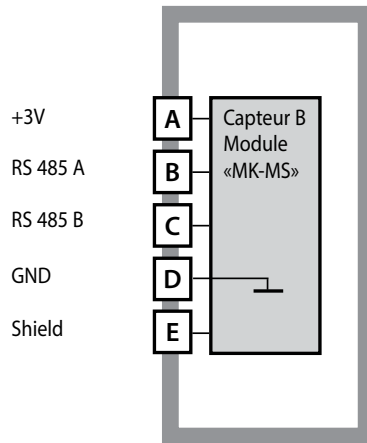
Référence MK-CC065 (non Ex!)

Exemples de câblage, voir le CD de documentation ou www.knick.de



Plaque à bornes 2 x mesure de la conductivité

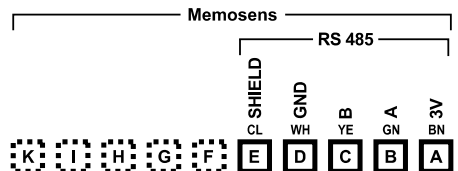
Bornes de raccordement pour fils monobrins et multibrins jusqu'à 2,5 mm²



Module 2e canal Memosens

Référence MK-MS095

Exemples de câblage, voir le CD de documentation ou www.knick.de



Plaque à bornes Module 2° canal Memosens

Bornes de raccordement pour fils monobrins et multibrins jusqu'à 2,5 mm².

Mise en service

Lors de la première mise en marche de l'appareil, vous devez sélectionner la méthode de mesure souhaitée (une sonde Memosens connectée n'est pas automatiquement détectée.)

Changement de type de mesure

Vous pouvez à tout moment choisir un autre type de mesure dans le menu Service.

Calibrage et entretien en laboratoire

Le logiciel «MemoSuite» permet de calibrer les sondes Memosens dans des conditions reproductibles sur un PC en laboratoire. Les paramètres des sondes sont enregistrés dans une base de données. La documentation et l'archivage respectent les exigences de la réglementation FDA CFR 21 Part 11. Il est possible de générer des protocoles détaillés sous forme d'export csv pour Excel. Memosuite est disponible en accessoire, en version «Basic» et «Advanced» : www.knick.de

Réglages et valeurs par défaut

Sonde raccordée : Type de sonde, fabricant, référence et numéro de série

The screenshot shows the MemoSuite software interface. At the top, there is a navigation bar with buttons for StartCenter, Calibrage, Vue tableau, Historique, Statistiques, and Tampons pH. Below this, the main area is divided into several sections:

- Valeurs mesurées actuelles:** A table showing current measurements: pH (7,09), Tension pH (49,2 mV), and Température (25,1 °C).
- Données de la sonde:** A section displaying probe information: Type de sonde (pH (verre)), Fabricant (KNICK), Référence (SE 533X/1-NMSN), Numéro de série (1030550), Poste de mesure, and N° poste de mesure (0). There are 'Afficher' and 'Modifier' buttons.
- Données d'ajustage:** A section showing calibration data: Date (27/06/2011 20:09:12), Pente (58,5 mV/pH), and Zéro (7,06 pH). There is a 'Modifier' button.

Red annotations highlight the 'Calibrage' button, the probe information fields, the pH value '7,09', and a magnifying glass icon over the pH value.

Sélection de la fonction :

La fonction actuellement sélectionnée apparaît sur fond clair.

Sonde raccordée : Type de sonde, fabricant, référence et numéro de série, poste de mesure et numéro du poste de mesure

Dernier ajustage

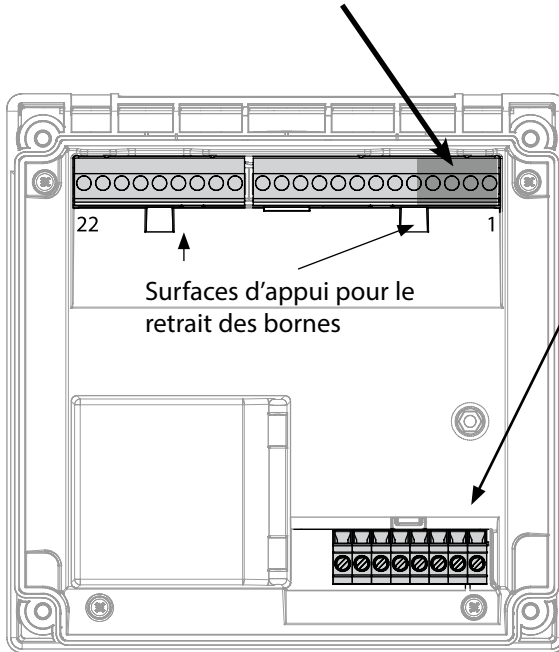
pH

7,09 pH

Cliquer sur la loupe pour agrandir les valeurs mesurées.

Raccordement standard (sonde A)

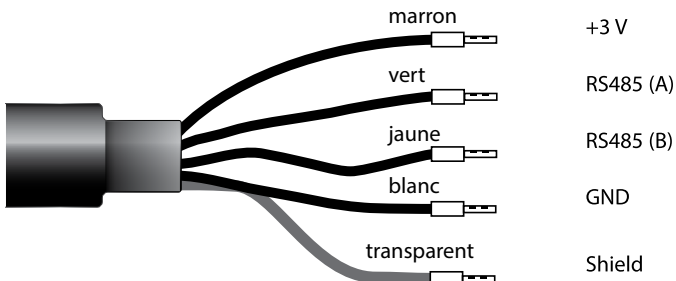
1	marron	+3 V
2	vert	RS 485 A
3	jaune	RS 485 B
4	blanc/transp.	GND/shield



Pour appareils doubles (2 canaux de mesure) : (Module MK-MS095) Raccordement sonde B

A	marron	+3 V
B	vert	RS 485 A
C	jaune	RS 485 B
D	blanc	GND
E	transp.	SHIELD

Le câble Memosens



Câble de raccordement pour la transmission numérique inductive sans contact de signaux de mesure (Memosens).

Le câble Memosens permet d'éviter toute perturbation de la mesure grâce à une parfaite séparation galvanique entre la sonde et l'analyseur. Aucune influence engendrée par de l'humidité ou de la corrosion n'est possible.

Caractéristiques techniques

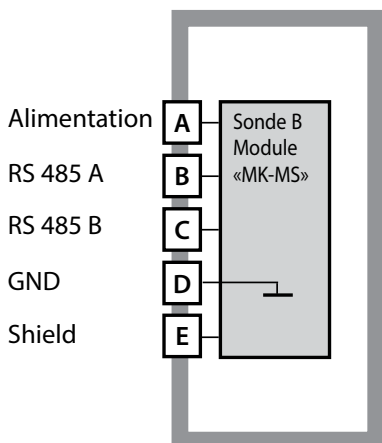
Composition	TPE
Diamètre du câble	6,3 mm
Longueur	jusqu'à 100 m
Température du process	-20 °C ... 135 °C / -4...+275 °F
Protection	IP 68

Clé type

	Type de câble	Longueur de câble	Référence
Memosens	Douilles d'extrémité	3 m	CA/MS-003NAA
		5 m	CA/MS-005NAA
		10 m	CA/MS-010NAA
		20 m	CA/MS-020NAA
	Connecteur M12, 8 pôles	3 m	CA/MS-003NCA
5 m		CA/MS-005NCA	
Memosens Ex^{*)}	Douilles d'extrémité	3 m	CA/MS-003XAA
		5 m	CA/MS-005XAA
		10 m	CA/MS-010XAA
		20 m	CA/MS-020XAA
	Connecteur M12, 8 pôles	3 m	CA/MS-003XCA
5 m		CA/MS-005XCA	

D'autres longueurs et types de câbles sont disponibles sur demande.

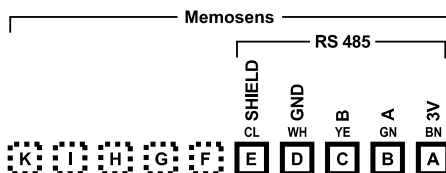
*) agréé ATEX II 1G Ex ia IIC T3/T4/T6 Ga



Module 2^e canal Memosens

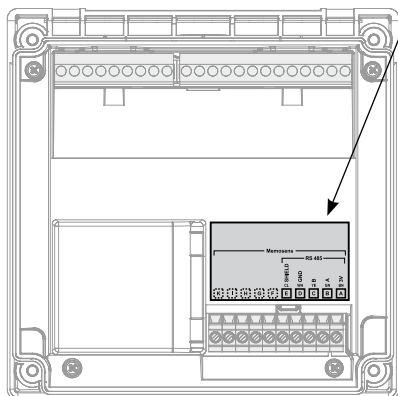
Référence MK-MS095...

Voir l'exemple de câblage page suivante



Plaque à bornes module 2^e canal Memosens

Bornes de raccordement pour fils monobrisés et multibrisés jusqu'à 2,5 mm².

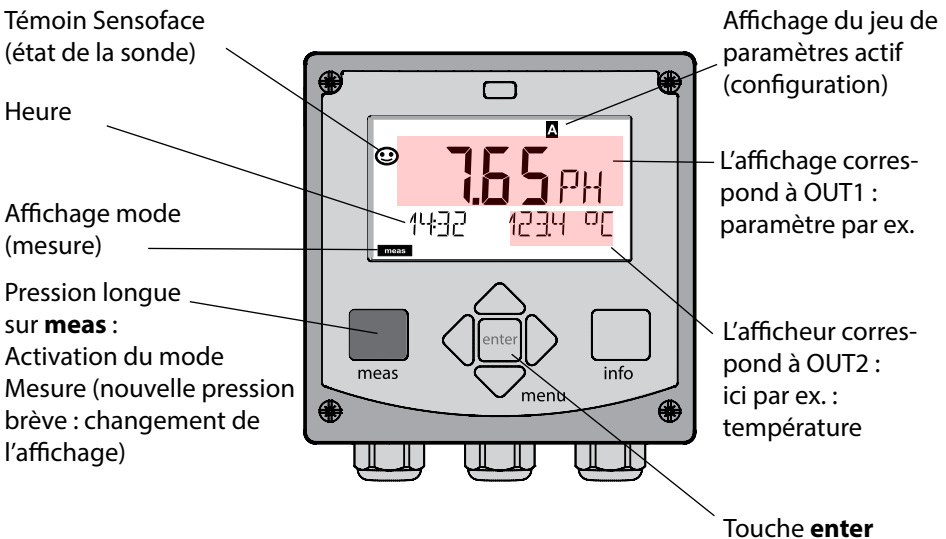


Une étiquette autocollante est fournie avec le module de mesure. Collez l'étiquette sur la face avant de l'appareil, à l'emplacement prévu à cet effet. Ceci vous permettra d'effectuer le raccordement en toute sécurité.

Mode Mesure

Condition préalable : Une sonde Memosens est raccordée, ou un module de mesure muni d'une sonde analogique est enfiché.

Lors de la mise sous tension, l'appareil se met automatiquement en mode Mesure. Pour activer le mode Mesure à partir d'un autre mode (Diagnostic ou Service, par ex.) : appuyer sur la touche **meas** pendant plus de 2 s.



En fonction de la configuration, vous pouvez définir différents affichages comme affichage standard pour le mode Mesure (cf. p. 115).

Remarque : Une pression sur la touche **meas** en mode Mesure permet d'afficher pendant env. 60 s. les différents affichages.



Attention :

Pour adapter l'appareil aux différentes applications, il faut le configurer !

Touches fléchées

haut / bas

- Menu :
augmente / diminue
la valeur chiffrée
- Menu : sélection

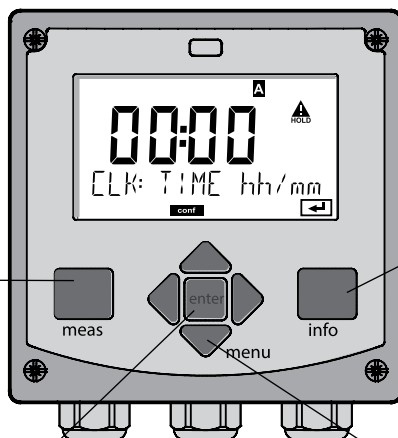
Touches fléchées

gauche / droite

- Menu :
groupe de menus
précédent / suivant
- Saisie de valeurs
numériques :
vers la gauche /
la droite

meas

- Revient au niveau
précédent dans le
menu
- Passe directement
en mode Mesure
(pression > 2 s)
- Mode mesure :
autre affichage
(temporaire, pen-
dant env. 60 s)



info

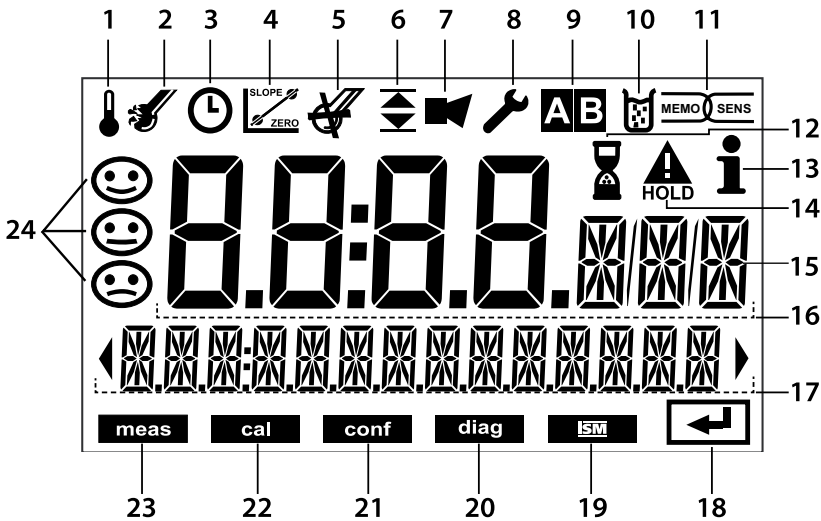
- Active les
informations
- Affiche les
messages d'erreur

enter

- Configuration :
Valider les saisies,
étape de configuration
suivante
- Calibrage :
suite du programme

menu

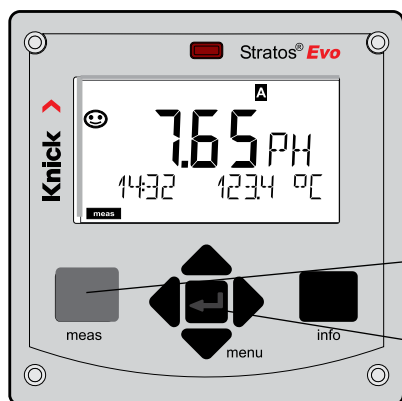
- Mode mesure :
active le menu



- | | | | |
|----|---|----|----------------------|
| 1 | Température | 13 | Info disponible |
| 2 | Sensocheck | 14 | Etat HOLD actif |
| 3 | Intervalle / temps de réponse | 15 | Signe valeur mesurée |
| 4 | Données de la sonde | 16 | Affichage principal |
| 5 | Sensocheck | 17 | Affichage secondaire |
| 6 | Message seuil :
Limit 1 ▼ ou Limit 2 ▲ | 18 | Suite avec enter |
| 7 | Alarme | 19 | Sonde ISM |
| 8 | Service | 20 | Diagnostic |
| 9 | Jeu de paramètres | 21 | Mode Configuration |
| 10 | Calibrage | 22 | Mode Calibrage |
| 11 | Sonde Memosens | 23 | Mode Mesure |
| 12 | Temps d'attente en cours | 24 | Sensoface |

Couleurs des signaux (rétroéclairage de l'écran)

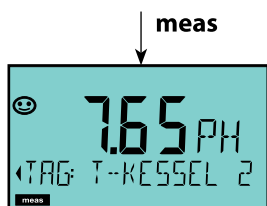
- | | |
|------------------|---|
| rouge | Alarme (en cas d'erreur : valeurs clignotantes) |
| rouge clignotant | Saisie erronée : valeur impossible ou code d'accès erroné |
| orange | Etat HOLD (calibrage, configuration, service) |
| bleu turquoise | Diagnostic |
| vert | Info |
| magenta | Message Sensoface (préalarme) |



L'affichage actif en mode Mesure est appelé MAIN DISPLAY. Pour activer le mode Mesure à partir des autres modes, appuyer longuement sur la touche **meas** (> 2 s).

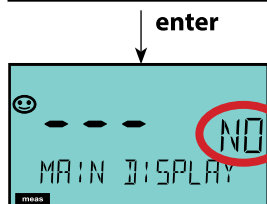
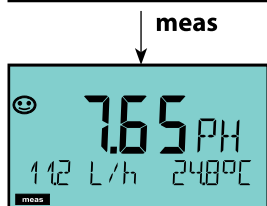
Touche **meas**

Touche **enter**



Une courte pression sur **meas** permet d'activer d'autres affichages, le nom du poste de mesure (TAG) ou le débit (l/h) par exemple.

Ces derniers sont sur fond turquoise et passent en affichage principal au bout de 60 s.

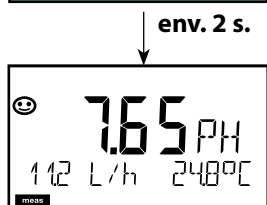


Afin de sélectionner un affichage en tant que MAIN DISPLAY, appuyez sur **enter**.

L'écran secondaire affiche «MAIN DISPLAY – NO».

Sélectionnez au moyen des touches curseur **Haut** ou **Bas** «MAIN DISPLAY – YES» et validez avec **enter**.

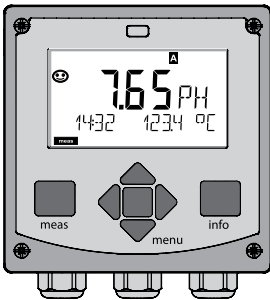
Le rétroéclairage passe au blanc. Cet affichage apparaît à présent en mode mesure.



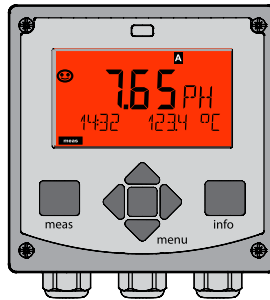
Le guidage de l'utilisateur grâce à des couleurs garantit une sécurité maximale et une présentation très claire des différents états de fonctionnement.

Le mode de mesure normal est rétroéclairé en blanc, tandis que les affichages du mode d'information apparaissent en vert et le menu de diagnostic en bleu turquoise. Dans sa couleur orange, le mode HOLD, par ex. lors des calibrages, est tout aussi visible que la teinte magenta qui attire l'attention sur des messages d'asset management (gestion d'actifs) dédiés au diagnostic prévisionnel – par ex. nécessité d'entretien, préalarme et usure de la sonde.

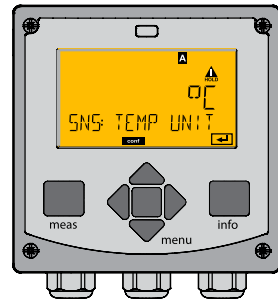
L'état d'alarme proprement dit est indiqué à l'écran par une couleur rouge très voyante et s'accompagne de valeurs d'affichage clignotantes. Tout l'écran se met à clignoter en rouge en cas de saisie de données incorrectes ou de codes d'accès erronés afin de réduire sensiblement toute erreur de manipulation.



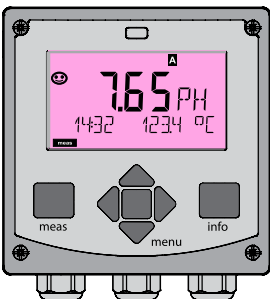
blanc :
mode mesure



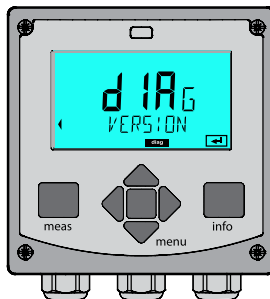
rouge clignotant :
alarme, erreur



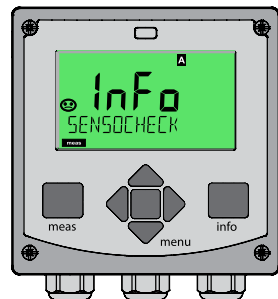
orange :
état HOLD



magenta :
nécessité d'entretien



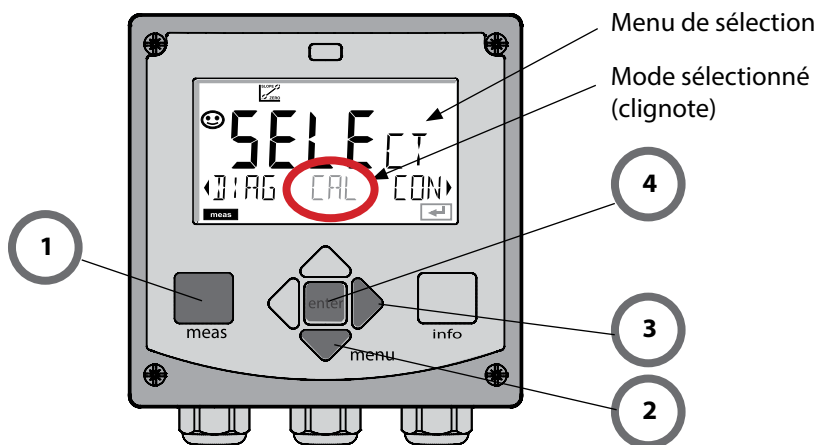
bleu turquoise :
diagnostic



vert :
textes d'information

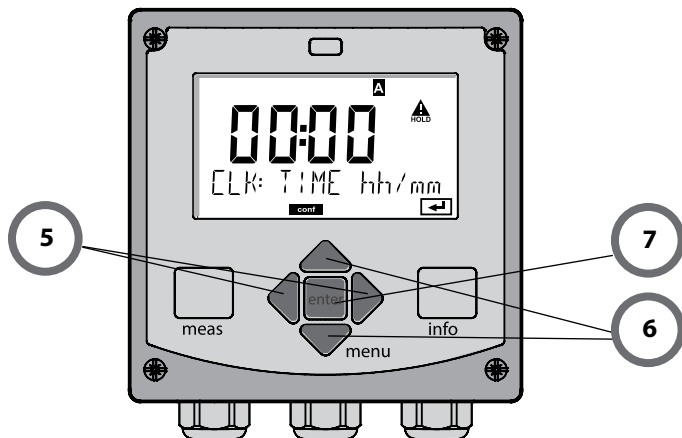
Sélection du mode de fonctionnement :

- 1) Appuyer longuement (> 2 s) sur la touche **meas** (mode Mesure)
- 2) Appuyer sur la touche **menu** pour faire apparaître le menu de sélection
- 3) Sélectionner le mode à l'aide des touches fléchées gauche / droite
- 4) Valider le mode sélectionné avec **enter**



Saisie des valeurs :

- 5) Sélectionner la position du chiffre : touche fléchée gauche / droite
- 6) Pour modifier la valeur numérique : touche fléchée haut / bas
- 7) Valider la saisie avec **enter**.



Diagnostic

Affichage des données de calibrage et de sonde, contrôleur de sonde, exécution d'un autotest de l'appareil, activation des entrées du journal de bord et affichage de la version matérielle / logicielle de chaque élément. Le journal de bord peut saisir jusqu'à 100 entrées (de 00 à 99), directement visibles sur l'appareil. Avec un TAN (en option), il peut être étendu à 200 entrées.

HOLD

Activation manuelle de l'état HOLD, pour le remplacement des sondes, par exemple. Les sorties de signaux adoptent un état défini.

Calibrage

Chaque sonde dispose de caractéristiques spécifiques qui changent tout au long du temps de fonctionnement. Un calibrage est nécessaire pour pouvoir fournir une valeur de mesure correcte. L'appareil vérifie alors la valeur fournie par la sonde lors d'une mesure dans un milieu connu. En présence d'un écart de valeur, l'appareil peut alors être «ajusté». Dans ce cas, l'appareil affiche la valeur «réelle» et corrige en interne l'erreur de mesure de la sonde. Le calibrage doit être répété de manière cyclique. Les délais entre chaque cycle de calibrage dépendent de la charge de la sonde. Pendant le calibrage, l'appareil passe à l'état HOLD.

Pendant le calibrage, l'appareil reste en mode Calibrage, jusqu'à ce que l'opérateur le quitte.

Configuration

Pour adapter l'appareil aux différentes applications, il faut le configurer. Le mode «Configuration» permet de déterminer le type de mesure, la sonde raccordée, la plage à transmettre et à quel moment les messages d'avertissement ou d'alarme doivent être émis. Pendant la configuration, l'appareil passe à l'état HOLD.

Le mode Configuration se referme automatiquement 20 minutes après la dernière activation d'une touche. L'appareil se met en mode Mesure.

Service

Fonctions d'entretien (générateur de courant, test des relais, test du régulateur), attribution de codes d'accès, sélection du type d'appareil (pH/Oxy/Conductivité), réinitialisation des réglages d'origine, activation des options (TAN).

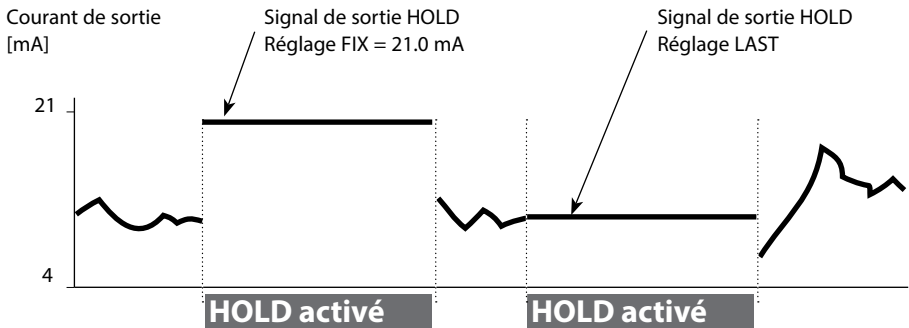
L'état HOLD est un état de sécurité lors de la configuration et du calibrage. Le courant de sortie est gelé (Last) ou ramené à une valeur fixe (Fix). Le contact de seuils et le contact d'alarme sont inactifs. Le rétroéclairage passe à l'orange, affichage :



Comportement du signal de sortie

- **Last** : Le courant de sortie est gelé à la dernière valeur. Conseillé avec une configuration courte. Le processus ne doit pas changer de manière notable durant la configuration. Les modifications ne sont pas détectées dans ce réglage !
- **Fix** : Le courant de sortie est fixé à une valeur sensiblement différente de la valeur du processus pour signaler au système de conduite que des travaux sont effectués sur l'appareil.

Signal de sortie en état HOLD :



Quitter l'état HOLD

Pour quitter l'état HOLD, passer en mode Mesure (pression prolongée de la touche **meas**). L'écran affiche «Good Bye», vous quittez l'état HOLD.

Au moment de quitter le calibrage, le système vous pose une question de sécurité, afin de s'assurer que le poste de mesure est à nouveau opérationnel (par ex. : la sonde est de nouveau en place, est en cours de processus).

Déclenchement externe de l'état HOLD

L'état HOLD peut être déclenché de l'extérieur par un signal à l'entrée HOLD (par ex. via le système de conduite du processus).

HOLD inactif	0...2 V CA/CC
HOLD actif	10...30 V CA/CC

Alarme

Dès qu'une erreur se produit, l'écran **Err xx** s'affiche immédiatement.

Ce n'est qu'après écoulement du délai imparti, que l'alarme est enregistrée et qu'une entrée dans le journal de bord est générée.

En cas d'alarme, l'écran de l'appareil clignote, le rétroéclairage devient **rouge**.

Les messages d'erreur peuvent par ailleurs être transmis par un signal de 22 mA via le courant de sortie (en cas de réglage correspondant dans le menu Configuration).

En cas d'alarme ou de panne de courant, le contact d'alarme est actif.

Après disparition d'une erreur, l'état d'alarme disparaît au bout de 2 s env.

Des messages Sensoface peuvent également entraîner des signaux 22 mA (configurable).

Générer un message par l'entrée CONTROL

(Débit min. / débit max.)

En fonction du pré-réglage dans le menu «Configuration», l'entrée CONTROL peut être affectée au changement de jeu de paramètres ou à la mesure du débit (principe d'impulsions).

Le transmetteur de débit doit d'abord être calibré dans le menu CONTROL :

ADJUST FLOW

Si la mesure du débit est pré-réglée,

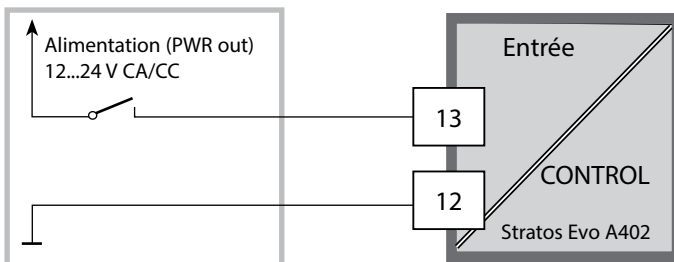
CONF/CNTR_IN/CONTROL = FLOW

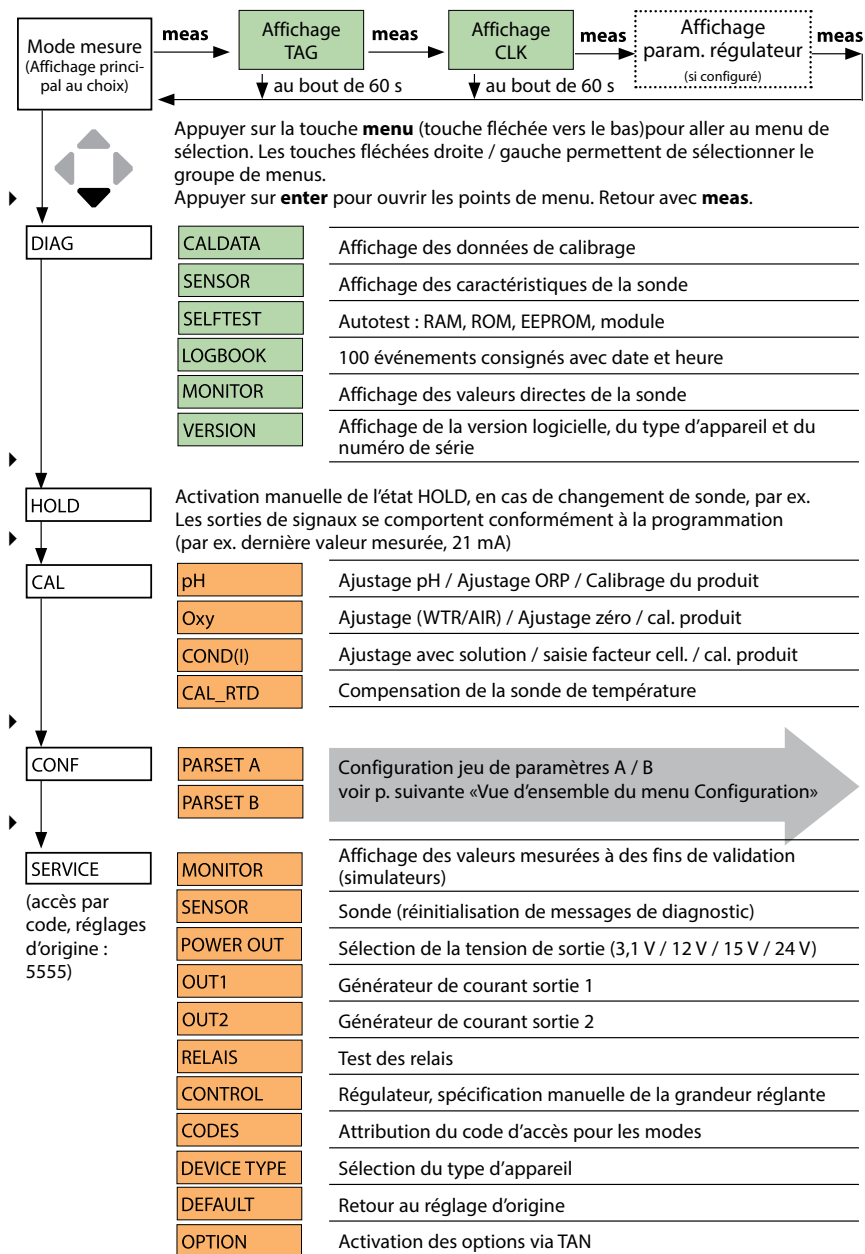
une alarme peut être générée en cas de dépassement du débit min. ou max. :

CONF/ALA/FLOW CNTR = ON

CONF/ALA/FLOW min (saisir la valeur, valeur par défaut : 5 litres/h)

CONF/ALA/FLOW max (saisir la valeur, valeur par défaut : 25 litres/h)





Les étapes de configuration sont réunies en groupes de menus. Les touches fléchées gauche / droite permettent d'aller au groupe de menus suivant ou de revenir au groupe précédent. Chaque groupe de menus comprend des points de menu pour le réglage des paramètres. Appuyer sur **enter** pour ouvrir les points de menu. Utiliser les touches fléchées pour modifier les valeurs et **enter** pour valider/garder les réglages. Retour à la mesure : **meas** (pression longue > 2 s).

Sélection groupe de menus	Groupe de menus	Code	Écran	Sélection point de menu
	Sélection sonde (pour appareils multica- naux : Sélection sonde A / sonde B)	SNS: (S_A / S_B)	Conf ^A i SENSOR	 enter enter enter enter
		Point de menu 1	:	
		Point de menu ...		
▶	Sortie courant 1	OT1:	Conf ^A i OUT 1	
▶	Sortie courant 2	OT2:	Conf ^A i OUT 2	
▶	Compensation	COR:	Conf ^A i CORRECTION	
▶	Entrée de commutation (Jeu de paramètres ou mesure du débit)	IN:	0000 ^A i CORTE L:OUT	
▶	Mode Alarme	ALA:	Conf ^A i ALARM	
▶	Sorties de commutation	REL:	Conf ^A i REL 1/REL 2	
▶	Nettoyage	WSH:	Conf ^A i WASH	◀
▶	Réglage de l'horloge	CLK:	Conf ^A i CLOCK	◀
▶	Nom du poste de mesure	TAG:	Conf ^A i TAG	◀

Remarque : Pour les appareils doubles MSPH-MSPH ou MSPH-MSOXY, les deux jeux de paramètres sont remplacés par les sondes A et B.

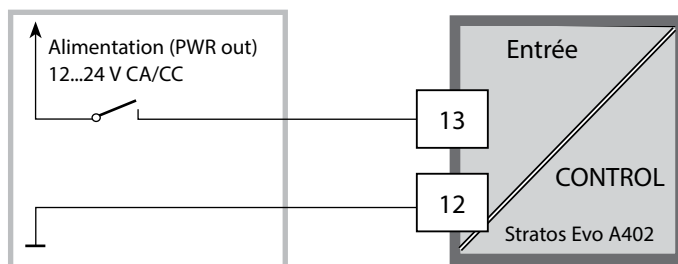
Jeu de paramètres A/B : groupes de menus configurables

L'appareil dispose de 2 jeux de paramètres, « A » et « B ». En passant d'un jeu à l'autre, l'appareil peut, par ex., être adapté à deux situations de mesure différentes. Le jeu de paramètres « B » n'autorise que la configuration des paramètres du process.

Groupe de menus	Jeu de paramètres A	Jeu de paramètres B
SENSOR	Sélection sonde	---
OUT1	Sortie courant 1	Sortie courant 1
OUT2	Sortie courant 2	Sortie courant 2
CORRECTION	Compensation	Compensation
CNTR_IN	Entrée de commutation	---
ALARM	Mode Alarme	Mode Alarme
REL 1/REL 2	Sorties de commutation	Sorties de commutation
WASH	Nettoyage	---
PARSET	Changement de jeu de paramètres (pas pour les appareils doubles)	---
CLOCK	Réglage de l'horloge	---
TAG	Nom du poste de mesure	
GROUP	Groupe de postes de mesure	

Changement externe de jeu de paramètres A/B




On peut changer de jeu de paramètres A/B au moyen d'un signal externe à l'entrée CONTROL (programmation : CNTR-IN – PARSET).



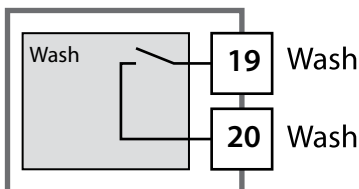
Jeu de paramètres A actif 0...2 V CA/CC

Jeu de paramètres B actif 10...30 V CA/CC

Changement manuel de jeu de paramètres A/B

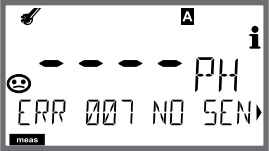

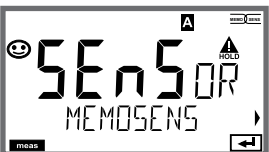
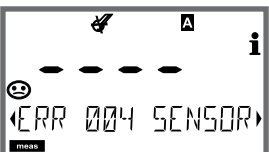
Écran	Action	Remarque
	Changement manuel des jeux de paramètres : appuyer sur meas	Le changement manuel de jeu de paramètres doit être préalablement sélectionné dans CONFIG. Le réglage d'origine est le jeu de paramètres fixe A. Un mauvais réglage des paramètres modifie les caractéristiques de mesure !
	PARSET clignote dans la ligne du bas. Utiliser les touches ◀ et ▶ pour sélectionner le jeu de paramètres	
	Sélection PARSET A / PARSET B	Le jeu de paramètres activé est indiqué sur l'écran :
	Valider avec enter Pour annuler, appuyer sur meas	

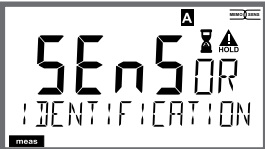
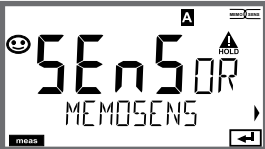
Jeu de paramètres A/B : Signalisation par contact WASH



Le jeu de paramètres actif peut être indiqué à l'aide du contact WASH :

Si configuré, le contact WASH signale :
Jeu de paramètres A : Contact ouvert
Jeu de paramètres B : Contact fermé

Étape	Action / affichage	Remarque
Brancher la sonde		Tant que la sonde Memosens n'est pas branchée, le message d'erreur «NO SENSOR» s'affiche à l'écran.
Attendre que les données de la sonde s'affichent.		Le sablier clignote sur l'écran.
Contrôler les données de la sonde	 <p>A l'aide des touches ◀ ▶, afficher les informations relatives à la sonde, valider avec enter.</p>	Le témoin Sensoface est souriant lorsque les données de la sonde sont plausibles.
Passer en mode Mesure	Appuyer sur la touche meas, info ou enter .	L'appareil passe automatiquement en mode Mesure au bout de 60 s (timeout).
Message d'erreur possible		
Sonde défectueuse. Remplacer la sonde		Lorsque ce message d'erreur apparaît, la sonde ne peut pas être utilisée. Sensoface affiche un émoticône de tristesse.

Étape	Action / affichage	Remarque
<p>Passer en mode HOLD Afin d'éviter toute réaction incontrôlée des sorties et contacts, les sondes doivent toujours être remplacées en mode HOLD.</p>	<p>Appuyer sur la touche menu pour accéder au menu de sélection, sélectionner HOLD à l'aide des touches ◀ ▶, valider avec enter.</p>	<p>L'appareil se trouve alors dans l'état HOLD. L'état HOLD peut également être déclenché en externe via l'entrée HOLD. En état HOLD, le courant de sortie est gelé sur la dernière valeur ou défini sur une valeur fixe.</p>
<p>Débrancher et retirer l'ancienne sonde.</p>		
<p>Insérer et brancher la nouvelle sonde.</p>		<p>Les messages temporaires générés lors d'un remplacement, apparaissent sur l'écran, mais pas sur le contact d'alarme, et ne sont pas non plus enregistrés dans le journal de bord.</p>
<p>Attendre que les données de la sonde s'affichent.</p>		
<p>Contrôler les données de la sonde</p>	 <p>A l'aide des touches ◀ ▶, afficher les informations relatives à la sonde, valider avec enter.</p>	<p>Il est possible d'afficher le fabricant et le type de la sonde, le numéro de série et la dernière date de calibrage.</p>
<p>Contrôler les valeurs mesurées</p>		
<p>Quitter HOLD</p>	<p>Pression brève sur meas : retour au menu de sélection, pression longue sur meas : l'appareil passe en mode Mesure.</p>	

Erreur	Texte d'info (apparaît en présence d'erreur, en appuyant sur la touche Info)	Problème Cause possible
ERR 01	NO SENSOR	Erreur sonde Type d'appareil non attribué Sonde défectueuse Sonde non raccordée Coupure du câble de la sonde
ERR 02	WRONG SENSOR	Mauvaise sonde
ERR 04	SENSOR FAILURE	Erreur au niveau de la sonde
ERR 05	CAL DATA	Erreur dans les données de calibrage
ERR 10	ORP RANGE	Plage d'affichage non atteinte/dépassée ORP : < -1999 mV ou > 1999 mV
ERR 11	RANGE	Plage d'affichage non atteinte/dépassée
ERR 12	MV RANGE	Plage de mesure mV
ERR 13	TEMPERATURE RANGE	Dépassement de la plage de température
ERR 14	rH RANGE	Erreur de plage (rH)
ERR 15	SENSOCHECK GLASS-EL	Sensocheck verre (pH)
ERR 60	OUTPUT LOAD	Erreur de charge
ERR 61	OUTPUT 1 TOO LOW	Courant de sortie 1 < 0 (3,8) mA
ERR 62	OUTPUT 1 TOO HIGH	Courant de sortie 1 > 20,5 mA
ERR 63	OUTPUT 2 TOO LOW	Courant de sortie 2 < 0 (3,8) mA
ERR 64	OUTPUT 2 TOO HIGH	Courant de sortie 2 > 20,5 mA

Erreur	Texte d'info (apparaît en présence d'erreur, en appuyant sur la touche Info)	Problème Cause possible
ERR 95	SYSTEM ERROR	Erreur système Redémarrage nécessaire. Si l'erreur ne parvient pas à être supprimée de cette manière, renvoyer l'appareil.
ERR 97	WRONG MODULE	Le module ne correspond pas au type de mesure Corriger le réglage dans le menu SERVICE / DEVICE TYPE. Ensuite, configurer et calibrer l'appareil.
ERR 98	CONFIGURATION ERROR	Erreur données de configuration ou de calibrage Données de configuration ou de calibrage incorrectes, reconfigurer ou recalibrer entièrement l'appareil.
ERR 99	DEVICE FAILURE	Erreur données de compensation EEPROM ou RAM défectueuse Ce message d'erreur apparaît uniquement en cas de défaillance totale. L'appareil doit être réparé et recalibré en usine.
ERR 100	INVALID SPAN OUT1	Erreur de configuration Span Out1 Fourchette de mesure sélectionnée trop petite
ERR 101	INVALID SPAN OUT2	Erreur de programmation Span Out2 Fourchette de mesure sélectionnée trop petite

Erreur	Texte d'info (apparaît en présence d'erreur, en appuyant sur la touche Info)	Problème Cause possible
ERR 102	pH: FAILURE BUFFERSET -U1-	Erreur de programmation Jeu de tampons spécifiable U1
	Mode multicanal : MSPH/MSPH, MSPH/MSOXY: A FAILURE BUFFERSET -U1-	Erreur de programmation Jeu de tampons spécifiable U1, sonde A
ERR 104	INVALID PARAMETER CONTROLLER	Erreur de programmation régulateur
ERR 105	INVALID SPAN I-INPUT	Erreur de programmation Entrée de courant
ERR 106	INVALID CHANNEL SELECTION OUT1/2	Mode multicanal : MSPH/MSPH, MSPH/MSOXY : Courants non affectés
ERR 107	INVALID CHANNEL SELECTION RELAYS	Mode multicanal : MSPH/MSPH, MSPH/MSOXY : Seuils non affectés
ERR 108	Mode multicanal : MSPH/MSPH, MSPH/MSOXY: INVALID CHANNEL SELECTION CONTROL	Régulateur non affecté

Messages Sensoface :

Minuteur de calibrage écoulé :	OUT OF CAL TIME CALIBRATE OR CHANGE SENSOR
TTM pour ISM (pH) :	OUT OF MAINTENANCE CLEAN SENSOR
TTM pour ISM (Oxy) :	OUT OF MAINTENANCE CHECK ELECTROLYTE AND MEMBRANE
DLI pour ISM :	END OF LIFETIME CHANGE SENSOR OR INNERBODY
Offset sonde ISFET :	SENSOR ISFET-ZERO CALIBRATE OR CHANGE SENSOR
Sonde zéro/pente :	SENSOR ZERO/SLOPE CALIBRATE OR CHANGE SENSOR
Temps de réponse sonde :	SENSOR DRIFT CALIBRATE OR CHANGE SENSOR
Usure de la sonde (pH) :	SENSOR WEAR CHANGE SENSOR
Usure de la sonde (Oxy MS) :	SENSOR WEAR CHECK ELECTROLYTE AND MEMBRANE
Usure de la sonde (LDO, SE 740) :	SENSOR WEAR CHANGE SENSOR CAP
Compteur d'autoclavage	AUTOCLAVE CYCLES OVERRUN
Dépassement cycles CIP :	CIP-CYCLES OVERRUN
Dépassement cycles SIP :	SIP-CYCLES OVERRUN
Le TAG de la sonde ne correspond pas à l'entrée de l'appareil.	WRONG SENSOR TAG
Le GROUP de la sonde ne correspond pas à l'entrée de l'appareil.	WRONG SENSOR GROUP xxxx

Erreur	Texte d'info (apparaît en présence d'erreur, en appuyant sur la touche Info)	Problème Cause possible
ERR 01	NO SENSOR	Erreur sonde Type d'appareil non attribué Sonde défectueuse Sonde non raccordée Coupure du câble de la sonde
ERR 02	WRONG SENSOR	Mauvaise sonde
ERR 04	SENSOR FAILURE	Erreur au niveau de la sonde
ERR 05	CAL DATA	Erreur dans les données de calibrage
ERR 10	CONDUCTANCE TOO HIGH Type d'appareil Cond-Cond : canal A	Plage de mesure conductance dépassée
ERR 11	RANGE CONDUCTIVITY Type d'appareil Cond-Cond : canal A	Plage d'affichage non atteinte/dépassée
ERR 13	TEMPERATURE RANGE Type d'appareil Cond-Cond : canal A	Dépassement de la plage de température
ERR 15	SENSOCHECK Type d'appareil Cond-Cond : canal A	Erreur sonde ou câble
ERR 40	CONDUCTANCE TOO HIGH Type d'appareil Cond-Cond : canal B	Plage de mesure conductance dépassée
ERR 41	RANGE CONDUCTIVITY Type d'appareil Cond-Cond : canal B	Plage d'affichage non atteinte/dépassée
ERR 43	TEMPERATURE RANGE Type d'appareil Cond-Cond : canal B	Dépassement de la plage de température
ERR 45	SENSOCHECK Type d'appareil Cond-Cond : canal B	Erreur sonde ou câble

Erreur	Texte d'info (apparaît en présence d'erreur, en appuyant sur la touche Info)	Problème Cause possible
ERR 59	INVALID CALCULATION	Calculs non valides
ERR 60	OUTPUT LOAD	Erreur de charge
ERR 61	OUTPUT 1 TOO LOW	Courant de sortie 1 < 0 (3,8) mA
ERR 62	OUTPUT 1 TOO HIGH	Courant de sortie 1 > 20,5 mA
ERR 63	OUTPUT 2 TOO LOW	Courant de sortie 2 < 0 (3,8) mA
ERR 64	OUTPUT 2 TOO HIGH	Courant de sortie 2 > 20,5 mA
ERR 72	FLOW TOO LOW	Débit trop faible
ERR 73	FLOW TOO HIGH	Débit trop élevé

Erreur	Texte d'info (apparaît en présence d'erreur, en appuyant sur la touche Info)	Problème Cause possible
ERR 95	SYSTEM ERROR	Erreur système Redémarrage nécessaire. Si l'erreur ne parvient pas à être supprimée de cette manière, renvoyer l'appareil.
ERR 96	WRONG MODULE	Le module ne correspond pas au type de mesure Corriger le réglage dans le menu SERVICE / DEVICE TYPE. Ensuite, configurer et calibrer l'appareil.
ERR 97	NO MODULE INSTALLED	Aucun module installé
ERR 98	CONFIGURATION ERROR	Erreur données de configuration ou de calibrage Données de configuration ou de calibrage incorrectes, reconfigurer ou recalibrer entièrement l'appareil.
ERR 99	DEVICE FAILURE	Erreur données de compensation EEPROM ou RAM défectueuse Ce message d'erreur apparaît uniquement en cas de défaillance totale. L'appareil doit être réparé et recalibré en usine.

Erreur	Texte d'info (apparaît en présence d'erreur, en appuyant sur la touche Info)	Problème Cause possible
ERR 104	INVALID PARAMETER CONTROLLER	Erreur de programmation Régulateur
ERR 105	INVALID SPAN I-INPUT	Erreur de programmation de courant ext.
ERR 106	INVALID CHANNEL SELECTION OUT1/2	Cond-Cond : canal Out1/Out2 non affecté (désactivé)
ERR 107	INVALID CHANNEL SELECTION RELAYS	Cond-Cond : canal relais non affecté (désactivé)
ERR 108	Cond, Condi, Cond-Cond: OUT1 INVALID CORNER X/Y	Caractéristique bilinéaire : point angulaire invalide
ERR 109	Cond, Condi, Cond-Cond: OUT2 INVALID CORNER X/Y	Caractéristique bilinéaire : point angulaire invalide
ERR 110	CATION EXCHANGER CAPACITY	Capacité de l'échangeur d'ions épuisée – remplacer

Messages Sensoface :

Surveillance facteur de cellule	SENSOR CELL FACTOR CALIBRATE OR CHANGE SENSOR
Surveillance tableau (TC/Conc/Sal/USP)	OUT OF INTERNAL TABLE
Surveillance point zéro	SENSOR ZERO CALIBRATE OR CHANGE SENSOR
Surveillance facteur de cellule, point zéro	SENSOR ZERO/CELL FACTOR CALIBRATE OR CHANGE SENSOR
Le TAG de la sonde ne correspond pas à l'entrée de l'appareil.	WRONG SENSOR TAG
Le GROUP de la sonde ne correspond pas à l'entrée de l'appareil.	WRONG SENSOR GROUP xxxx

O **Stratos Evo** é um instrumento a 4 fios para análise de processo.

O analisador é fornecido em uma versão básica para a medição com sensores digitais (Memosens, medição de oxigênio óptico, medição de condutividade indutiva). Todos os procedimentos de medição são disponibilizados em uma memória interna. Através da escolha de um método de medição, o aparelho é preparado para a tarefa específica de medição. Para tarefas de medição com sensores analógicos, outros módulos de medição podem ser conectados.

O Modelo A402B pode ser usado em área classificada como Zona 2.

A corrente é fornecida por uma fonte de alimentação universal de 80 a 230 Vca (45 a 65 Hz) / 24 a 60 Vcc. O analisador possui duas saídas de corrente de 0 (4) a 20 mA para transmissão do valor medido e da temperatura, por exemplo. Quatro relés flutuantes (contatos secos) são disponíveis para livre configuração. Pode-se configurar um controlador PID e um função de limpeza temporizada. Usando dois conjuntos de parâmetros, pode-se mudar de um para outro externamente (mediante uma entrada de Controle, por exemplo). A entrada Hold permite ativar o modo Hold por comando remoto. O analisador pode também alimentar e processar valores medidos de transmissores para, por exemplo monitorar vazão.

Pode-se escolher um dos seguintes métodos de medição:

- pH
- ORP
- Oxigênio
- Oxigênio, óptico
- Medição de condutividade por contato
- Medição de condutividade sem contato (indutiva)
- Medição dual de pH/pH e pH/Oxy usando dois sensores Memosens.

Alojamento e possibilidades de montagem

- O alojamento moldado robusto tem proteção IP 67 / NEMA 4X para uso externo. Material da unidade frontal: PBT, unidade traseira: PC. Dimensões: 148 mm (A), 148 mm (L), 117 mm (P). Possui furos para:
 - montagem em painel (recorte de 138 x 138 mm conforme norma DIN 43700)
 - montagem em parede (com tampas para vedação do alojamento)
 - montagem em tubo (diâm.: 40 mm a 60 mm; □ 30 a 45 mm)

Conexão de sensores, prensa-cabos

Para conexão de cabos, o alojamento possui

- 3 furos para prensa-cabos M20 x 1,5
- 2 furos para conduíte metálico rígido ou NPT 1/2"

Display

Mensagens textuais exibidas em display grande e retroiluminado para operação intuitiva.

Pode-se especificar quais valores deverão ser exibidos no modo normal de medição (Display Principal).

Interface do usuário codificada em cores

A iluminação de fundo do display sinaliza os diferentes estados operacionais (por exemplo: alarme em vermelho, modo HOLD em laranja).

Funções de diagnóstico

Funções de diagnóstico (Sensocheck) monitoram automaticamente os eletrodos de vidro e de referência e exibem “carinhas” (Sensoface) no display para indicação clara da condição do sensor.

Registador (Data logger)

O registrador interno (função adicional TAN SW-A002) pode registrar até 100 ocorrências – até 200 com Trilha de Auditoria (TAN SW-A003).

2 conjuntos de parâmetros (A/B)

O instrumento pode trabalhar com dois conjuntos de parâmetros que podem ser alternados manualmente ou mediante uma entrada remota para diferentes adaptações ou condições do processo.

Veja um resumo dos conjuntos de parâmetros (original para cópia) no CD ou no site www.knick.de.

Senha de proteção

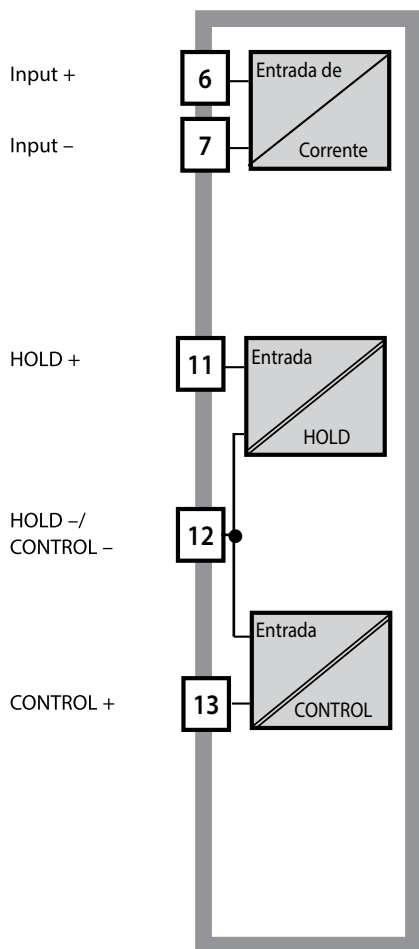
Pode-se configurar senhas para conceder direitos de acesso durante as operações.

Calibração automática com Calimatic

Pode-se escolher as soluções tampão de pH mais comumente usadas.

Pode-se também usar um grupo específico de tampões de pH.

Entradas CONTROL



Entrada de corrente (I-input)

A entrada analógica (0)4 a 20 mA) pode ser usada para compensação externa de pressão ou temperatura (exige TAN.)

HOLD

(entrada de controle digital flutuante)
A entrada HOLD pode ser usada para ativação do modo HOLD por um comando externo.

CONTROL

(entrada de controle digital flutuante)
A entrada CONTROL pode ser usada para seleção de conjunto de parâmetros (A/B) ou para monitoração de vazão.
O relê "Wash" pode ser usado para indicar o conjunto de parâmetros ativo.

Alimentação

A corrente é fornecida por uma fonte de alimentação universal de 80 a 230 Vca (45 a 65 Hz) / 24 a 60 Vcc.

Opções

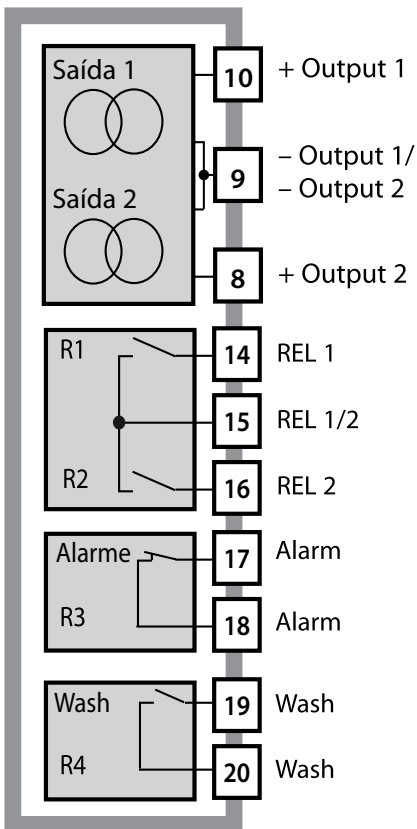
Funções adicionais podem ser ativadas mediante a introdução de um TAN.

Saídas de sinais

O analisador possui duas saídas de corrente de (0) 4 ... 20 mA para transmissão do valor medido e temperatura, por exemplo.

Relés

Há quatro relés flutuantes (contatos secos).



Saídas de corrente

As saídas flutuantes de corrente de (0) 4 a 20 mA são usadas para transmissão de valores medidos. Um filtro de saída pode ser programado, um valor de falha de corrente pode ser especificado.

Limites

2 relés para valores limites. Ajustáveis para a variável de processo selecionada: histerese, comportamento de comutação (limites MÍN/MÁX), tipo de contato (NA, NF e atraso).

Alarme

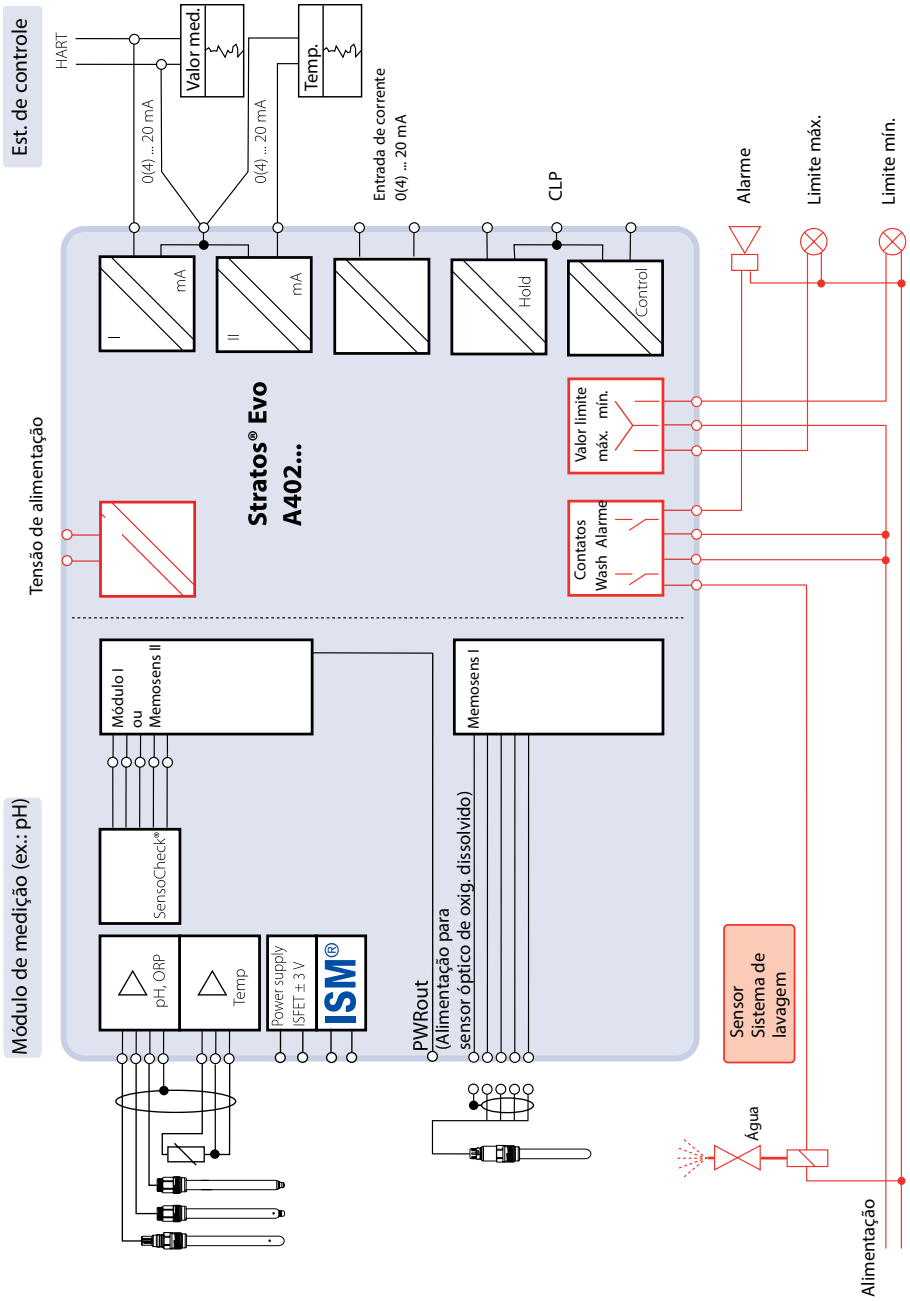
Um alarme pode ser gerado pelo Sensocheck, monitoração de vazão ou falha de corrente.

Wash

Este relé pode ser usado para controlar uma sonda de limpeza ou para indicar o conjunto de parâmetros ativo.

Controlador PID

Configurável como comprimento de pulsos ou frequência de pulsos.



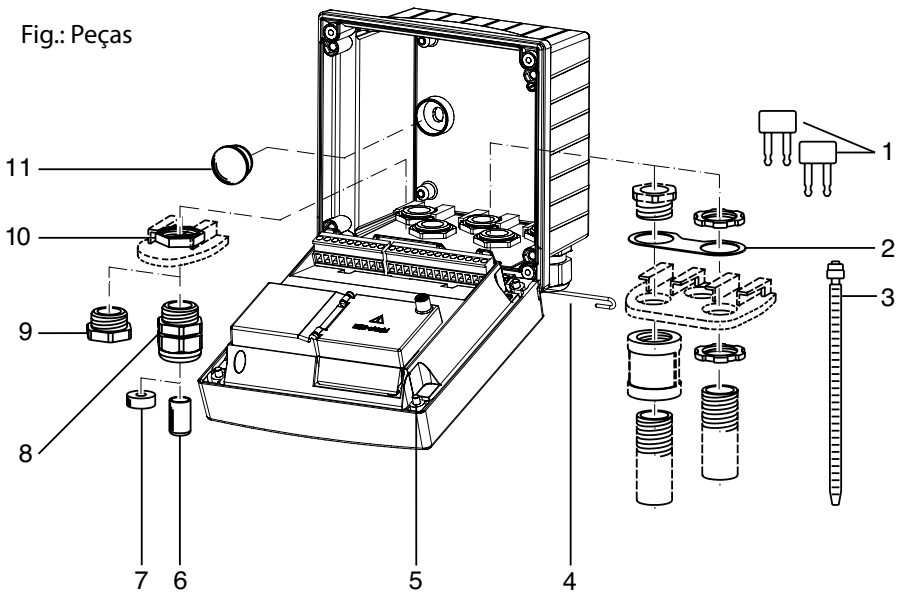
Itens Fornecidos

Abra a embalagem e veja se há algum dano e se as peças estão completas!

A embalagem deve conter:

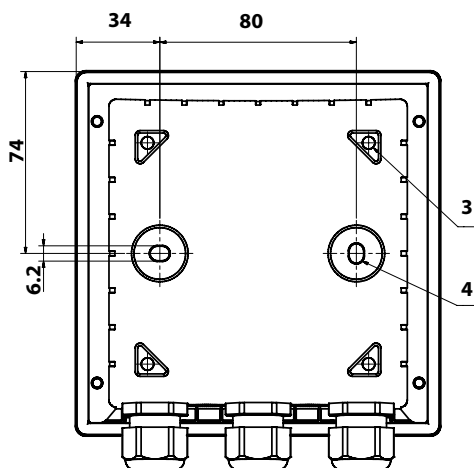
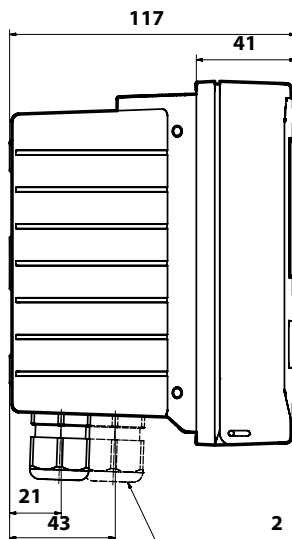
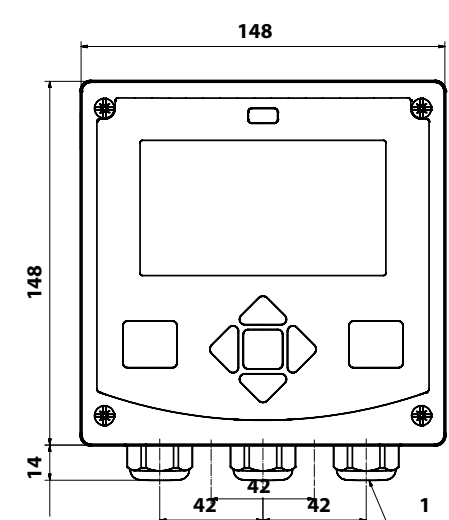
- Unidade frontal, unidade traseira, saquinho com peças pequenas
- Relatório de teste específico
- Documentação
- CD-ROM

Fig.: Peças



- | | |
|---|---|
| 1) Jumper (3 unidades) | 6) Inserto de vedação (1 unidade) |
| 2) Arruela (1 unidade), para montagem do conduíte: Colocar a arruela entre o alojamento e a porca | 7) Redutor de borracha (1 unidade) |
| 3) Abraçadeira junta-cabos (3 unidades) | 8) Prensa-cabos M20x1,5 (3 unidades) |
| 4) Pino de dobradiça (1 unidade), inserível por qualquer um dos dois lados | 9) Adaptador (3 unidades) |
| 5) Parafuso do alojamento (4 unidades) | 10) Porca sextavada (5 unidades) |
| | 11) Tampa de vedação (2 unidades), para vedar o alojamento quando montado em parede |

Plano de Montagem, Dimensões



- 1) Prensa-cabos (3 unidades)
- 2) 2 furos para prensa-cabos ou condutas de 1/2", 21,5 mm de diâmetro. Conexões para condutas não inclusas!
- 3) 4 furos para montagem em tubo
- 4) 2 furos para montagem em parede

Todas as dimensões em milímetros

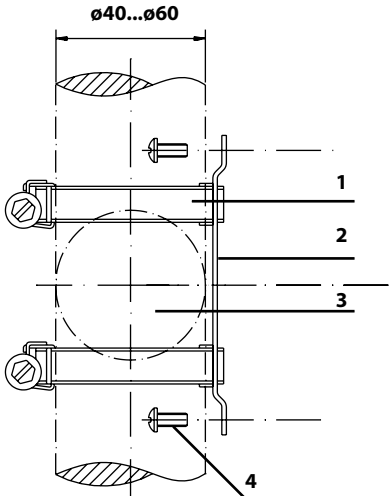
Acessórios de Montagem

Kit para montagem em tubo (acessório ZU 0274),

Alojamento de proteção p/ montagem em parede ou tubo (acessório ZU 0737),

Kit para montagem em painel (acessório ZU 0738)

Montagem em Tubo, Capuz de Proteção



- 1) Abraçadeira com rosca sem fim para mangueira conforme norma DIN 3017 (2 unidades)
- 2) Chapa monta-tubo (1 unidade)
- 3) Para tubos/colunas verticais/horizontais
- 4) Parafuso autoatarraxante (4 unidades)

Fig.: Kit para montagem em tubo, acessório ZU 0274

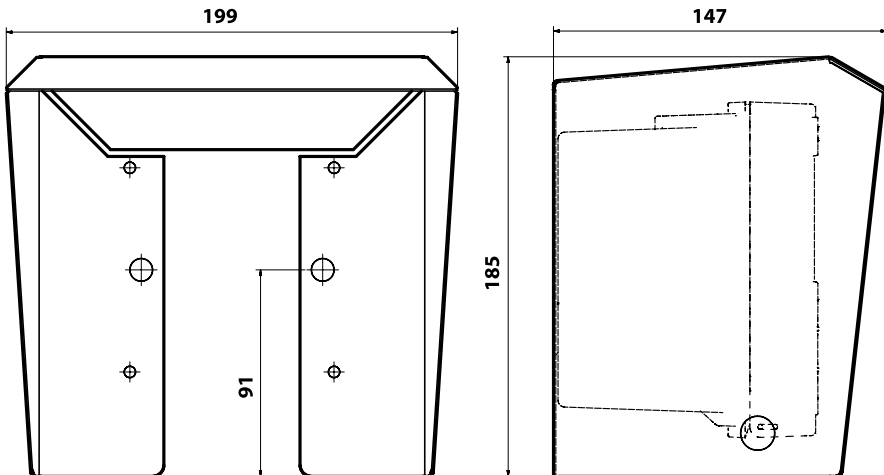
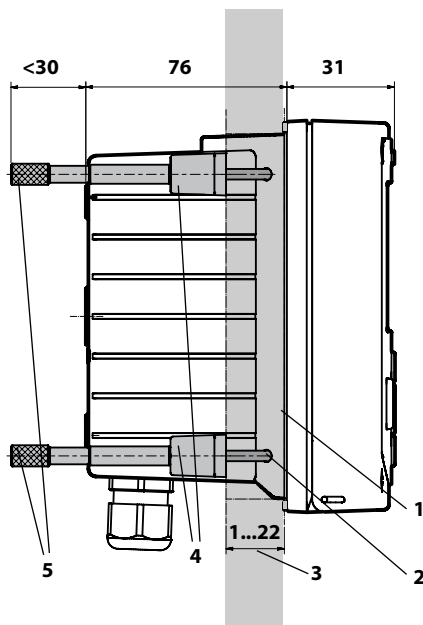


Fig.: Alojamento de proteção (capuz) para montagem em parede ou tubo, acessório ZU 0737

Montagem em Painel



- 1) Vedação circunferencial (1 unidade)
- 2) Parafusos (4 unidades)
- 3) Posição do painel de controle
- 4) Espaçador (4 unidades)
- 5) Manga rosca (4 unidades)

Recorte no painel
138 x 138 mm (DIN 43700)

Fig.: Kit para montagem em painel, acessório ZU 0738

Para conexão de sensores analógicos:
 Inserir módulo intercambiável (módulo de medição)

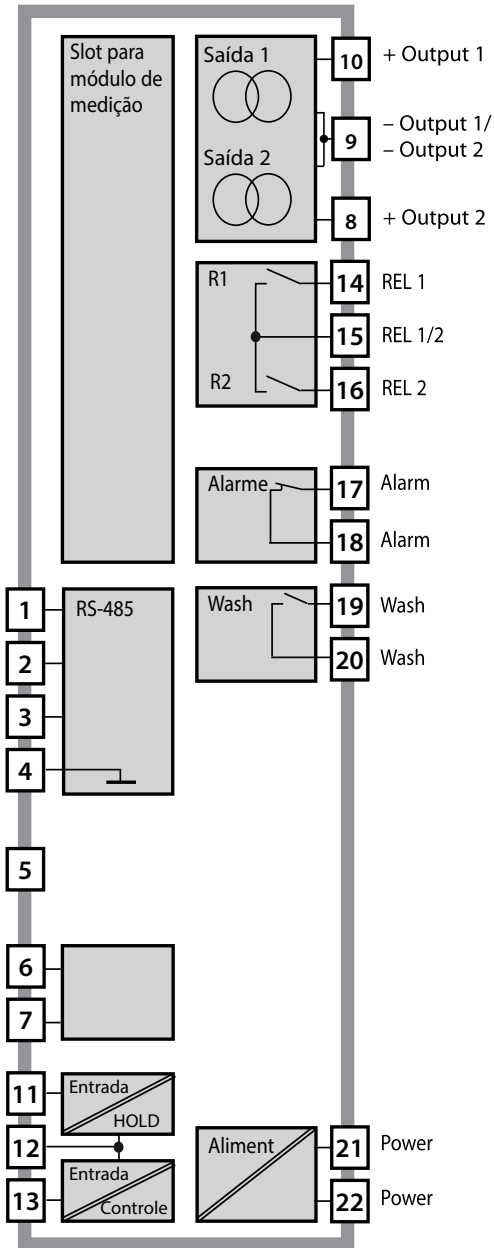
Memosens

- +3 V
- RS 485 A
- RS 485 B
- GND/Shield

- PWR out
 Saída de alimentação
 3,1/12/15/24 V 1 W

- Input +
- Input -

- HOLD +
- HOLD -/
 CONTROL -
- CONTROL +



Alimentação

Ligue a alimentação do Stratos Evo aos terminais 21 e 22
(24 ... 230 Vca, 45 ... 65 Hz / 24 ... 80 Vcc).

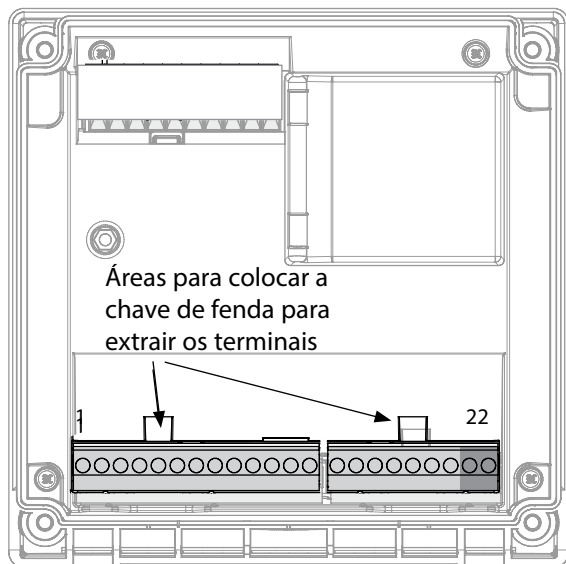


Figura:
Terminais, instrumento aberto, parte traseira da unidade frontal

Conexão do Sensor Memosens

Conecte o sensor Memosens à interface RS-485 do instrumento e então selecione a função de medição. (Ao mudar para outro tipo de sensor, pode-se mudar a função de medição no menu de Serviço.) Ao selecionar o sensor no menu de Configuração, os dados de calibração são lidos no sensor e depois podem ser modificados por calibração.

Arranjo de Terminais

Conexão do Memosens

1 (BN)	+3 V	Marrom
2 (GN)	RS 485 A	Verde
3 (YE)	RS 485 B	Amarelo
4 (WH)	GND/shield	Branco / Blindagem
5	Power Out	
6	+ input	
7	- input	

Saídas de corrente OUT1, OUT2

8	+ Out 2
9	- Out 2 / - Out 1 / HART
10	+ Out 1 / HART
11	HOLD
12	HOLD / Control
13	Control

Relés REL1, REL2

14	REL 1
15	REL 1/2
16	REL 2
17	alarm
18	alarm
19	wash
20	wash

Alimentação

21	power
22	power

Instruções de Instalação

- A instalação do instrumento deverá ser executada por peritos treinados de acordo com este manual e de acordo com as leis vigentes no país.
- Não deixe de observar as especificações técnicas e o valores nominais de alimentação elétrica durante a instalação!
- Tome cuidado para não danificar o condutor ao remover sua isolação!
- Antes de conectar a alimentação do instrumento, verifique se a tensão está na faixa de 80 a 230 Vca/Vcc ou 24 a 60 Vcc.
- Um sinal de corrente fornecido à entrada de corrente deverá ter isolação galvânica, caso contrário instale um módulo isolante.
- Todos os parâmetros deverão ser configurados por um administrador de sistema antes das operações iniciais!

Terminais:

Os terminais são para fios sólidos ou múltiplos de até 2,5 mm².

Aplicação em áreas classificadas:

Para uso em áreas classificadas, veja os documentos separados:

Instruções de Segurança

Instalação e Uso em Áreas Classificadas

(enviados somente com instrumentos para áreas classificadas)

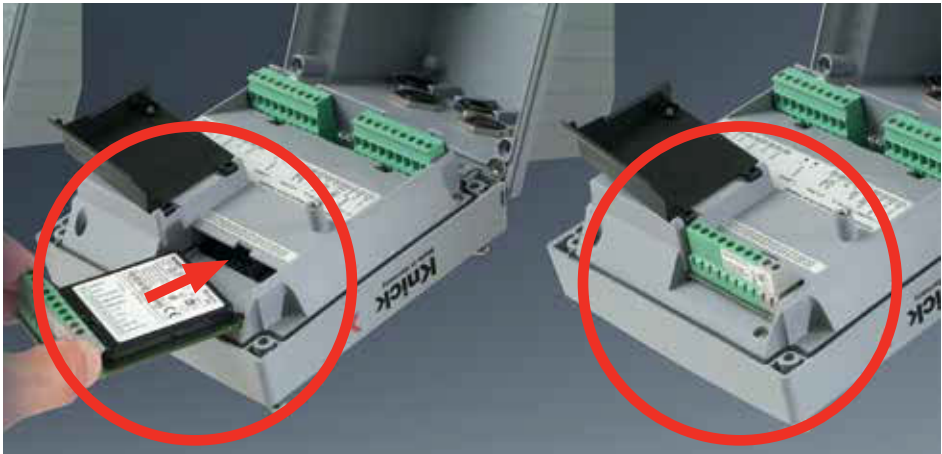
Partida

Na partida inicial, o analisador reconhece automaticamente o módulo conectado e faz os devidos ajustes no software. Ao substituir o módulo de medição, é preciso selecionar a função de medição correspondente no menu de Serviço.

Isso não se aplica ao módulo multicanal para duas medições de condutividade e aos sensores Memosens. Nesse caso o instrumento pede para selecionar a função de medição desejada na primeira partida.

Mudar a Função de Medição

No menu de Serviço, pode-se escolher uma outra função de medição a qualquer momento.



Módulos de medição para conexão de sensores analógicos de pH:

Os módulos de medição para sensores analógicos são simplesmente inseridos no slot de módulo. Na partida inicial, o analisador reconhece automaticamente o módulo e ajusta o software convenientemente. Ao substituir um módulo de medição, é preciso selecionar a respectiva função de medição no menu de "Serviço".

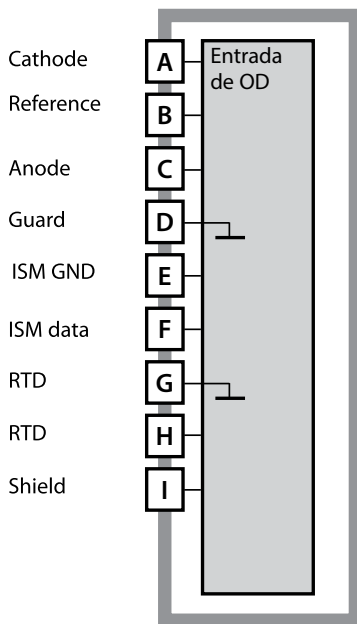
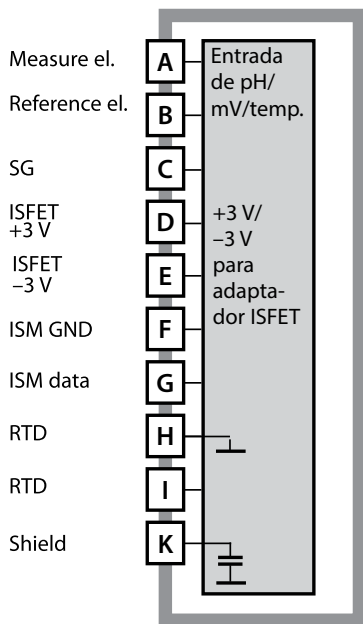
Módulo de medição para um segundo canal Memosens

Para medir duas variáveis de processo com sensores Memosens, é preciso inserir um módulo Memosens para o segundo canal. O modo de operação para medição multi-canal (tipo de instrumento) precisa ser selecionado no menu de Configuração.

Pode-se fazer as seguintes combinações:

Memosens pH + Memosens pH

Memosens pH + Memosens OD



Módulo para medição de pH

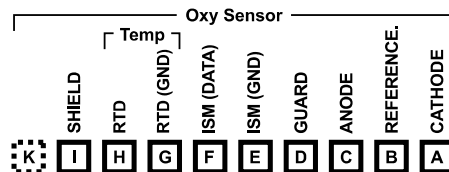
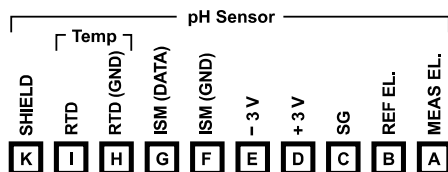
Código para pedido MK-PH015

Veja exemplos de fiação no CD de documentação ou no site www.knick.de.

Módulo para medição de OD

Código para pedido MK-OXY045

Veja exemplos de fiação no CD de documentação ou no site www.knick.de.

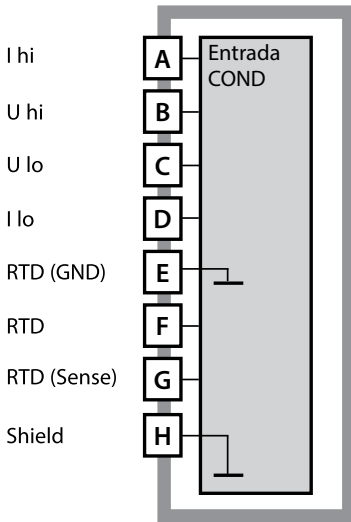


Identificação de terminais do módulo de pH

Os terminais aceitam fios sólidos ou múltiplos de até 2,5 mm².

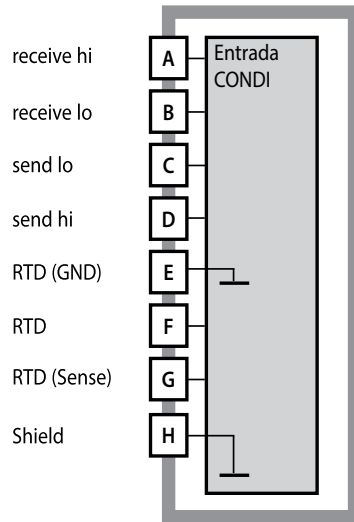
Identificação de terminais do módulo de OD

Os terminais aceitam fios sólidos ou múltiplos de até 2,5 mm².



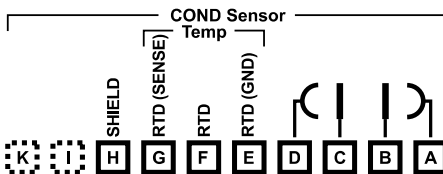
Módulo para medição de condutividade com contato (COND)

Código para pedido MK-COND025
Veja exemplos de fiação no CD de documentação ou no site www.knick.de.



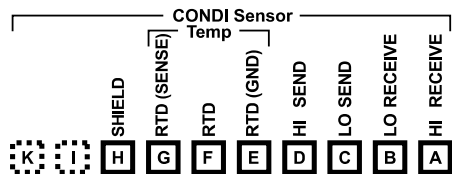
Módulo para medição de condutividade sem contato (CONDI)

Código para pedido MK-CONDI035
Veja exemplos de fiação no CD de documentação ou no site www.knick.de.



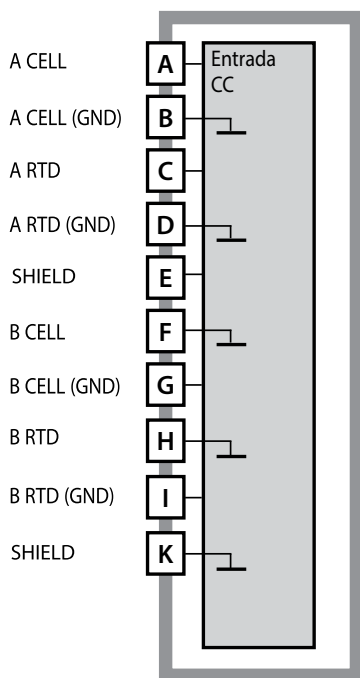
Identificação de terminais do módulo COND

Os terminais aceitam fios sólidos ou múltiplos de até 2,5 mm².



Identificação de terminais do módulo CONDI

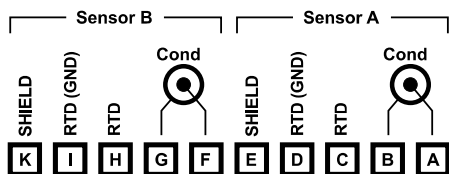
Os terminais aceitam fios sólidos ou múltiplos de até 2,5 mm².



Módulo para 2 medições de condutividade

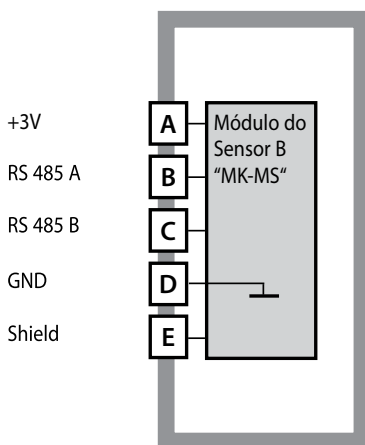
Código para pedido MK-CC065 (não Ex!)

Veja exemplos de fiação no CD de documentação ou no site www.knick.de.



Identificação de terminais para 2 medições de condutividade

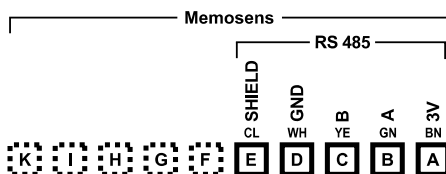
Os terminais aceitam fios sólidos ou múltiplos de até 2,5 mm².



Módulo para um segundo canal Memosens

Código para pedido MK-MS095

Veja exemplos de fiação no CD de documentação ou no site www.knick.de.



Identificação de terminais para um segundo canal Memosens

Os terminais aceitam fios sólidos ou múltiplos de até 2,5 mm².

Partida

Ao colocar o analisador em operação pela primeira vez, ele pede para selecionar a função de medição desejada (um sensor Memosens conectado não é identificado automaticamente).

Mudar a Função de Medição

No menu de Serviço, pode-se escolher uma outra função de medição a qualquer momento.

Calibração e Manutenção em Laboratório

O software MemoSuite permite calibrar os sensores Memosens sob condições reproduzíveis em PC de laboratório. Os parâmetros do sensor são registrados numa base de dados. A documentação e o arquivamento atende as exigências CFR 21 Part 11 do FDA. Relatórios detalhados podem ser exportados em formato csv para exibição no Excel. O MemoSuite é disponível como acessório e vem nas versões "Basic" e "Advanced": www.knick.de.

Parametrização e especificações

Sensor conectado no momento: Tipo de sensor, fabricante, código para pedido e número de série

The screenshot shows the MemoSuite software interface. At the top, there is a menu bar with options: StartCenter, Calibration, Table View, History, Statistics, and pH Buffers. The 'pH Buffers' option is highlighted. Below the menu, there are two main panels. The left panel, titled 'Measured values', displays three rows of data: 'pH value' with a value of 7.09 pH, 'pH voltage' with a value of 49.2 mV, and 'Temperature' with a value of 25.1 °C. The 'pH value' is circled in red. The right panel, titled 'Sensor data', displays sensor information: 'Sensor type: pH (glass)', 'Manufacturer: KNICK', 'Order code: SE 533X/1-NMSN', 'Serial number: 1030550', 'Measuring point: 0', and 'Tag number: 0'. Below this, there is an 'Adjustment data' section showing 'Date: 6/27/2011 20:09:12', 'Slope: 58.5 mV/pH', and 'Zero point: 7.06 pH'. A 'View' button is located to the right of the 'Sensor data' section. A red box highlights the top right corner of the interface, containing the sensor type, manufacturer, order code, and serial number. A red circle highlights the 'pH Buffers' menu item. A red circle highlights the '7.09 pH' value in the 'Measured values' section. A red circle highlights the '7.09 pH' value in a separate box at the bottom of the page.

Seleção de função
(A função selecionada é destacada.)

Sensor conectado:
Tipo de sensor, fabricante, código para pedido e número de série, ponto de medição e número de taga

Último ajuste

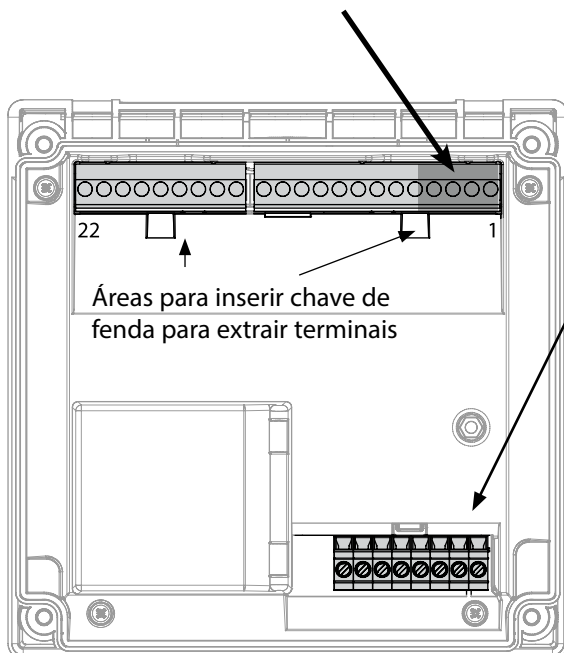
pH value

7.09 pH

Para ampliar um valor medido clique com o mouse sobre ele.

Conexão convencional (sensor A)

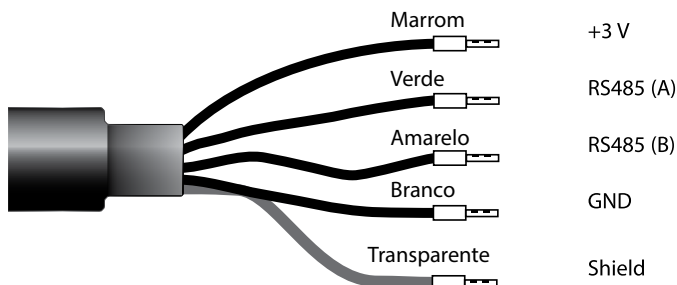
1	Marrom	+3 V
2	Verde	RS 485 A
3	Amarelo	RS 485 B
4	Branco/Transp.	GND/shield



Para instrumentos duais (2 canais de medição): (Módulo MK-MS095) Conexão de sensor B

A	Marrom	+3 V
B	Verde	RS 485 A
C	Amarelo	RS 485 B
D	Branco	GND
E	Transp.	SHIELD

Cabo Memosens



Cabo para transmissão digital indutiva (sem contato) de sinais medidos (Memosens). Com perfeita isolamento galvânica entre o sensor e o analisador/transmissor, o cabo Memosens evita interferências na medição. Quaisquer efeitos de umidade e corrosão são eliminados.

Especificações

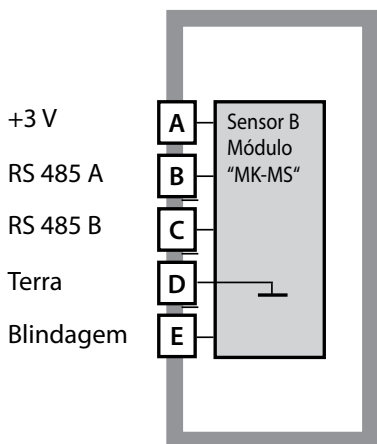
Material	TPE
Diâmetro do cabo	6,3 mm
Comprimento	até 100 m
Temperatura do processo	-20 °C ... 135 °C / -4...+275 °F
Proteção do alojamento	IP 68

Códigos para Pedido

	Tipo de cabo	Comprimento	Código p/ Pedido
Memosens	Terminais ilhós	3 m	CA/MS-003NAA
		5 m	CA/MS-005NAA
		10 m	CA/MS-010NAA
		20 m	CA/MS-020NAA
	Plugue M12, 8 pinos	3 m	CA/MS-003NCA
		5 m	CA/MS-005NCA
Memosens Ex*	Terminais ilhós	3 m	CA/MS-003XAA
		5 m	CA/MS-005XAA
		10 m	CA/MS-010XAA
		20 m	CA/MS-020XAA
	Plugue M12, 8 pinos	3 m	CA/MS-003XCA
		5 m	CA/MS-005XCA

Outras medidas ou tipos de cabos podem ser encomendados.

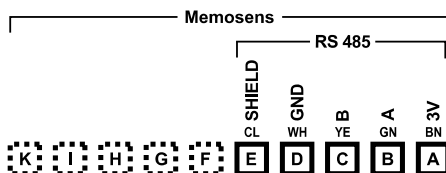
* Certificado para área explosiva: ATEX II 1G Ex ia IIC T3/T4/T6 Ga



Módulo para 2.º canal Memosens

Código para pedido MK-MS095

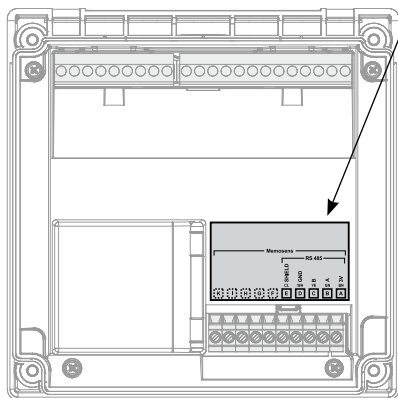
Veja exemplos de fiação nas páginas seguintes.



Etiqueta do módulo para 2.º canal Memosens

Para conexão de fios rígidos ou flexíveis de até 2,5 mm².

O módulo de medição vem com uma etiqueta autoadesiva. Cole-a no slot do módulo na frente do instrumento para sempre saber como são feitas as conexões.



Modo Medição

Pré-requisitos: É preciso conectar um sensor Memosens ou instalar um módulo de medição com o respectivo sensor analógico conectado.

Ao ligar o analisador, ele entra automaticamente no modo Medição.

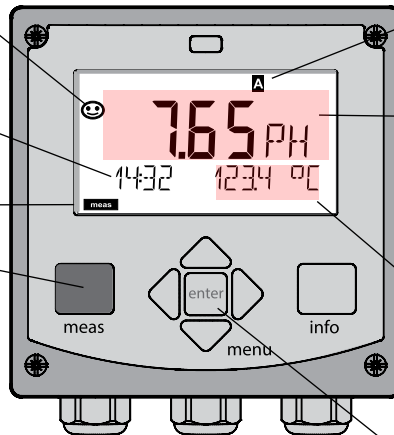
Para entrar no modo medição a partir de outro modo de operação (ex.: Diagnósticos, Serviço), pressione e segure a tecla **meas** (> 2 s).

Indicador Sensoface
(status do sensor)

Hora

Indicador de modo
(medição)

Pressione e segure a
tecla **meas** para chamar
o modo Medição.
(ao pressionar mais uma
vez, o display muda)



Conjunto de
parâmetros ativo
(configuração)

O display indica
OUT1:
valor medido, por
exemplo

O display indica
OUT2:
Temperatura,
por exemplo

Dependendo da configuração, pode-se configurar o display para exibir um determinado conjunto de informações (display padrão) no modo medição (veja pág. 159).

Nota: Ao pressionar a tecla **meas** no modo medição, as informações são exibidas por aproximadamente 60 s.



Atenção:

O analisador precisa ser configurado para a tarefa de medição desejada!

Teclas de seta para cima/baixo

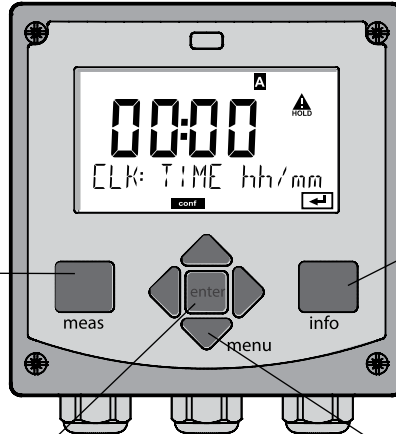
- Menu:
Aumenta/diminui um número
- Menu: Seleção

Teclas de seta esquerda/direita

- Menu:
Menu anterior/ seguinte
- Introdução de número:
Move entre dígitos

meas

- Volta para o último nível de menus
- Entra diretamente no modo medição (pressionar > 2 s)
- Modo medição:
outras informações (temporariamente por aprox. 60 s)



info

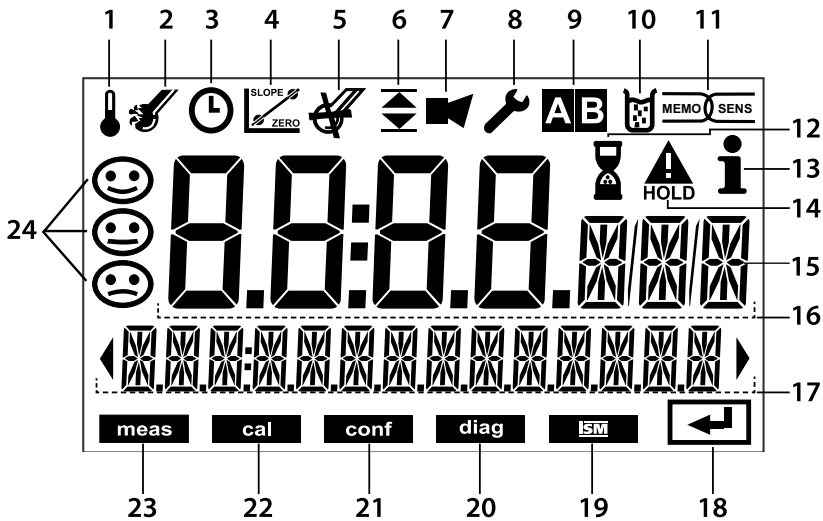
- Exibe informações e mensagens de erro

enter

- Configuração:
Confirma introduções, próximo passo de configuração
- Calibração:
Continua o fluxo do programa

menu

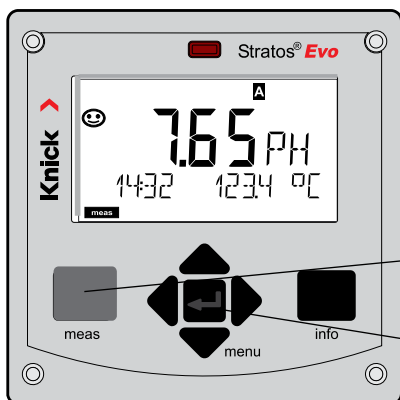
- Modo medição:
Chama menus



- | | | | |
|----|---|----|-----------------------------|
| 1 | Temperatura | 13 | Inform. disponível |
| 2 | Sensocheck | 14 | Modo HOLD ativo |
| 3 | Intervalo / tempo de resposta | 15 | Símbolos de unidade |
| 4 | Dados do sensor | 16 | Display primário (processo) |
| 5 | Sensocheck | 17 | Display secundário |
| 6 | Mensagem de limite:
Limite 1 ▼ ou Limite 2 ▲ | 18 | Prosseguir com enter |
| 7 | Alarme | 19 | Sensor ISM |
| 8 | Serviço | 20 | Diagnósticos |
| 9 | Conjunto de parâmetros | 21 | Modo configuração |
| 10 | Calibração | 22 | Modo calibração |
| 11 | Sensor digital | 23 | Modo medição |
| 12 | Em espera | 24 | Sensoface |

Cores dos Sinais (Iluminação de Fundo do Display)

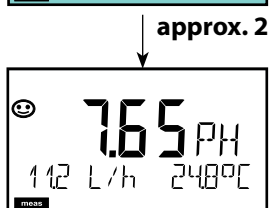
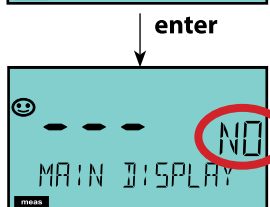
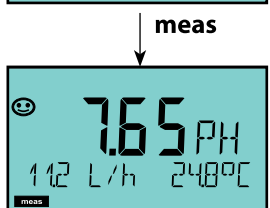
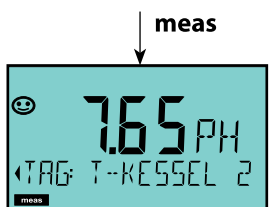
Vermelho	Alarme (em caso de falha: valores no display piscam)
Vermelho piscante	Erro de introdução: Valor ilegal ou senha errada
Laranja	Modo HOLD (Calibração, Configuração, Serviço)
Turquesa	Diagnósticos
Verde	Informações
Roxo	Mensagem Sensoface (pré-alarme)



O “Display Principal” mostra as informações no modo medição. Para chamar o modo medição a partir de qualquer outro modo, pressione e segure a tecla **meas** por pelo menos 2 segundos.

Tecla **meas**

Tecla **enter**



Para ver outras informações, como número do tag (TAG) e vazão (L/h), pressione brevemente a tecla **meas**.

Essas informações são exibidas em turquesa. Após 60 segundos o display principal reaparece.

Pressione **enter** para selecionar o display como principal (MAIN DISPLAY.)

O display secundário mostra “MAIN DISPLAY – NO”.

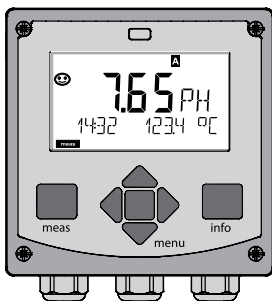
Use as teclas ▲ ▼ para selecionar “MAIN DISPLAY – YES” e confirme com **enter**.

A cor do display muda para branca. Agora o display está no modo medição.

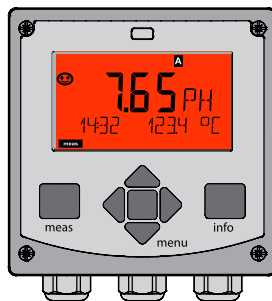
A codificação em cores da interface do usuário oferece maior segurança de operação. Os modos de operação são sinalizados com clareza.

O modo de medição normal é mostrado em branco. Textos informativos aparecem numa tela verde e o menu de diagnósticos é exibido em turquesa. O modo HOLD em laranja (ex.: durante a calibração) fica visível rapidamente, da mesma forma que a tela magenta, que mostra mensagens de gestão de ativos para diagnósticos preditivos como aviso para manutenção, pré-alarme e desgaste do sensor.

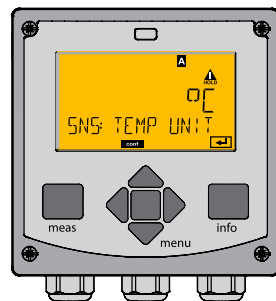
O status de alarme é indicado por um fundo vermelho especialmente destacado e é também sinalizado por valores piscantes. Introduções de dados inválidos ou senhas falsas fazem o display inteiro piscar em vermelho para que os erros de operação sejam perceptivelmente reduzidos.



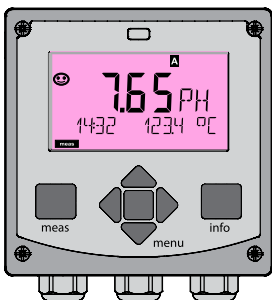
Branco:
Modo medição



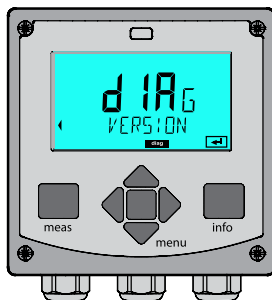
Vermelho piscante:
Alarme, erros



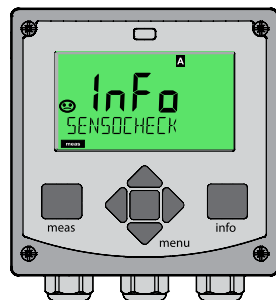
Laranja:
Modo HOLD



Magenta:
Aviso p/ manutenção



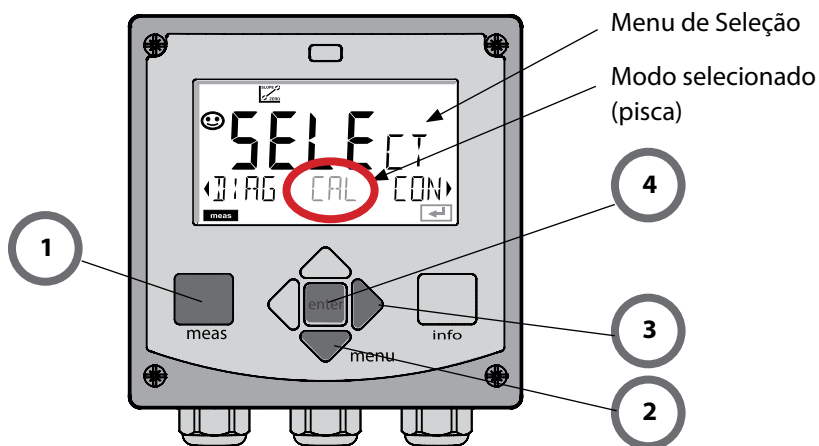
Turquesa:
Diagnósticos



Verde:
Textos informativos

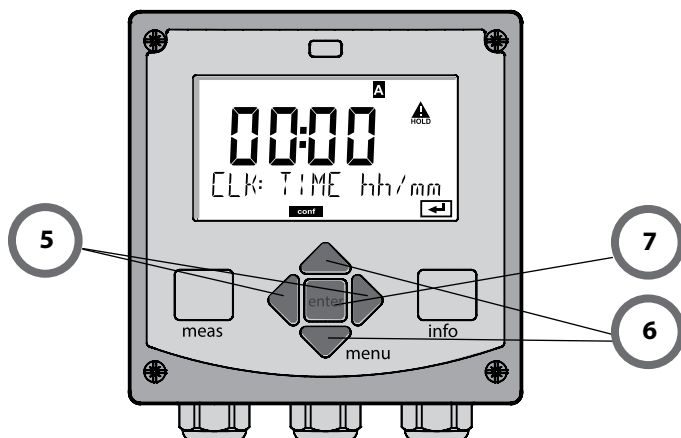
Para selecionar o modo de operação:

- 1) Pressione e segure a tecla **meas** (> 2 s) (modo medição).
- 2) Pressione a tecla **menu**: o menu de Seleção aparece.
- 3) Selecione o modo de operação com as teclas de seta esquerda/direita.
- 4) Pressione **enter** para confirmar o modo selecionado.



Para introduzir um valor:

- 5) Selecione um número: teclas de seta esquerda/direita
- 6) Mude o número: teclas de seta acima/abaixo
- 7) Confirme a introdução com **enter**.



Diagnósticos

Exibição de dados de calibração, exibição de dados do sensor, monitoração do sensor, execução de autoteste do instrumento, exibição de eventos registrados, exibição de versões de hardware/software de componentes individuais. O registrador interno pode armazenar até 100 eventos (00 ... 99), que podem ser exibidos diretamente no instrumento. O registrador pode ser estendido para 200 registros com a opção TAN.

HOLD

Ativação manual do modo HOLD para troca do sensor, por exemplo.
As saídas de sinal assumem um estado definido.

Calibração

Cada sensor tem seus próprios valores, que mudam com o tempo de operação. A calibração é necessária para uma medição correta. O instrumento checa qual valor o sensor fornece ao medir uma solução conhecida. Se houver algum desvio, o instrumento pode ser "ajustado". Nesse caso o instrumento mostra o valor "atual" e corrige internamente o erro de medição do sensor.

A calibração deve ser repetida a intervalos regulares. O tempo entre as calibrações depende da carga no sensor. Durante a calibração o instrumento fica no modo HOLD.

Durante a calibração o instrumento permanece no modo HOLD até ser mudado pelo operador.

Configuração

O analisador precisa ser configurado para a respectiva tarefa de medição!

No modo "Configuração", seleciona-se o método de medição, o sensor conectado, a faixa de medição a ser transmitida e as condições para mensagens de aviso e alarme. Durante a configuração, o instrumento fica no modo HOLD.

O instrumento sai do modo configuração automaticamente 20 minutos após o último toque no teclado e volta para o modo medição.

Serviço

Funções de manutenção (sinal de corrente, teste de relés, teste do controlador), criação de senha, seleção de tipo de instrumento, restauração dos parâmetros de fábrica, habilitação de opcionais (TAN).

O modo HOLD é um estado de segurança usado durante a configuração e a calibração. A saída de corrente é congelada (LAST = ÚLTIMO) ou colocada num valor fixo (FIX = FIXO). Os contatos de alarme e limite são desabilitados.

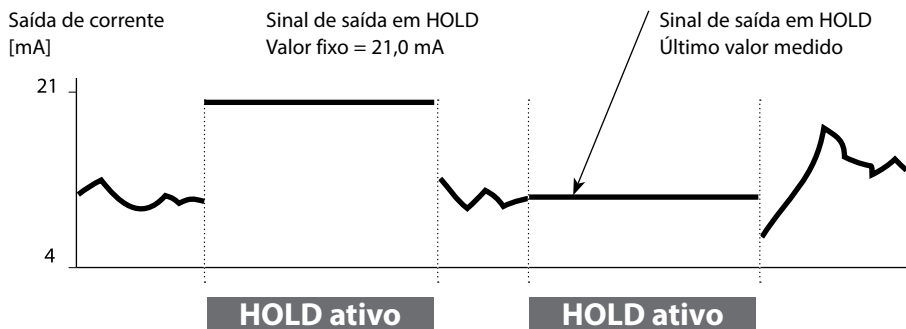
A cor de fundo do display muda para laranja e exibe o ícone:



Resposta do sinal de saída

- **LAST:** A saída de corrente é congelada com seu último valor. Recomendado para pequenos procedimentos de configuração. O processo não deve mudar significativamente durante a configuração. As mudanças não são percebidas neste caso!
- **FIX:** A saída de corrente é colocada num valor notavelmente diferente do valor de processo para informar ao sistema de controle que o analisador está sendo modificado.

Sinal de saída durante HOLD:



Sair do modo HOLD

Para sair do modo HOLD basta mudar para o modo medição (pressionar e segurar a tecla **meas**). O display mostra “Good Bye”. E então o instrumento sai do modo HOLD. Ao sair do modo calibração, o instrumento pergunta se a instalação está pronta para operação (ex.: sensor reinstalado, localizado no processo).

Ativação externa de HOLD

O modo HOLD pode ser ativado externamente enviando um sinal para a entrada HOLD (pelo sistema de controle de processo, por exemplo).

HOLD inativo	0...2 Vca/Vcc
HOLD ativo	10...30 Vca/Vcc

Alarme

Ao ocorrer um erro, o display mostra **Err xx** imediatamente.

O alarme só é registrado após expirar um determinado tempo definido pelo usuário.

Durante um alarme o display pisca com o fundo em vermelho.

As mensagens de erro podem também ser sinalizadas por uma saída de corrente de 22 mA (quando devidamente configurada).

O relé de alarme é ativado por alarme ou falha de alimentação. Dois segundos após a falha ser corrigida, o status de alarme é deletado.

O sinal de 22 mA pode também ser ativado por mensagens Sensoface (configurável).

Gerar uma mensagem através da entrada CONTROL

(vazão mín. / vazão máx.)

A entrada CONTROL pode ser usada para seleção de conjunto de parâmetros ou para medição de vazão (princípio de pulsos), dependendo do que for definido no menu de Configuração.

Primeiro, o transmissor de vazão precisa ser calibrado no menu

CONTROL: ADJUST FLOW

Quando configurado para medição de vazão

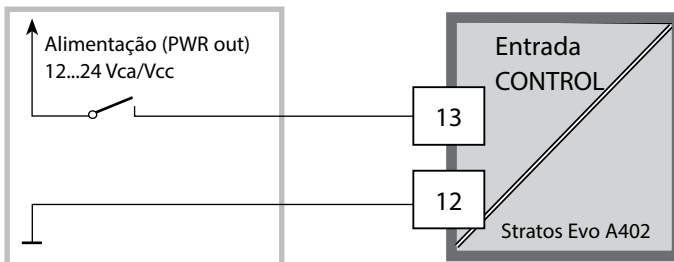
CONF/CNTR_IN/CONTROL = FLOW

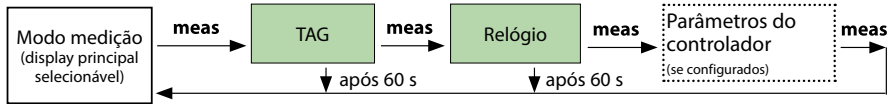
um alarme pode ser gerado quando a vazão medida sair da faixa especificada:

CONF/ALA/FLOW CNTR = ON

CONF/ALA/FLOW min (especificar valor, default: 5 litros/h)

CONF/ALA/FLOW max (especificar valor, default: 25 litros/h)





Pressione a tecla **menu** (seta p/ baixo) para selecionar menus.
 Selecione o menu com as teclas de seta esquerda/direita.
 Para abrir um item de menu pressione **enter**. Pressione **meas** para voltar.



DIAG

CALDATA	Exibição de dados de calibração
SENSOR	Exibição de dados do sensor
SELFTEST	Autoteste: RAM, ROM, EEPROM, módulo
LOGBOOK	Registrador de 100 eventos com data e hora
MONITOR	Exibição de valores diretos do sensor
VERSION	Exibição de versão do software, modelo e n.º de série

HOLD

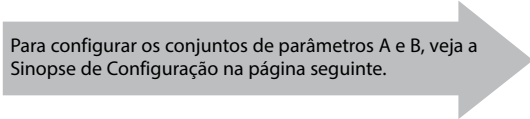
Ativação manual do modo HOLD, para troca do sensor, por exemplo.
 Os sinais de saída comportam-se como configurados (ex.: último valor medido, 21 mA).

CAL

pH	Ajuste de pH / Ajuste de ORP / Calibração do produto
Oxy	Ajuste (água/ar) / Ajuste de zero / Cal. do produto
COND(I)	Ajuste c/ solução / Introd. de fator de célula / Cal. produto
CAL_RTD	Ajuste da sonda de temperatura

CONF

PARSET A	Para configurar os conjuntos de parâmetros A e B, veja a Sinopse de Configuração na página seguinte.
PARSET B	



SERVICE

(Acesso por senha, senha de fábrica: 5555)

MONITOR	Exibição de valores medidos para validação (simuladores)
SENSOR	Sensor (cancelar mensagens de diagnósticos)
POWER OUT	Seleção de tensão de saída (3,1 V / 12 V / 15 V / 24 V)
OUT1	Sinal de corrente, saída 1
OUT2	Sinal de corrente, saída 2
RELAIS	Teste dos relés
CONTROL	Controlador: Especificação manual da saída do controlador
CODES	Criação de senhas para os modos de operação
DEVICE TYPE	Seleção de tipo de instrumento
DEFAULT	Restauração de valores de fábrica
OPTION	Habilitação de opcional via TAN.

Os passos de configuração encontram-se em vários menus.

Com as teclas “seta p/ esquerda” e “seta p/ direita” pode-se pular de um menu para outro. Cada menu contém itens para ajuste de parâmetros.

Para abrir um item de menu pressione **enter**.

Use as teclas de seta para editar um valor.

Pressione **enter** para confirmar/salvar os valores.

Para voltar para medição, pressione e segure a tecla **meas** (> 2 s).

Selecionar menu	Menu	Acrôn.	Display	Selecionar item de menu
	Seleção de sensor (instrumento multicanal: selecione sensor A/B)	SNS: (S_A / S_B)	Conf SENSOR	<p>enter</p> <p>enter</p> <p>enter</p> <p>enter</p>
		Item de menu 1		
		:		
		Item de menu ...		
▶	Saída de corrente 1	OT1:	Conf OUT 1	
▶	Saída de corrente 2	OT2:	Conf OUT 2	
▶	Compensação	COR:	Conf CORRECTION	
▶	Entrada de controle (conj. de parâmetros ou medição de vazão)	IN:	0000 COR TELIBU	
▶	Modo alarme	ALA:	Conf ALARM	
▶	Relés de saída	REL:	Conf REL 1/REL 2	
▶	Limpeza	WSH:	Conf WASH	
▶	Acerto do relógio	CLK:	Conf CLOCK	
▶	Número do tag	TAG:	Conf TAG	

Nota: Com instrumentos duais MSPH-MSPH ou MSPH-MSOXY, os dois conjuntos de parâmetros são substituídos por dois sensores A e B.

Conjunto de Parâmetros A/B: Menus Configuráveis

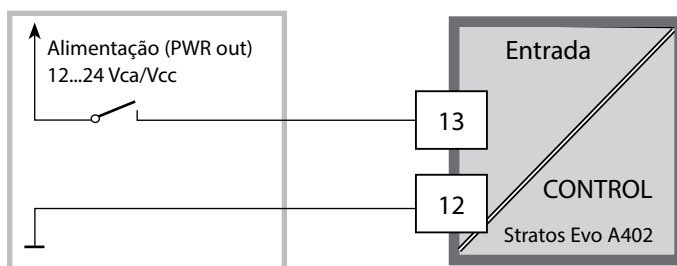
O instrumento possui 2 conjuntos de parâmetros (A e B). Alternando entre os conjuntos, pode-se, por exemplo, adaptar o instrumento a diferentes situações de medição.

O conjunto de parâmetros B só permite o ajuste de parâmetros relacionados ao processo.

Menu	Conj. de parâmetros A	Conj. de parâmetros B
SENSOR	Seleção de sensor	---
OUT1	Saída de corrente 1	Saída de corrente 1
OUT2	Saída de corrente 2	Saída de corrente 2
CORRECTION	Compensação	Compensação
CNTR_IN	Entrada CONTROL	---
ALARM	Modo alarme	Modo alarme
REL 1/REL 2	Relês de saída	Relês de saída
WASH	Limpeza	---
PARSET	Seleção conj. de parâmetros (não para instrumentos duais)	---
CLOCK	Acerto do relógio	---
TAG	TAG do ponto de medição	---
GROUP	GRUPO de pontos de medição	---

Comutação externa de conjuntos de parâmetros A/B




Pode-se alternar entre os conjuntos de parâmetros A e B aplicando um sinal na entrada CONTROL (configurar: CNTR-IN – PARSET).



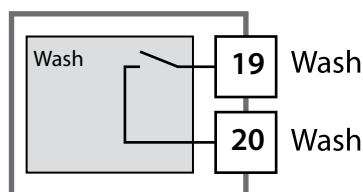
Conjunto de parâmetros A ativo 0...2 Vca/Vcc

Conjunto de parâmetros B ativo 10...30 Vca/Vcc

Conj. de Parâmetros A/B: Comutação Manual

Display	Ação	Observação
	Para alternar entre os conjuntos de parâmetros, pressione meas .	A seleção manual de conjuntos de parâmetros precisa ser pré-configurada no modo Configuração. O default é conjunto de parâmetros A fixo. Configuração errada muda as propriedades de medição!
	PARSET pisca na linha inferior. Selecione o conjunto de parâmetros com as teclas ◀ e ▶.	
	Selecione PARSET A / PARSET B	O conj. de parâmetros ativo no momento é exibido: 
	Pressione enter para confirmar. Para cancelar, pressione meas .	

Conj. de Parâmetros A/B: Sinalização via Relé WASH

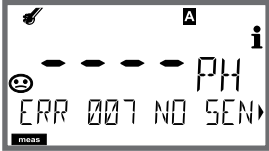

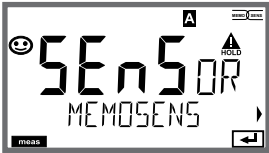
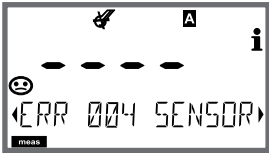


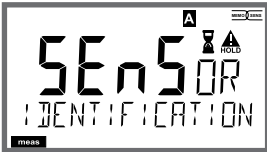
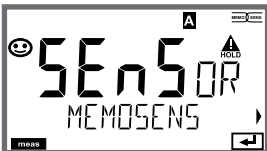
O conjunto de parâmetros ativo pode ser sinalizado através do relé WASH:

Se devidamente configurado, o relé WASH sinaliza:

Conjunto de parâmetros A: Contato aberto

Conjunto de parâmetros B: Contato fechado

Passo	Ação/Display	Observação
Conecte o sensor		Antes de conectar um sensor Memosens, a mensagem de erro "NO SENSOR" (sem sensor) é exibida.
Espera a exibição dos dados do sensor.		A ampulheta pisca no display.
Verifique os dados do sensor	 <p>Veja informações do sensor com as teclas ◀ ▶ e confirme com enter.</p>	A carinha fica alegre quando os dados do sensor estão OK.
Vá para o modo medição	Pressione meas , info ou enter .	Após 60 s, o instrumento volta automaticamente para o modo medição (tempo expirado).
Possível mensagem de erro		
Sensor com defeito Troque o sensor		Quando esta mensagem de erro aparece, o sensor não pode ser usado. A carinha fica triste.

Passo	Ação/Display	Observação
Selecione o modo HOLD. Um sensor só deve ser trocado no modo HOLD para evitar reações inesperadas das saídas ou relés.	Pressione a tecla menu para chamar o menu de seleção, selecione HOLD com as teclas ◀ ▶ e confirme com enter .	Agora o instrumento está no modo HOLD. O modo HOLD pode ser ativado também externamente através da entrada HOLD. Durante HOLD a saída de corrente é congelada com seu último valor ou com um determinado valor fixo.
Desconecte e remova o sensor velho.		
Instale e conecte o sensor novo.		Mensagens temporárias que são ativadas durante a troca são indicadas mas não ativam relés de alarme e não são registradas no logbook.
Espre a exibição dos dados do sensor.		
Verifique os dados do sensor	 Veja informações do sensor com as teclas ◀ ▶ e confirme com enter .	Pode-se ver o fabricante, o tipo, o número de série e a data da última calibração do sensor.
Verifique os valores medidos.		
Sair de HOLD	Pressione a tecla meas para voltar para o menu de seleção. Mantenha a tecla meas pressionada para voltar para o modo medição.	

Erro	Texto Informativo (exibido em caso de falha quando a tecla info é pressionada)	Problema e Causas Possíveis
ERR 01	NO SENSOR	Erro no sensor Tipo de instrumento não definido Sensor defeituoso Sensor não conectado Cabo do sensor rompido
ERR 02	WRONG SENSOR	Sensor errado
ERR 04	SENSOR FAILURE	Falha no sensor
ERR 05	CAL DATA	Erro nos dados de calibração
ERR 10	ORP RANGE	Violação da faixa do display ORP: < -1999 mV ou > 1999 mV
ERR 11	RANGE	Violação da faixa do display
ERR 12	MV RANGE	Faixa de mV
ERR 13	TEMPERATURE RANGE	Violação da faixa de temperatura (Ver "Faixa de medição" na página 160)
ERR 14	rH RANGE	Erro de faixa (rH)
ERR 15	SENSOCHECK GLASS-EL	Sensocheck vidro (pH)
ERR 60	OUTPUT LOAD	Erro de carga
ERR 61	OUTPUT 1 TOO LOW	Saída de corrente 1 < 0 (3,8) mA
ERR 62	OUTPUT 1 TOO HIGH	Saída de corrente 1 > 20,5 mA
ERR 63	OUTPUT 2 TOO LOW	Saída de corrente 2 < 0 (3,8) mA
ERR 64	OUTPUT 2 TOO HIGH	Saída de corrente 2 > 20,5 mA

Erro	Texto Informativo (exibido em caso de falha quando a tecla info é pressionada)	Problema e Causas Possíveis
ERR 95	SYSTEM ERROR	Erro no sistema É preciso reinicializar. Se o erro persistir, envie o instrumento para reparo.
ERR 97	WRONG MODULE	O módulo não corresponde à função de medição Corrija o parâmetro no menu SERVICE / DEVICE TYPE e então configure e calibre o instrumento.
ERR 98	CONFIGURATION ERROR	Erro nos dados de configuração ou calibração Defeito nos dados de configuração ou calibração; reconfigure integralmente e recalibre o instrumento.
ERR 99	DEVICE FAILURE	Erro nos valores de fábrica EEPROM ou RAM com defeito Esta mensagem só aparece em caso de defeito total. O instrumento precisa ser reparado e recalibrado na fábrica.
ERR 100	INVALID SPAN OUT1	Erro de configuração do span da saída 1 Span selecionado pequeno demais
ERR 101	INVALID SPAN OUT2	Erro de configuração do span da saída 2 Span selecionado pequeno demais

Erro	Texto Informativo (exibido em caso de falha quando a tecla info é pressionada)	Problema e Causas Possíveis
ERR 102	pH: FAILURE BUFFERSET -U1-	Erro de parâmetro Grupo de tampões especificável U1
	Operação multicanal: MSPH/MSPH, MSPH/MSOXY: A FAILURE BUFFERSET -U1-	Erro de parâmetro Grupo de tampões especificável U1, sensor A
ERR 104	INVALID PARAMETER CONTROLLER	Erro de parâmetro Controlador
ERR 105	INVALID SPAN I-INPUT	Erro de parâmetro Entrada de corrente
ERR 106	INVALID CHANNEL SELECTION OUT1/2	Operação multicanal: MSPH/MSPH, MSPH/MSOXY: Correntes não configuradas
ERR 107	INVALID CHANNEL SELECTION RELAYS	Operação multicanal: MSPH/MSPH, MSPH/MSOXY: Valores limite não configurados
ERR 108	Operação multicanal: MSPH/MSPH, MSPH/MSOXY: INVALID CHANNEL SELECTION CONTROL	Controlador não configurado

Mensagens Sensoface:

Timer de calibração expirado:	OUT OF CAL TIME CALIBRATE OR CHANGE SENSOR
TTM para ISM:	OUT OF MAINTENANCE CHECK ELECTROLYTE AND MEMBRANE
DLI para ISM:	END OF LIFETIME CHANGE SENSOR OR INNERBODY
Zero/rampa do sensor	SENSOR ZERO/SLOPE CALIBRATE OR CHANGE SENSOR
Resposta do sensor:	SENSOR DRIFT CALIBRATE OR CHANGE SENSOR
Desgaste do sensor (MS):	SENSOR WEAR CHECK ELECTROLYTE AND MEMBRANE
Desgaste do sensor (LDO, SE 740):	SENSOR WEAR CHANGE SENSOR CAP
Contador de autoclavagens:	AUTOCLAVE CYCLES OVERRUN
Ciclos CIP excedidos:	CIP-CYCLES OVERRUN
Ciclos SIP excedidos:	SIP-CYCLES OVERRUN
O TAG do sensor não corresponde à introdução no instrumento.	WRONG SENSOR TAG
O GRUPO do sensor não corresponde à introdução no instrumento.	WRONG SENSOR GROUP xxxx

Erro	Texto informativo (exibido em caso de falha quando a tecla info é pressionada)	Problema Possíveis causas
ERR 01	NO SENSOR	Erro no sensor Não designado ao tipo de instrumento Sensor defeituoso Sensor não conectado Cabo do sensor rompido
ERR 02	WRONG SENSOR	Sensor errado
ERR 04	SENSOR FAILURE	Falha no sensor
ERR 05	CAL DATA	Erro nos dados de calibração
ERR 10	CONDUCTANCE TOO HIGH Tipo de instrumento Cond-Cond: Canal A	Faixa de medição de condutância excedida
ERR 11	RANGE CONDUCTIVITY Tipo de instrumento Cond-Cond: Canal A	Violação da faixa do display
ERR 13	TEMPERATURE RANGE Tipo de instrumento Cond-Cond: Canal A	Violação da faixa de temperatura
ERR 15	SENSOCHECK Tipo de instrumento Cond-Cond: Canal A	Erro no sensor ou na linha
ERR 40	CONDUCTANCE TOO HIGH Tipo de instrumento Cond-Cond: Canal B	Faixa de medição de condutância excedida
ERR 41	RANGE CONDUCTIVITY Tipo de instrumento Cond-Cond: Canal B	Violação da faixa do display
ERR 43	TEMPERATURE RANGE Tipo de instrumento Cond-Cond: Canal B	Violação da faixa de temperatura
ERR 45	SENSOCHECK Tipo de instrumento Cond-Cond: Canal B	Erro no sensor ou na linha
ERR 59	INVALID CALCULATION	Cálculos inválidos
ERR 60	OUTPUT LOAD	Erro de carga

Erro	Texto informativo (exibido em caso de falha quando a tecla info é pressionada)	Problema Possíveis causas
ERR 61	OUTPUT 1 TOO LOW	Saída de corrente 1 < 0 (3,8) mA
ERR 62	OUTPUT 1 TOO HIGH	Saída de corrente 1 > 20,5 mA
ERR 63	OUTPUT 2 TOO LOW	Saída de corrente 2 < 0 (3,8) mA
ERR 64	OUTPUT 2 TOO HIGH	Saída de corrente 2 > 20,5 mA
ERR 72	FLOW TOO LOW	Vazão baixa demais
ERR 73	FLOW TOO HIGH	Vazão alta demais

Erro	Texto informativo (exibido em caso de falha quando a tecla info é pressionada)	Problema Possíveis causas
ERR 95	SYSTEM ERROR	Erro no sistema É preciso reiniciar. Se o erro persistir, envie o instrumento para conserto.
ERR 96	WRONG MODULE	O módulo não corresponde à função de medição Corrija a configuração no menu SERVICE / DEVICE TYPE. Então configure e calibre o instrumento.
ERR 97	NO MODULE INSTALLED	Não há módulo instalado
ERR 98	CONFIGURATION ERROR	Erro nos dados de configuração ou calibração Problema nos dados de configuração ou calibração; reconfigure e recalibre totalmente o instrumento.
ERR 99	DEVICE FAILURE	Erro nos valores de fábrica EEPROM ou RAM com defeito Esta mensagem só aparece em caso de defeito total. O instrumento precisa ser reparado e recalibrado na fábrica.

Erro	Texto informativo (exibido em caso de falha quando a tecla info é pressionada)	Problema Possíveis causas
ERR 104	INVALID PARAMETER CONTROLLER	Erro de configuração Controlador
ERR 105	INVALID SPAN I-INPUT	Erro de configuração Entrada de corrente
ERR 106	INVALID CHANNEL SELECTION OUT1/2	Cond-Cond: Canal Out1/Out2 não designado (desabilitado)
ERR 107	INVALID CHANNEL SELECTION RELAYS	Cond-Cond: Canal de relé não designado (desabilitado)
ERR 108	Cond, Condl, Cond-Cond: OUT1 INVALID CORNER X/Y	Curva bilinear: Ponto de vértice inválido
ERR 109	Cond, Condl, Cond-Cond: OUT2 INVALID CORNER X/Y	Curva bilinear: Ponto de vértice inválido
ERR 110	CATION EXCHANGER CAPACITY	Capacidade do trocador de íons esgotada – substituir

Mensagens Sensoface:

Ciclos CIP excedidos:	CIP-CYCLES OVERRUN
Ciclos SIP excedidos:	SIP-CYCLES OVERRUN
O Tag no sensor não corresponde ao que está no instrumento.	WRONG SENSOR TAG
O Grupo no sensor não corresponde ao que está no instrumento.	WRONG SENSOR GROUP xxxx

Knick
Elektronische Messgeräte GmbH & Co. KG



Beuckestraße 22
14163 Berlin
Germany

Phone: +49 30 80191-0
Fax: +49 30 80191-200
Web: www.knick.de
Email: knick@knick.de

Stratos Evo A402



090922

TE-212.101-KNX02

20160901

Softwareversion: 1.x