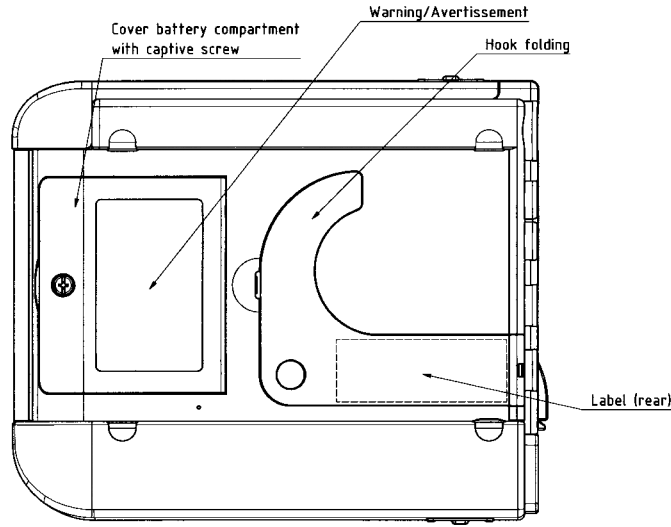
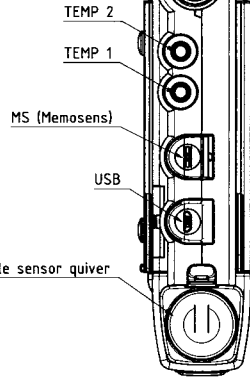


Hazardous (Classified) Location
 Portavo 90*X *, Battery Powered pH and Conductivity Meter
 Intrinsically Safe Ex II 1 G Ex ia IIC T4/T3 Ga
 IECEx DEK 12.0059 / DEKRA 12 ATEX 0094

MEAS (analog: pH or conductivity or digital: Memosens)



WARNING - To prevent ignition of hazardous atmosphere, batteries must only be changed in an area known to be nonhazardous. Use only one of the following battery types and do not mix new with used batteries:

AVERTISSEMENT - Afin de prévenir l'inflammation d'atmosphères dangereuses, ne changer les batteries que dans des emplacements désignés non dangereux. Employez uniquement un des types des piles suivants et n'utilisez pas en même temps des piles neuves et des piles usagées:

| Batteries (4x each) Piles (par lot de 4) | Temperature class Classe de température | Ambient temperature range Plage de température |
|---|--|---|
| 4 x Duracell MN1500* | T4 | -10 °C ≤ Ta ≤ +40 °C |
| 4 x Energizer E91 | T3 | -10 °C ≤ Ta ≤ +50 °C |
| 4 x Power One 4106 | T3 | -10 °C ≤ Ta ≤ +50 °C |
| 4 x Panasonic Pro Power LR6 | T3 | -10 °C ≤ Ta ≤ +50 °C |

* The Duracell Plus Power 4ct (EAN: 5000394017641) is a type MN1500 battery.
 La Duracell Plus Power 4ct (EAN: 5000394017641) est une pile du type MN1500.

WARNING - Substitution of components may impair intrinsic safety.

AVERTISSEMENT - La substitution de composants peut compromettre la sécurité intrinsèque.

| | In type of protection intrinsic safety, with the following maximum values | | | | | | | | | | | |
|---|---|---------|---------|---------|---------|-----------|------|-----------|------|-----------|------|-----------------------|
| | Uo (V) | Io (mA) | Po (mW) | CI (μF) | LI (mH) | Ex ia IIC | | Ex ia IIB | | Ex ia IIA | | |
| pH Measuring (MEAS) | 4.1 | 0.1 | 0.1 | 0 | 0 | 100 | 1000 | 1000 | 1000 | 1000 | 1000 | |
| Temperature Measuring (TEMP 1, TEMP 2) | 4.1 | 4.4 | 4.6 | 0.123 | 0 | 99 | 1000 | 999 | 1000 | 999 | 1000 | Linear characteristic |
| pH / Temperature Measuring (MEAS, TEMP 1, TEMP 2) | 7.2 | 4.4 | 4.6 | 0.123 | 0 | 13.3 | 1000 | 239 | 1000 | 999 | 1000 | Linear characteristic |
| Conductivity Measuring (MEAS) | 7.2 | 36 | 36.9 | 0.0012 | 0 | 13.4 | 27 | 239 | 109 | 999 | 219 | Linear characteristic |
| Conductivity / Temperature Measuring (MEAS, TEMP 1, TEMP 2) | 7.2 | 40.6 | 41.7 | 0.124 | 0 | 13.3 | 22 | 239 | 88 | 999 | 176 | Linear characteristic |
| Memosens Interface (1) (MS and/or MEAS) | 4.6 | 113 | 130 | 3.62 | 0 | 96 | 2.8 | 996 | 11 | 996 | 22 | Linear characteristic |
| USB - Interface (2) (Micro USB-B) | | | | | | | | | | | | Um = 250 V |

(1) or for connection of Memosens measuring cable type CA/MS-***X**, BVS 09 ATEX E 083 E
 or for connection of Memosens measuring cable type CYK 10-G**1, BVS 04 ATEX E 121 X
 or comparable

(2) Only for use outside of an explosion hazardous area and with no sensor circuit lead in an explosion hazardous area.

The pH, Temperature and the Conductivity Measuring Loop, the Memosens Interface and the USB-Interface are galvanically connected.

ATEX/IECEx

| | | | | | | | |
|--|--|------------|--|-------------|--|---|--|
| Zul. Abweichungen für Maße ohne Toleranzangabe | | Datum | | Name | | Benennung | |
| | | 03.08.2012 | | dam | | Portavo 90* X * | |
| Bearbeitet | | Geprüft | | Freigegeben | | Control drawing | |
| | | | | | | Zichungsschauer | |
| | | | | | | 209.009-110 | |
| | | | | | | Blatt 1 | |
| | | | | | | 2 Bl. | |
| 3 AM-206: Batterieaufdruck | | 16.12.20 | | kan | | | |
| 2 Seite 2 FH | | 08.05.15 | | dam | | | |
| 1 Zulass. Nr., Werte | | 25.09.12 | | dam | | | |
| Nr. Änderungen | | Datum | | Bearb. | | Freigebe | |
| | | | | | | Knick | |
| | | | | | | Elektronische Messtechnik GmbH & Co. KG | |

The reproduction, distribution and utilization of this document as well as the communication of its contents to others without explicit authorization is prohibited.

Weitergabe sowie Vervielfältigung dieses Dokuments, Verwertung und Mitteilung seines Inhalts sind verboten, soweit nicht ausdrücklich erlaubt.