

Manufacturer's Declaration

Document No.**TX250303B****Subject****Manufacturer's declaration of conformity of the process-wetted components of the automatic systems consisting of Protos, Unical, retractable fittings and pH sensors****with the European Regulations**

- (EC) No. 1935/2004
- (EU) No. 10/2011
- (EU) No. 2023/2006 and

with the German law

- LFGB § 31

Confirmation

Knick confirms that the process-wetted materials of the product components listed in Table 1 and shown in Figure 1 and their manufacture and processing meet the requirements of the following regulations and laws:

- Regulation (EC) No 1935/2004 of the European Parliament and of the Council of 27 October 2004 on materials and articles intended to come into contact with food
- Commission Regulation (EC) No 10/2011 of the Commission of 14 January 2011 on plastic materials and articles intended to come into contact with foodstuffs
- Commission Regulation (EC) No. 2023/2006 of 22 December 2006 on good manufacturing practice for materials and articles intended to come into contact with foodstuffs
- Food and Feed Code - LFGB, § 31 Transfer of substances to foodstuffs

Table 1: Components and materials that come into contact with the process.

Process-contacted Component	Subcomponent	Process-contacted Material	Raw Material
Sensor Typ SE555X/2*	Sensor shaft	Glass	SiO ₂
	pH-Membrane	Glass	SiO ₂ und weitere Oxide
	Diaphragm	Ceramic	ZrO ₂
	O-Ring	Synthetic rubber	EPDM
Retractable Fittings WA130H* / WA131(M)H* (see Fig. 1)	Prozess Adaption	Metal	1.4404, 1.4435
	Immersion Tube	Metal	1.4404, 1.4435
	Gaskets	Elastomer	EPDM, FKM, FFKM
Gasket Sets	Gaskets	Elastomer	EPDM, FKM, FFKM

Manufacturer's Declaration

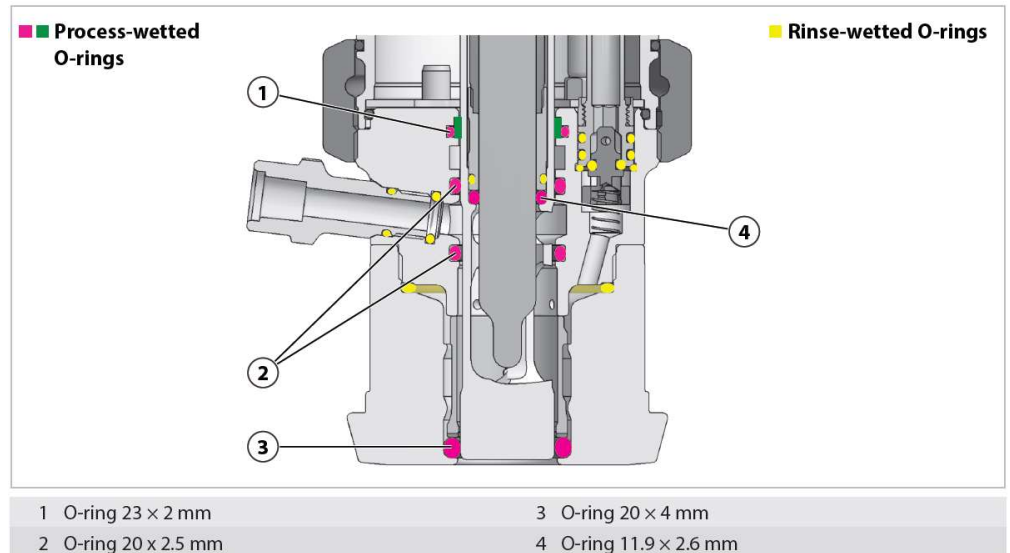


Fig. 1: Example cross-sectional drawing of the lower section of the Sensogate WA130H*/WA131(M)H* series retractable fittings with indication of the process-wetted O-rings (1-4).

Evaluation of the Sensor

a) Glass

The glass of the sensor does not contain lead (Pb, CAS 7439-92-1) and no cadmium (Cd, CAS 7440-43-9).

b) Diaphragm

The Ceramic des Diaphragmas does not contain lead (Pb, CAS 7439-92-1) and no cadmium (Cd, CAS 7440-43-9).

Evaluation of the Retractable Fitting

a) Metal

The European Committee for Food Contact Material and Articles (CD-P-MCA), EDQM, 2nd Edition 2024, ISBN 978-92-871-9436-7, has evaluated stainless steel alloys with regard to health risks in contact with food. It does not identify any particular health risks, even for alloys containing nickel and chromium such as alloy 1.4435.

b) Gaskets

The process-wetted gaskets used meet the requirements of Regulation (EC) No. 1935/2004.