

ARF 201 Flow-Through Fitting

Molded plastic flow-through fitting with one sensor location

Compact flow-through fitting for one sensor, measurement preferably in bypass, also for corrosive media.

An adapter allows connecting sensors using different mounting techniques.

Material: polypropylene; process connection: female G 1/4", or NPT 1/4".

Applications

Moderately contaminated process media

Facts and Features

- Material: polypropylene
- For sensors with G 1" or NPT 1" connection
- With adapter for sensors with PG 13.5 connection
- Flow direction 90°
- Process connection via G 1/4" female thread or NPT 1/4"

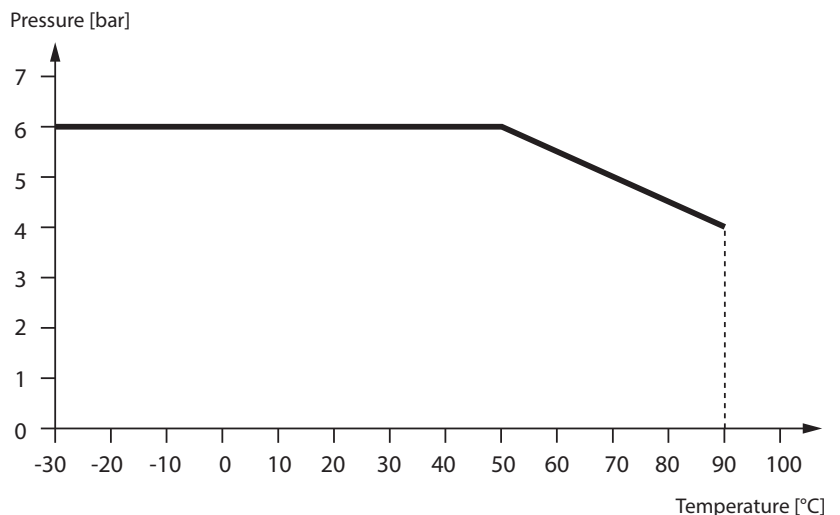
Product Range

		Order No.
ARF 201 flow-through fitting	G 1", PP-H, G 1/4" female thread	ARF 201
	NPT 1", PP-H, NPT 1/4" female thread	ARF 201/NPT

Specifications

Material:	PP-H
Process connection:	Female thread G 1/4" or NPT 1/4"
Pressure:	Max. 6 bar (50 °C), 4 bar (90 °C)
Temperature:	0 ... 90 °C
Sensor locations:	1 x G 1" incl. gasket 30 x 4 (EPDM) 1 x NPT 1"
Sensors:	1 x PG 13.5 with ZU 0323 adapter For 12-mm sensors with PG 13.5 or sensors with G 1"

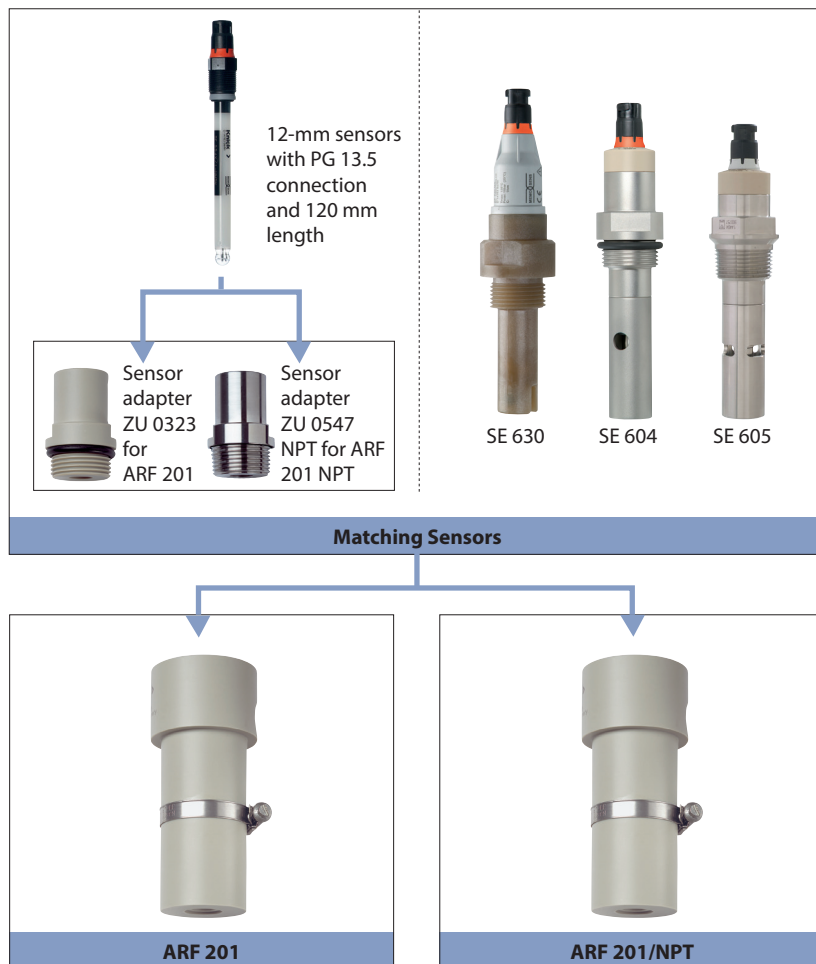
Pressure/Temperature Diagram



ARF 201 Flow-Through Fitting

Modular System

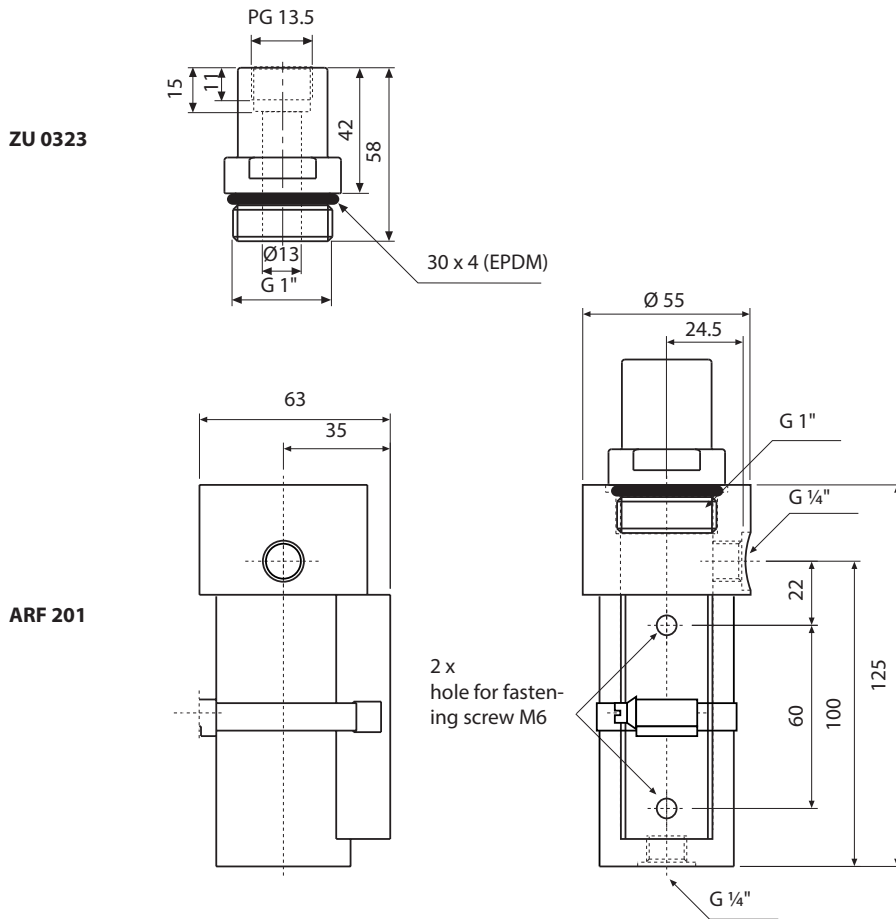
The ZU 0323 sensor adapter for ARF 201 flow-through fittings is available if 12-mm sensors must be used.



Accessories

			Order No.
Adapter for ARF 201	For sensors	with PG 13.5 Material: PP-H Gasket: EPDM 30 x 4	ZU 0323
Adapter for ARF 201/ NPT	For sensors	with PG 13.5 Material: 1.4571 Connection: NPT 1" thread	ZU 0547/NPT

Dimension Drawing



ARF 201 Flow-Through Fitting

Dimension Drawing

