

The reproduction, distribution and utilization of this document as well as the communication of its contents to others without explicit authorization is prohibited

Weitergabe sowie Vervielfältigung dieses Dokuments, Verwertung und Mitteilung seines Inhalts sind verboten, soweit nicht ausdrücklich erlaubt.

2-Wire Transmitter Stratos® Pro Type A20.X... or A21.X... (intrinsically safe apparatus)

IECEX IECEx KEM 08.0020 ATEX KEMA 08 ATEX 0100

Ex ia IIC T4 Ga or
Ex ib [ia Ga] IIC T4 Gb or
Ex ia IIIC T85°C Da or
Ex ib [ia Da] IIIC T85°C Db or
Ex ia tb [ia IIIC Da] IIIA T85°C Db

II 1G Ex ia IIC T4 Ga or
II 2(1)G Ex ib [ia Ga] IIC T4 Gb or
II 1D Ex ia IIIC T85°C Da or
II 2(1)D Ex ib [ia Da] IIIC T85°C Db or
II 2(1)D Ex ia tb [ia IIIC Da] IIIA T85°C Db

2-Wire Transmitter Stratos® Pro Type A20.B... or A21.B... (non-incendive apparatus)

IECEX IECEx KEM 08.0020 ATEX SC 91218B

Ex ic IIC T4 Gc or
Ex nA IIC T4 Gc or
Ex ic IIIC T85°C Dc or
Ex ic tc [ic IIIC] IIIB T85°C Dc

II 3G Ex ic IIC T4 Gc or
II 3G Ex nA IIC T4 Gc or
II 3D Ex ic IIIC T85°C Dc or
II 3D Ex ic tc [ic IIIC] IIIB T85°C Dc

Hazardous Classified Area

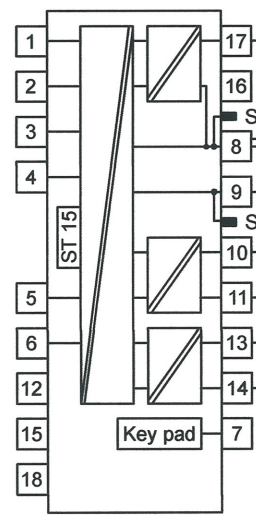
Unclassified Area

RS 485 (InduCon/Memosens)
Terminals 1, 2, 3, 4

MK interface
ST 15

Current input
Terminals 5, 6

Terminals 12, 15, 16, 18
not connected



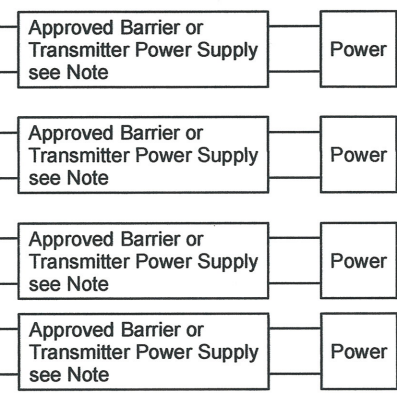
Current output 2, Terminals 8, 17

Current output 1/HART, Terminals 8, 9, ST 1, ST 2

OK inputs HOLD, CONTROL, Terminals 10, 11 and 13, 14

EP Terminal 7
For equipotential bonding

Associated Apparatus



WARNING - SUBSTITUTION OF COMPONENTS MAY IMPAIR INTRINSIC SAFETY
WARNING - DO NOT SEPARATE MODULE WHEN ENERGIZED

Notes

- Control equipment connected to the associated apparatus must not use or generate more than 250 V.
- At the time of installation mark the selected type of protection on the equipment marking.

	Type of protection intrinsic safety Ex ia IIC or Ex ib IIC or Ex ic IIC only for connection to intrinsically safe circuits,						Type of protection intrinsic safety Ex ia, Ex ib									
	Ui, Vmax (V)	Ii, Imax (mA)	Pi, Pmax (mW)	Ci (nF)	Li (µH)		IIC		IIB		IIA					
						Uo, Voc (V)	Io, Isc (mA)	Po (mW)	Co, Ca (µF)	Lo, La (mH)	Co, Ca (µF)	Lo, La (mH)	Co, Ca (µF)	Lo, La (mH)	Ci (µF)	Li (µH)
Current output 1 / HART (Terminals 8, 9, ST1, ST2)	30	100	800	5.3	2.5											
Current output 2 (Terminals 8, 17)	30	100	800	5.3	2.5											
Current input (Terminals 5, 6)	30	100	800	12	0											
OK input HOLD (Terminals 10, 11)	30	100	1000	0	0											
OK input CONTROL (Terminals 13, 14)	30	100	1000	0	0											
RS 485 (InduCon/Memosens) (Terminals 1, 2, 3, 4) Linear characteristic	5	124	155	83.2	2	1000	8.5	1000	16	10.7	1.2					
RS 485 (InduCon/Memosens) (Terminals 1, 2, 3, 4) Linear characteristic	5	124	155	1000	5	1000	20	1000	50	10.7	1.2					
MK interface	only for connection to a measuring module MK-..., belonging to Stratos® Pro Type A... system															
EP (Terminal 7)	For equipotential bonding															

Simultaneous connection of a measuring module MK-... and an InduCon/Memosens measuring system is not permitted.

IS Safe galvanic isolation up to 60 V

Verteiler: FUL (2x)	Zul. Abweichungen für Maße ohne Toleranzangabe	Maßstab	
		Halbzeug	
		Benennung	Stratos® Pro A2..X..., A2..X... Control drawing A2..B..., 2..B...
		Zeichnungsnummer	212.002-100
		Blatt	1
			7 Bl.
Nr.	Änderungen	Datum	Bearb. FGL KON
			Elektronische Messgeräte GmbH & Co. KG
6	Normenakt., page 7 BUS	22.09.15	dam
5	Normenaktualisierung	06.09.12	dam
4	pages 3/4 INMETRO	05.05.11	dam
3	nL specifications	03.03.11	dam
2	Zulassungskennzeichnung	22.06.10	dam
1	A2..B..	25.08.09	dam

