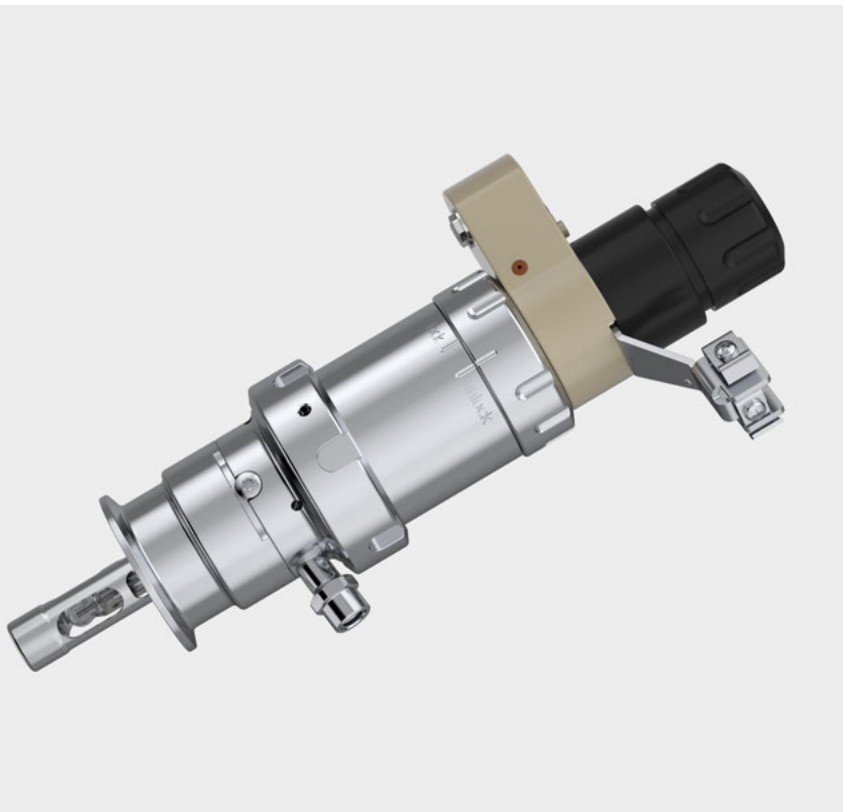


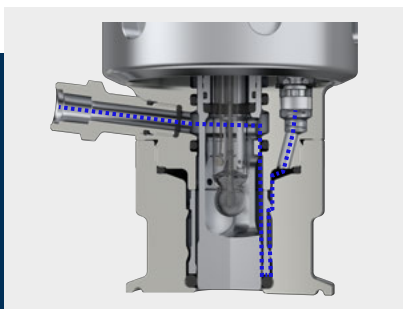
# SensoGate WA130H

## Modular Retractable Fitting with Pneumatic Drive for Hygienic Applications



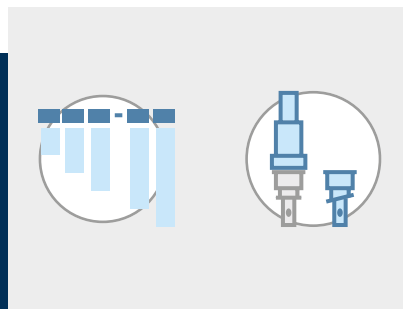
CIP/SIP capable retractable fitting for sterile processes in the food, pharmaceutical, and biotechnology industries

SensoGate WA130H is a hygienic retractable fitting for 225 mm pH, ORP, conductivity, and oxygen sensors. It enables sensor replacement during ongoing processes, as well as automatic cleaning and calibration in conjunction with Unical and Unclean control systems. The special lock principle safely isolates the process at any time, even during movement. The SensoLock safety function prevents retraction without the sensor. The fitting can be adapted to all common hygienic process connections.



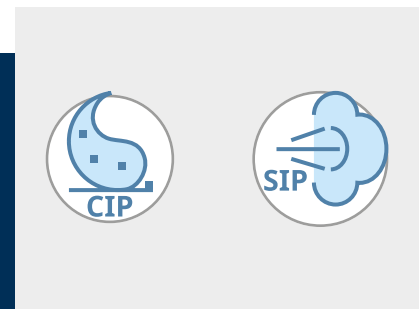
### Hygienic Design

- Consistent design with no gaps or dead spaces
- Optimized flow control for cleaning sensors and seals
- Electropolished process-wetted surfaces



### Variable System Modification

- Common hygienic process connections
- Different sensors and seal materials possible
- Special versions on request



### Tested CIP and SIP Capability

- High resistance to cleaning media and superheated steam
- Optimized inner contours for best possible cleaning
- CIP and SIP capability independently certified

## Specifications

### Process Conditions

|                                     |                                 |
|-------------------------------------|---------------------------------|
| Permitted process temperature       | 0... 140 °C (32... 284 °F)      |
| Permitted relative process pressure | -0.9... 10 bar (-13... 145 psi) |

### Service Conditions (Static)

|                             |                                 |
|-----------------------------|---------------------------------|
| Permitted temperature range | 0...40 °C (32...104 °F)         |
| Permitted relative pressure | -0.9... 16 bar (-13... 232 psi) |

### Conditions for Supplied Media

|   |                              |
|---|------------------------------|
| Permitted temperature range   | 5... 60 °C (41 ... 140 °F)   |
| Permitted temperature range for using a PEEK media connection with integrated connection for additional media (connection option C) | 135 °C (275 °F)              |
| Permitted pressure  | 6 bar (87 psi)               |
| Permitted sensor control pressure   | 4... 7 bar (58... 100.5 psi) |

### Ambient Conditions

|                     |                             |
|---------------------|-----------------------------|
| Ambient temperature | -10... 70 °C (14... 158 °F) |
| IP protection       | IP66                        |

### Materials

|                    |                           |
|--------------------|---------------------------|
| Enclosure material | Stainless steel, PP, PEEK |
| Wetted materials   | → <i>Product Code</i>     |

### Sensors and Process Interfaces

|                     |                       |
|---------------------|-----------------------|
| Sensors             | → <i>Product Code</i> |
| Process connections | → <i>Product Code</i> |
| Immersion depths    | → <i>Product Code</i> |

### Connections for Auxiliary Media

|  |   |
|--|---|
| Compressed air for pressurized sensors             | Hose insert for hoses with inside diameter of 6 mm; Pressure in sensor pressure chamber 0.5...1 bar (7.25... 14.5 psi) via max. process pressure of 7 bar (101.5 psi) |
| Outlet for rinsing, cleaning, or calibration media | Hose insert for hoses, EPDM, 3 m with inside diameter of 8 mm   |
| Control air, rinsing, and calibration media        | Unical 9000 multiplug   |

### Compressed Air Supply

|  |   |
|--|---|
| Standard   | In accordance with ISO 8573-1:2001                  |
| Quality class  | 3.3.3 or 3.4.3                                      |
| Solid contaminants                                       | 3 (max. 5 µm, max. 5 mg/m <sup>3</sup> )            |
| Water content for temperatures > 15 °C (59 °F)           | Class 4, pressure dew point 3 °C (37.4 °F) or lower |
| Water content for temperatures 5... 15 °C (41 ... 59 °F) | Class 3, pressure dew point -20 °C (-4 °F) or lower |
| Oil content  | Class 3 (max. 1 mg/m <sup>3</sup> )                 |

### General Information

|        |                                 |
|--------|---------------------------------|
| Weight | Depends on material and version |
|--------|---------------------------------|

**Product Code**

| <b>Basic Unit<sup>1)</sup></b> |   | <b>WA130H</b> | <b>-</b> | <b>-</b> | <b>-</b> | <b>-</b> | <b>-</b> | <b>-</b> | <b>-</b> | <b>-</b> | <b>-</b> | <b>-</b> | <b>-</b> |
|--------------------------------|---|---------------|----------|----------|----------|----------|----------|----------|----------|----------|----------|----------|----------|
| Explosion protection           | ATEX Zone 0   |               | X        |          |          |          |          |          |          |          |          |          |          |
|                                | Without   |               | N        |          |          |          |          |          |          |          |          |          |          |
| Sensor                         | Sensor ø12 mm with PG13.5   |               | 0        |          |          |          |          |          |          |          |          |          |          |
|                                | pH sensor ø12 mm with pressurization, sensor pressure chamber for compressed air supply |               | 1        |          |          |          |          |          |          |          |          |          |          |
|                                | Optical sensor ø12 mm with PG13.5   |               | 4        |          |          |          |          |          |          |          |          |          |          |
| Seal material                  | EPDM - FDA  |               |          | E        |          |          |          |          |          |          |          |          |          |
|                                | FKM - FDA   |               |          | F        |          |          |          |          |          |          |          |          |          |
|                                | FFKM/EPDM-FDA <sup>2)</sup>   |               |          | G        |          |          |          |          |          |          |          |          |          |
|                                | FFKM - FDA  |               |          | H        |          |          |          |          |          |          |          |          |          |
|                                | EPDM - FDA - USP VI   |               |          | U        |          |          |          |          |          |          |          |          |          |
|                                | FFKM - FDA - USP VI   |               |          | W        |          |          |          |          |          |          |          |          |          |
| Wetted materials <sup>3)</sup> | 1.4404/1.4404/1.4404  |               |          |          | H        |          |          |          |          |          |          |          |          |
| Process connections            | Ingold socket, 25 mm  |               |          |          |          | H 0      |          |          |          |          |          |          |          |
|                                | Ingold socket, hygienic, 25 mm, groove 29 mm  |               |          |          |          | H 1      |          |          |          |          |          |          |          |
|                                | Dairy pipe DN 40  |               |          |          |          | C 0      |          |          |          |          |          |          |          |
|                                | Dairy pipe DN 50  |               |          |          |          | C 1      |          |          |          |          |          |          |          |
|                                | Dairy pipe DN 65  |               |          |          |          | C 2      |          |          |          |          |          |          |          |
|                                | Dairy pipe DN 80  |               |          |          |          | C 3      |          |          |          |          |          |          |          |
|                                | Dairy pipe DN 100   |               |          |          |          | C 4      |          |          |          |          |          |          |          |
|                                | Clamp 1.5"  |               |          |          |          | J 1      |          |          |          |          |          |          |          |
|                                | Clamp 2"  |               |          |          |          | J 2      |          |          |          |          |          |          |          |
|                                | Clamp 2.5"  |               |          |          |          | J 3      |          |          |          |          |          |          |          |
|                                | Clamp 3"  |               |          |          |          | J 4      |          |          |          |          |          |          |          |
|                                | Clamp 3.5"  |               |          |          |          | J 5      |          |          |          |          |          |          |          |
|                                | Clamp 2", angled  |               |          |          |          | J G      |          |          |          |          |          |          |          |
|                                | Clamp 1.5", angled  |               |          |          |          | J F      |          |          |          |          |          |          |          |
|                                | BioControl DS 50  |               |          |          |          | L 1      |          |          |          |          |          |          |          |
|                                | BioControl DS 65  |               |          |          |          | L 2      |          |          |          |          |          |          |          |
|                                | Clamp 2.5", angled  |               |          |          |          | J K      |          |          |          |          |          |          |          |
|                                | Varivent (≥ DN 50)  |               |          |          |          | V 1      |          |          |          |          |          |          |          |
|                                | Varivent (≥ DN 65 short, ≥ DN 80 long)  |               |          |          |          | V 2      |          |          |          |          |          |          |          |
| Varivent, angled 12° (≥ DN 50) |   |               |          |          | V 4      |          |          |          |          |          |          |          |          |
| Immersion depth                | Short   |               |          |          |          |          |          |          | A        |          |          |          |          |
|                                | Long  |               |          |          |          |          |          |          | B        |          |          |          |          |
| Connection                     | PEEK media connection   |               |          |          |          |          |          |          |          | B        |          |          |          |
|                                | PEEK media connection with integrated connection for an additional medium               |               |          |          |          |          |          |          |          | C        |          |          |          |
|                                | PEEK media connection, calibration chamber with connection for an additional medium     |               |          |          |          |          |          |          |          | D        |          |          |          |
| Special version                | Without   |               |          |          |          |          |          |          |          |          |          | 0        | 0        |
|                                | Equipment with special grease (provided by customer)                                    |               |          |          |          |          |          |          |          |          |          | 0        | 1        |
|                                | Customer-specific special datasheet   |               |          |          |          |          |          |          |          |          |          | 0        | F        |
|                                | Immersion tube with 2 ligaments for paste-like media                                    |               |          |          |          |          |          |          |          |          |          | 0        | P        |

1) Hygienic design, basic unit with pneum. drive incl. 2 limit switches and 2 rinse connections, stainless steel version

2) Process-wetted seals/rinse-wetted seals

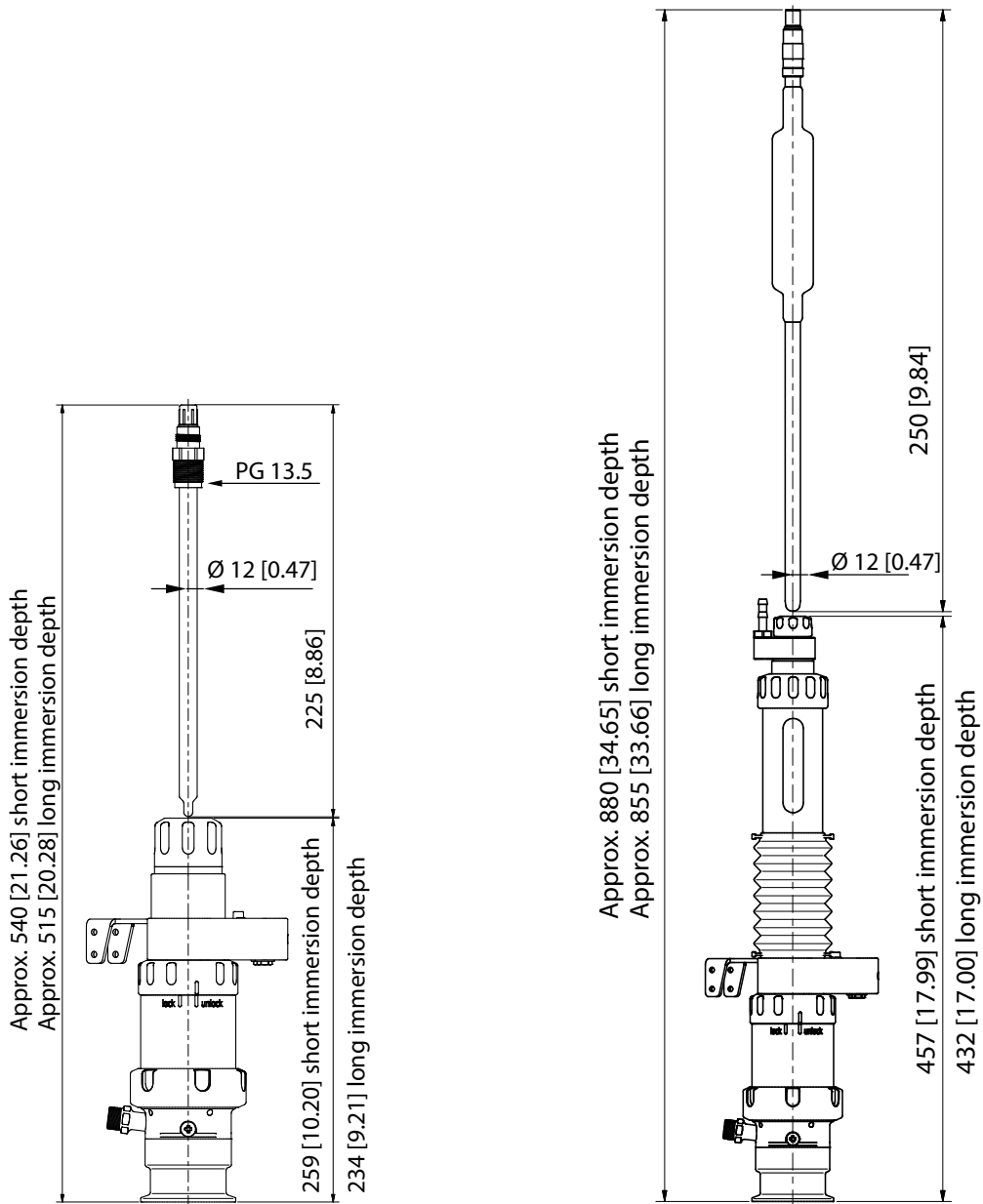
3) Material combinations: Calibration chamber process-wetted part/calibration chamber rinse-wetted part/immersion tube.

**Dimension Drawings**

**Note:** All dimensions are given in millimeters [inches].

Retractable Fitting for Solid Electrolyte Sensor,  
Short and Long Immersion Depths

Retractable Fitting for Liquid Electrolyte Sensor,  
Short and Long Immersion Depths



106067 TB-215.001-KNEN01 2026-05-18

**Knick**  
Elektronische Messgeräte  
GmbH & Co. KG

Beuckestraße 22, 14163 Berlin  
Germany  
Phone: +49 30 80191-0  
Fax: +49 30 80191-200  
info@knick.de • www.knick-international.com

Subject to change.